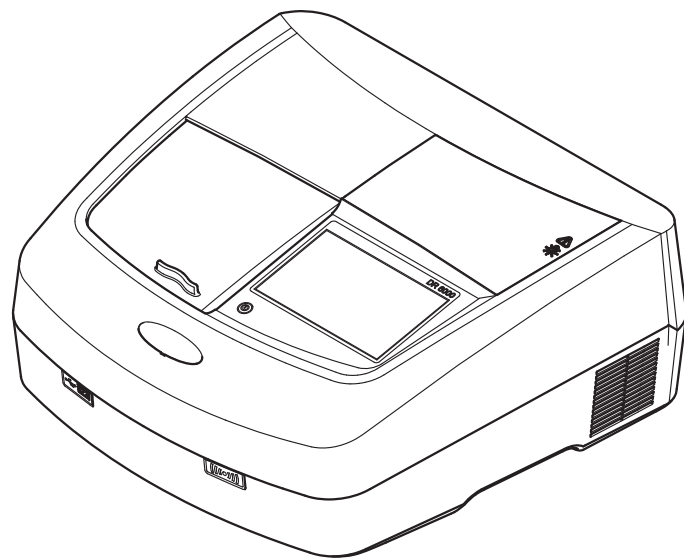




DOC022.97.90368

DR 6000

04/2013, Edition 3



Basic User Manual	en
Manual básico del usuario	es
Manuel d'utilisation de base	fr
基本ユーザー マニュアル	ja
기본 사용 설명서	ko
Manual do utilizador básico	pt
基本用户手册	zh


English	3
Español	31
Français	59
英語	87
한국어	115
Português	141
英语	169

Technical data

Changes reserved!

Performance specifications	
Operating mode	Transmittance (%), Absorbance and Concentration
Source lamp	Deuterium lamp (UV) and halogen lamp (visual range)
Wavelength range	190–1100 nm
Wavelength Accuracy	± 1 nm (wavelength range 200–900 nm)
Wavelength reproducibility	< 0.1 nm
Wavelength resolution	0.1 nm
Wavelength calibration	Automatic
Wavelength selection	Automatic, based on method selection
Scanning speed	900 nm/min (in 1-nm steps)
Spectral bandwidth	2 nm (1.5–2.9 nm at 656 nm, 1 nm for D2 line)
Photometric measuring range	± 3 Abs (wavelength range 200–900 nm)
Photometric accuracy	5 mAbs at 0.0–0.5 Abs < 1% at 0.50–2.0 Abs at 546 nm
Photometric linearity	< 0.5% to 2 Abs ≤ 1% at > 2 Abs with neutral glass at 546 nm
Stray light	KI solution at 220 nm < 3.3 Abs / < 0.05%
Photometric drift against blank reading (30-min baseline stable)	190–199 nm +/- 0.0100 Abs 200–349 nm +/- 0.0054 Abs 350–899 nm +/- 0.0034 Abs 900–1100 nm +/- 0.0100 Abs

Performance specifications	
Long-term stability	Zero point at 546 nm for 10 hours ≤ 0.0034 Abs
Data log	5000 measurement values (result, date, time, sample ID, user ID) 50 scans, 50 time scans
User programs	200
Physical and environmental specifications	
Width	500 mm (19.69 in)
Height	215 mm (8.46 in)
Depth	460 mm (18.11 in)
Weight	11 kg (24.25 lb)
Ambient operating requirements	10–40 °C (50–104 °F), maximum 80% relative humidity (without condensate formation)
Ambient storage requirements	–25–60 °C (–13–140 °F), maximum 80% relative humidity (without condensate formation)
Additional technical data	
Power connection	100–240 V/50–60 Hz
Power consumption	150 VA
Fuse	T 2A H; 250 V (2 units)
Interfaces	Use only shielded cable with maximum length of 3 m: 2x USB type A 1x USB type B Use only shielded cable (for example STP, FTP, S/FTP) with maximum length of 20 m: 1x Ethernet
Housing rating	IP20 with closed cell compartment cover

Performance specifications	
Protection class	Class I
	This product has been tested to the requirements of CAN/CSA-C22.2 No. 61010-1, second edition, including Amendment 1, or a later version of the same standard incorporating the same level of testing requirements.
Pollution Degree	2
Installation Category	II
Maximum Altitude	2000 m (6560 ft)

General information

Safety notes

Read the entire user manual carefully before you unpack, set up or operate the device. Observe all danger and warning notes. Non-observance could lead to serious injury of the operator or to damage to the device.

To make sure that the protection provided by this instrument is not impaired, do not use or install this instrument in any manner other than that specified in these operating instructions.

DANGER

Indicates a potentially or imminently hazardous situation that, if not avoided, can result in death or serious injury.

WARNING

Indicates a potentially or imminently dangerous situation that, if it is not avoided, can lead to death or to serious injuries.

CAUTION

Indicates a possible dangerous situation that can have minor or moderate injuries as the result.




WARNING

Indicates a situation that, if it is not avoided, can lead to damage to the device. Information that requires special emphasis.

Note: Information that supplements aspects from the main text.

Warning labels

Observe all marks and labels that are attached to the device. Non-observance may result in personal injury or damage to the device. For symbols attached to the device, corresponding warning notes are found in the user manual.

	This symbol may be attached to the device and references the operation- and/or safety notes in the user manual.
	This symbol on the device is an indication of hot surfaces.
	Electrical equipment marked with this symbol may as of August 12, 2005 Europe-wide no longer be disposed of in unsorted house or industrial waste. According to valid provisions (EU Directive 2002/96/EC), from this point consumers in the EU must return old electrical devices to the manufacturer for disposal. This is free for the consumer. Note: <i>Contact the manufacturer or supplier to find out how you can return worn out devices, electrical accessories supplied by the manufacturer and all auxiliary articles for correct disposal or recycling.</i>

⚠ WARNING

The manufacturer is not responsible for any damages due to misapplication or misuse of this product including, without limitation, direct, incidental and consequential damages, and disclaims such damages to the full extent permitted under applicable law.

The user is solely responsible to identify critical application risks and install appropriate mechanisms to protect processes during a possible equipment malfunction.

Safety around source lamps

The source lamps are operated at high temperatures.

To avoid the risk of electrocution, make sure the instrument is disconnected from the power source before changing the lamps.

⚠ CAUTION

Health hazard caused by ozone.

Hazardous levels of ozone can be generated when the UV lamp is not cooled.

⚠ WARNING

Health hazard caused by UV light.

UV-Licht can cause eye and skin damage. Protect eyes and skin from direct exposure to UV light.

Do not look directly at an energized lamp without UV safety glasses.

⚠ CAUTION

Burn hazard, allow the lamp(s) to cool down for at least 30 minutes before they are serviced/replaced.

RFID module (not available on all models)

RFID technology is a radio application. Radio applications are subject to national conditions of authorization. The use of the DR 6000 (model with RFID module) is currently permitted in the following countries: EU, CH, NO, HR, RS, MK, TR, CY, US, CA, AU, NZ. We point out that the use of the DR 6000 (model with RFID module) outside of the named regions may contravene national law. The manufacturer reserves the right also to obtain authorization in other countries. For questions about use in your area, please contact your distributor.

The DR 6000 contains an RFID module for the reception and transmission of information and data. The RFID module operates with a frequency of 13.56 MHz.

WARNING

The spectrophotometer may not be used in dangerous environments.
The manufacturer and its suppliers reject any express or indirect guarantee for use with high-risk activities.

Follow the following safety information, in addition to any local guidelines in force.

Safety information for the correct use of the instrument:

- Do not operate the instrument in hospitals or comparable establishments in the vicinity of medical equipment, such as pace makers or hearing aids.
- Do not operate the instrument near highly flammable substances, such as fuels, highly combustible chemicals and explosives.
- Do not operate the device near combustible gases, vapors or dust.
- Do not vibrate or jolt the instrument.
- The instrument can cause interference in immediate proximity to televisions, radios and computers.
- Do not open the instrument.
- Guarantee is voided if the instrument is not used in accordance with the guidelines present in this document.

Certification (integrated RFID module)

FCC ID: YUH-QR15HL

IC: 9278A-QR15HL

This device complies with Part 15 of the FCC rules and Industry Canada license exempt RSS standard(s).

Operation is subject to the following two conditions:

1. this device may not cause interference, and
2. this device must accept any interference, including interference that may cause undesired operation of the device.

Changes or modifications to this equipment not expressly approved by the party responsible for compliance could void the user's authority to operate the equipment.

This equipment has been tested and found to comply with the limits for a Class A digital device, pursuant to Part 15 of the FCC rules. These limits are designed to provide reasonable protection against harmful interference when the equipment is operated in a commercial environment. This equipment generates, uses and can radiate radio frequency energy and, if not installed and used in accordance with the instruction manual, may cause harmful interference to radio communications. Operation of this equipment in a residential area is likely to cause harmful interference, in which case the user will be required to correct the interference at their expense. The following techniques can be used to reduce interference problems:

1. Disconnect the equipment from its power source to verify that it is or is not the source of the interference.
2. If the equipment is connected to the same outlet as the device experiencing interference, connect the equipment to a different outlet.
3. Move the equipment away from the device receiving the interference.
4. Reposition the receiving antenna for the device receiving the interference.
5. Try combinations of the above.

Chemical and Biological Safety

DANGER

Potential danger with contact with chemical/biological substances.
Working with chemical samples, standards and reagents can be dangerous. Make yourself familiar with the necessary safety procedures and the correct handling of the chemicals before use and read and follow all relevant safety data sheets.

Normal operation of this device may require the use of chemicals or samples that are biologically unsafe.

- Observe all cautionary information printed on the original solution containers and safety data sheets prior to their use.
- Dispose of all consumed solutions in accordance with the local and national regulations and laws.
- Select the type of protective equipment suitable to the concentration and quantity of the dangerous material being used.

Product overview

The DR 6000 is a UV-VIS-spectrophotometer with a wavelength range of 190 to 1100 nm. The visible spectrum (320 to 1100 nm) is covered by a halogen lamp and a deuterium lamp produces the light in the ultraviolet spectrum (190 to 360 nm).

The instrument is supplied with a complete range of application programs and supports several languages.

The DR 6000 spectrophotometer contains the following programs and operating modes:

- Stored programs (pre-installed tests)
- Barcode Programs
- User Programs
- Favorites
- Single Wavelength
- Multi Wavelength
- Wavelength Scan
- Time course

The DR 6000 spectrophotometer provides digital readouts of concentration, absorbance and percent transmittance.

When selecting a user-generated or programmed method, the menus and prompts serve to direct the user through the test.

This menu system can also produce reports, statistical evaluations of generated calibration curves and reports on instrument diagnostic checks.

Installation

WARNING

Electrical dangers and fire hazard.
Only use the supplied power cable.

Only qualified experts may perform the tasks described in this section of the manual, while adhering to all locally valid safety regulations.

WARNING

Removable power cables must not be replaced with inadequately dimensioned power cables.

Unpacking the instrument

The DR 6000 spectrophotometer package is supplied with the following items:

- DR 6000 spectrophotometer
- Dust cover
- USB dust cover, fitted as standard
- Power cord for US and EU (when shipped to China power cord for CN)
- Universal cell adapter
- Operator RFID tag (not available on all models)
- 1 Inch cells, matched pair
- Basic DR 6000 user manual, LINK2SC user manual

Further information, detailed user manuals and documentation are available on the website of the manufacturer.

Note: *If any of these items are missing or damaged, please contact the manufacturer or a sales representative immediately.*

Operating environment

Observe the following points so that the device functions faultlessly and thus has a long service life.

- Place the device securely on an even surface. Push no objects under the device.
- Position the device so that the power cord is not impaired.
- The ambient temperature must be 10–40 °C (50–104 °F).

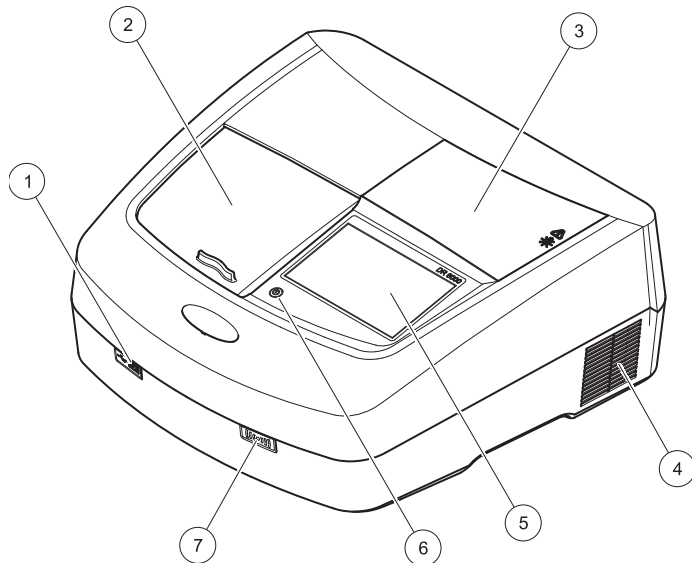
NOTICE

Protect the instrument from extreme temperatures from heaters, direct sunlight and other heat sources.

- The relative humidity should be less than 80%; moisture should not condense on the instrument.
- Leave at least a 15 cm clearance at the top and on all sides for air circulation to avoid overheating of electrical parts.
- Do not use or store the device in extremely dusty, humid or wet places.
- Keep the surface of the instrument, the cell compartment and all accessories clean and dry at all times. Immediately remove splashes or spilt materials on or in the instrument (refer to [Maintenance, page 26](#)).

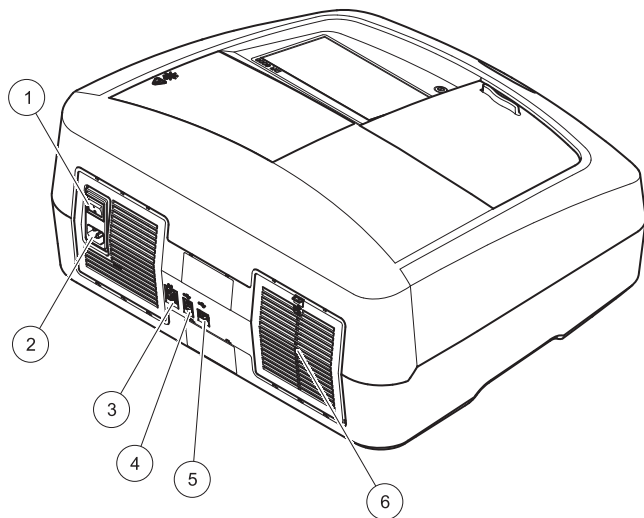
Front and back view

Figure 1 Front view



1	USB port type A	5	Touch screen
2	Cell compartment cover	6	Power save key
3	Lamp compartment cover	7	RFID module (not available on all models)
4	Fan outlet		

Figure 2 Back view



1	On/off switch	4	USB port type B
2	Socket for power cable	5	USB port type A
3	Ethernet port	6	Filter pad cover

Power connections

NOTICE

Use only a grounded socket for the connection of this device to the power supply. If you are not sure if the sockets are grounded, have this checked by a qualified electrician. The power plug serves in addition to the power supply to isolate the device quickly from the power source where necessary. During the disconnection from the power source it must be made sure that the correct power plug is pulled (for example by labeling the sockets). This is recommended for long-term storage and can prevent potential dangers in the event of a fault. Therefore make sure that the socket to which the device is connected is easy to reach by each user at all times.

⚠ WARNING

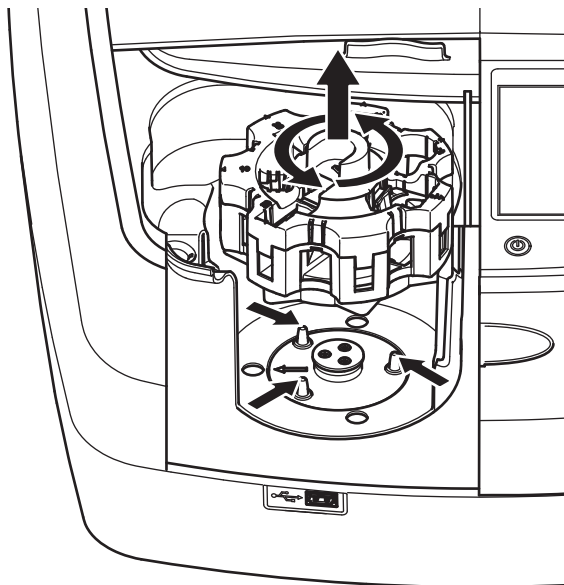
Electrical dangers and fire hazard.
Only use the supplied power cable.

1. Plug the power cable into the back of the instrument ([Back view, page 9](#)).
2. Insert the plug of the power cable into a grounded mains socket (100–240 V~ / 50–60 Hz).
3. Switch the power button to "On" to turn on the instrument ([Back view, page 9](#)).

How to position the universal cell adapter

1. Open the cell compartment.
2. Raise the universal cell adapter by approx. 1 cm.
3. Rotate the universal cell adapter such that the guide of the required cell profile faces left toward the cell compartment (1).
4. Press the universal cell adapter down until it snaps into place.

Figure 3 How to position the universal cell adapter



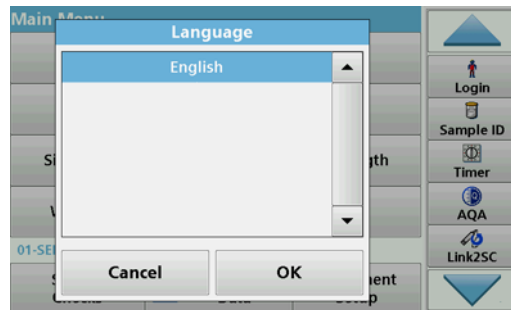
Startup

Switch on the instrument, startup process

1. Connect the power cable to a power socket.
2. Switch on the instrument via the power switch on the back.
3. The device automatically starts an approximately 45 second long startup process. The display shows the logo of the manufacturer. At the end of the startup process, a startup melody is heard.

Note: Wait approximately **20 seconds** before switching on again so as not to damage the electronics and mechanics of the instrument.

Language selection



The DR 6000 software includes several language options. The first time the instrument is switched on, the language selection screen will be shown automatically after the startup process.

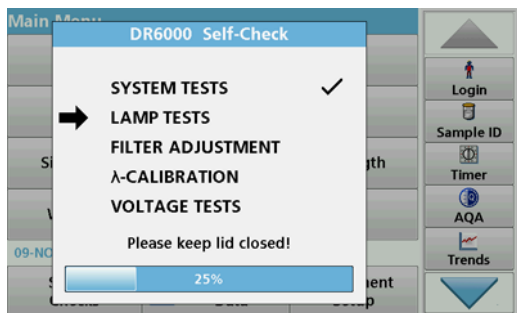
1. Select the required language.
2. Press **OK** to confirm the language selection. The self-check will then start automatically.

Change the language setting

The device works in the selected language until the option is changed.

1. Turn the instrument on.
2. During the startup process, touch the display at any point until (approximately 45 seconds) the list for the selection of a language is shown.
3. Select the required language.
4. Press **OK** to confirm the language selection. The self-check will then start automatically.

Self-check



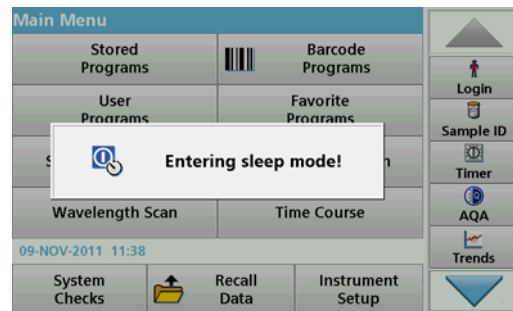
Each time the instrument is powered up, a test program begins.

This procedure, which takes approximately two minutes, checks the system, lamp, filter adjustment, wavelength calibration and voltage. Each checked function is marked accordingly on the display.

The Main Menu is displayed when diagnostics are completed.

Note: In the event of further error messages during the test program, refer to [Troubleshooting, page 27](#).

Sleep mode



The instrument can be put into sleep mode.

1. Press the power save key beneath the display.
The "Sleep mode" message is shown. The display will then switch off automatically.
2. Press the power save key again to switch back on.
The self-check will start automatically.
After that, the instrument is ready to use.

Power off the instrument

1. Press the power switch on the back of the instrument.

Standard programs

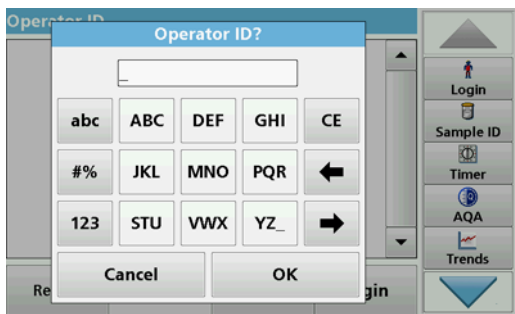
Overview

Tips for using the touch screen

The entire display reacts to touch. Make selections by tapping with a fingernail, fingertip, eraser or stylus. Do not touch the display with sharp objects (for example a ballpoint pen tip).

- Do not place anything on top of the screen, to prevent damage or scratches on the screen.
- Press buttons, words or icons to select them.
- Use scroll bars to move up and down long lists very quickly. Press and hold the scroll bar, then move up or down to move through the list.
- Highlight an item from a list by pressing it once. When the item has been successfully selected, it will be displayed as reversed text (light text on a dark background).

Use of the alphanumeric keypad



This display is used to enter letters, numbers and symbols as needed when programming the instrument. Unavailable options are disabled (grayed out). The symbols left and right on the display are described in [Table 1](#).

The designations of the center keypad change according to the selected entry function. Touch each key repeatedly until the required character is shown on the display. A space can be entered by using the underscore on the **YZ_** key.

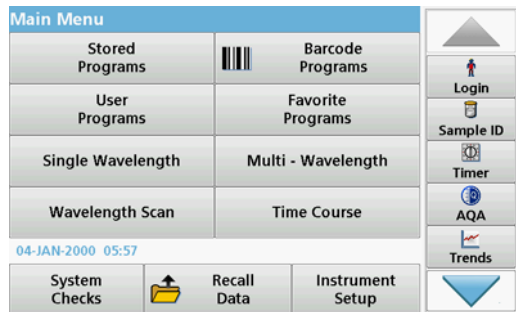
Press **Cancel** to cancel an entry, or press **OK** to confirm an entry.

Note: It is also possible to use a USB keyboard (with US keyboard layout) or a hand-held USB barcode scanner (refer to [Replacement parts, page 30](#)).

Table 1 Alphanumeric keypad

Icon / key	Description	Function
ABC/abc	Alphabetic	Toggles the character input mode between upper and lower case.
# %	Symbols	Punctuation, symbols and numerical sub- and superscripts may be entered.
123	Numeric	For entering regular numbers.
CE	Clear Entry	Clear the entry.
Left Arrow	Back key	Deletes the current character and goes back one position.
Right Arrow	Next	Navigates to the next space in an entry.

Main menu



A variety of modes may be selected from the Main Menu. The following table briefly describes each menu option.

You find a toolbar on the right in the display. Press to activate the various functions.

Table 2 Main Menu options

Option	Function
Stored Programs / Barcode Programs (HACH-LANGE programs)	<p>Stored programs are pre-programmed methods that make use of HACH chemicals and HACH-LANGE pipette tests.</p> <p>The working procedures for HACH-LANGE tests are included in the test packs. Additional information is available on the manufacturer's website.</p> <p>Further information, as well as illustrated, step-by-step process instructions for analyses using HACH programs, are available on the website of the manufacturer.</p>

Table 2 Main Menu options

Option	Function
User Programs	<p>User programs make "made to measure analysis" possible:</p> <ul style="list-style-type: none"> • Users can program methods they have developed themselves • Existing HACH- and HACH-LANGE procedures can be stored as user programs. These procedures can then be modified according to separate requirements.
Favorites	List of methods/tests created by the user to suit his own requirements.
Single Wavelength	<p>Single wavelength readings are:</p> <p>Absorbance readings: The light absorbed by the sample is measured in absorbance units.</p> <p>Transmittance reading (%): Measures the percent of the original light that passes through the sample and reaches the detector.</p> <p>Concentration readings: A concentration factor can be entered to enable the measured absorbance values to be converted into concentration values.</p>
Multi Wavelength	In the Multi Wavelength mode, absorbance (Abs) or percentage transmittance (%T) is measured at up to four wavelengths and absorbance differences and absorbance relationships are calculated. Simple conversions into concentrations can also be carried out.
Wavelength Scan	A wavelength scan shows how the light from a sample is absorbed over a defined wavelength spectrum. This function can be used to determine the wavelength at which the maximum absorbance value can be measured. The absorbance behavior is displayed graphically during the scan.
Time course	The time scan records the absorbance or % transmittance at a wavelength over a defined time.
System checks	The "System check" menu offers a number of options, including optical checks, output checks, lamp history, instrument update, service time, settings for analytical quality assurance and instrument backup.

Table 2 Main Menu options

Option	Function
Recall measurement data	Stored data can be called up, filtered, sent and deleted.
Instrument Setup	In this mode, user-specific or method-specific settings can be entered: operator ID, sample ID, date & time, sound, PC & printer, password, energy-saving mode and stored data.

Save, recall, send and delete data

The data log

The data log can store up to 5000 readings saved by the following programs:

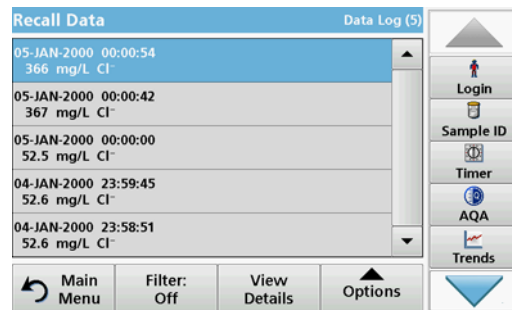
- Stored Programs,
- Barcode Programs,
- User programs,
- Favorites,
- Single Wavelength and
- Multi Wavelength.

A complete record of the analysis is stored, including the Date, Time, Results, Sample ID and Operator ID.

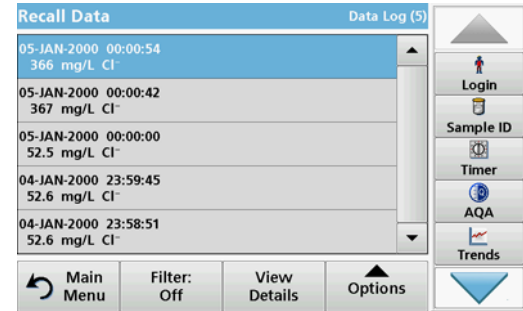
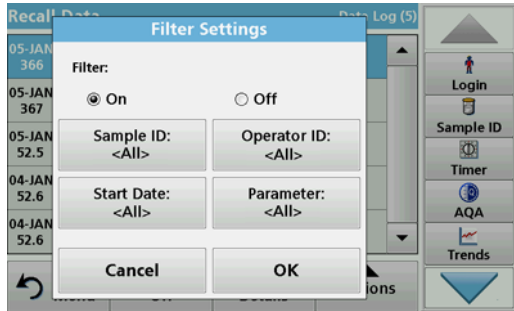
Recall stored data from the data log



1. Press **Recall Data** in the Main Menu.



2. Press **Data Log**.
A listing of the stored data is displayed.

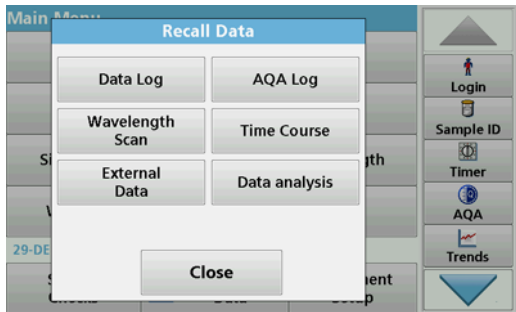


3. Press **Filter: On/Off**.
The function **Filter Settings** is used to search for specific items.
4. Activate **On**. The data can now be filtered using the following selection criteria.
 - Sample ID
 - Operator ID
 - Start Date
 - Parameter
 or any combination of the four.

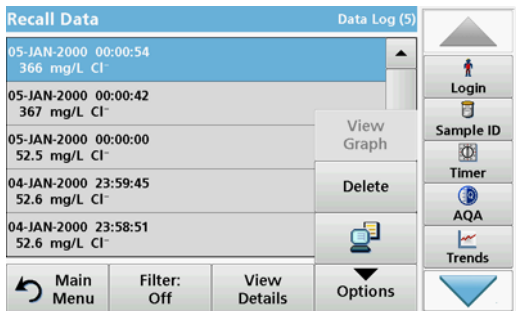
5. Press **OK** to confirm the selection.
The chosen items are listed.

Send data from the data log

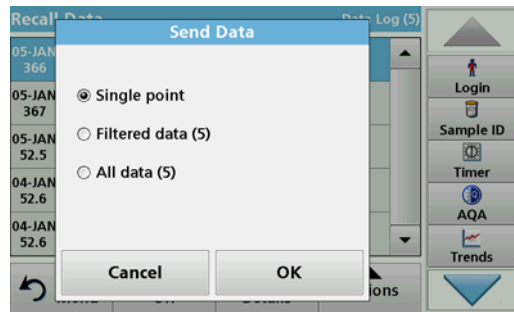
Data is sent from the internal data log as an XML (Extensible Markup Language) file or as a CSV (Comma Separated Value) file, to a directory with the name DataLog on a USB mass storage device or a network drive. The file can then be processed using a spreadsheet program. The file name has the format: DLYear-Month-Day_Hour_Minute_Second.csv or DLYear-Month-Day_Hour_Minute_Second.xml.



1. Plug the USB storage device into the USB A interface on the DR 6000 or connect the DR 6000 with a network drive.
2. Press **Recall Data** from the Main Menu.
3. Select the data category to be transferred, e.g. **Data Log**.
A list of the selected measurement data is displayed.



4. Tap on **Options** and then on the **PC & Printer** symbol.



5. Select the data to be sent.
The following options are available:
 - **Single point**: only this selected reading will be sent
 - **Filtered data**: only readings that correspond to the set filters will be sent
 - **All data**: all data in the selected data category will be sent.
6. Press **OK** to confirm.

Note: The number in parentheses is the total number of data sets assigned to this selection.

Stored Programs

Over 200 pre-programmed processes can be recalled via the **Stored Programs** menu. **Stored Programs** do not include any barcode tests.

Select a saved test/method; entering user-specific basic data

Stored Programs		
126	ADMI, Taiwan	500 ADMI
10	Aluminum Alumin.	0.800 mg/L
9	Aluminum ECR	0.250 mg/L
20	Barium	100 mg/L
30	Benzotriazole	16.0 mg/L
241	Bitter units	300
40	Boron	14.0 mg/L
50	Bromine	4.50 mg/L
55	Bromine AV	4.50 mg/L
395	CD 2	6.00 g/L

Navigation buttons: Main Menu, Select by Number, Program Options, Start

Control panel: Login, Sample ID, Timer, AQA, Trends

1. Press **Stored Programs** in the Main Menu to view an alphabetical list of stored programs with program numbers.

The "Stored Programs" list will appear.

2. Highlight the required test.

Note: Select the program by name or scroll through the list using the arrow keys. Highlight the program or press **Select by No.** to search for a specific program number. Press **OK** to confirm.

3. Press **Start** to run the program. The respective measurement window is displayed.

Note: All corresponding data (wavelength, factors and constants) is already preset.

4. Follow the chemical procedural instructions. Further information are available on the website of the manufacturer.

Note: To display the procedural instructions in the display, press the info icon. This option is not available for all tests.

Analysis of samples



1. Press **Stored Programs** and select a program.

Note: If available, the procedural instruction is indicated on the display via the Info icon.

2. Insert the zero solution cell into the cell compartment.
3. Press **Zero**.



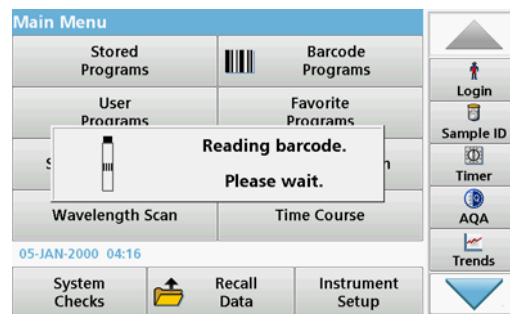
4. Remove the zero solution cell from the cell compartment. Insert the sample cell into the cell compartment.
5. Press **Read**. The result will be displayed.
*Note: To define a sample dilution, press the **Dilution** key in the toolbar.*
6. For data storage, refer to [section The data log, page 14](#).

Barcode Programs

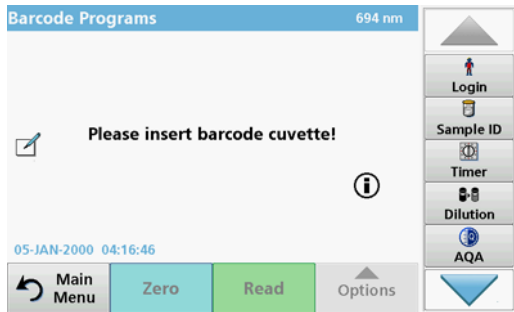
A special barcode reader in cell compartment #1 automatically reads the barcode on the 13 mm cuvette/vial as the cuvette/vial completes a single rotation. The instrument uses the barcode identification to automatically set the correct wavelength for the analysis and calculates the result immediately with the help of stored factors.

In addition, readings are recorded at 10 different positions during a rotation. A special outlier-elimination program is run and then the average of the measured values is calculated. Cell and round cell faults and contaminations are detected and therefore a very precise result is determined.

Perform a barcode test

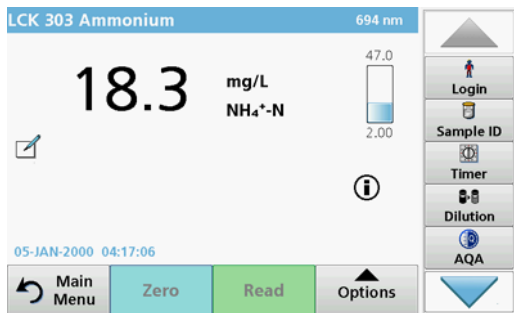


1. Prepare the barcode test in accordance with the work instruction and insert the cell into the cell compartment (1).
 - When a coded cell is inserted into the cell compartment (1) ([How to position the universal cell adapter, page 10](#)), the corresponding measurement program is automatically activated in the main menu.



- Otherwise select in the main menu the menu option **Barcode Programs** and insert a zero cell (depending on work instruction) into the cell compartment (1).

Note: To obtain further information on the Help Guide ("Information" symbol).



The measurement is started automatically and the results are shown.

Note: To define a sample dilution, press the **Dilution** key in the toolbar.

To evaluate other cell tests and other parameters insert the prepared cell into the cell compartment and read off the result.

Note: The control bar, which is shown on the right on the display, shows the relationship of the measurement result with the measurement range. The blue bar shows the reading result independently of any dilution factor that was entered.

Expanded programs

Single Wavelength (absorbance, concentration and transmittance readings)

The Single Wavelength mode can be used in three ways. For sample readings at a single wavelength, the instrument can be programmed to measure the absorbance, % transmittance or concentration of the analyte.

- Absorbance readings: The light absorbed by the sample is measured in absorbance units.
- % Transmittance measures the percent of the original light that passes through the sample and reaches the detector.
- Turning on the concentration factor allows selection of a specific multiplier for converting absorbance readings to concentration. In a graph of concentration versus the absorbance, the concentration factor is the slope of the line.

Set up Single Wavelength mode

1. Press **Single Wavelength** in the Main Menu.
2. Press **Options** for Parameter Setup.



Table 3 Options for Single Wavelength

Options	Description
More	For further Options
Recall measurement data symbol	Recall saved measurement data, wavelength scans or time courses, refer to Save, recall, send and delete data, page 14 .
% Trans/Abs	Switches from % transmittance to concentration or absorbance in reading mode.
λ Wavelength	To input the wavelength setting. Use the alphanumeric keypad to enter the reading wavelengths. A wavelength in the range of 190–1100 nm can be entered.
Timer icon	This functions as a stopwatch. It helps to make sure that the steps of an analysis are correctly timed (e. g. reaction times, wait times, etc., can be exactly specified). When the specified time has elapsed, a sound is emitted. The use of the timer has no influence on the reading program.
Concentration Factor: Off/On	Multiplication factor for converting absorbance values into concentration values.
Concentration Resolution	To select the number of decimal places.
Save as User Program	To store the selected parameters as a User Program, refer to Single Wavelength (absorbance, concentration and transmittance readings), page 19 .



Table 3 Options for Single Wavelength (Continued)

Options	Description
Reading Mode	<p>Single Reading: One measurement result is shown after tapping on Read.</p> <p>Continuous Readings: After the zero measurement, all readings are displayed automatically and continuously.</p> <p>Carousel 1 inch square: Optional measurement of carousel insert with up to 5 square cells.</p> <p>Carousel 1 cm square: Optional measurement of carousel insert with up to 7 square cells.</p>
Recall measurement data	Recall saved measurement data, wavelength scans or time courses, refer to Save, recall, send and delete data, page 14 .
Instrument Setup mode	Basic data of the instrument, refer to Save, recall, send and delete data, page 14 .

Multi Wavelength mode – readings with more than one wavelength

In the Multi Wavelength mode, absorbance values can be measured at up to four wavelengths and the results can be mathematically processed to obtain sums, differences and relationships.

- Absorbance readings: The light absorbed by the sample is measured in absorbance units.
- % Transmittance measures the percent of the original light that passes through the sample and reaches the detector.
- Turning on the concentration factor allows selection of a specific multiplier for converting absorbance readings to concentration. In a graph of concentration versus the absorbance, the concentration factor is the slope of the line. Concentration is calculated using a single factor for each wavelength, which is input by the user.

Set reading mode at different wavelengths

Press **Multi Wavelength** in the Main Menu. Press **Options** for Parameter Setup.



Table 4 Multi wavelength setup options

Options	Description
More	For further Options
Recall measurement data symbol	Recall saved measurement data, wavelength scans or time courses, refer to Save, recall, send and delete data, page 14 .
% Trans/Abs	Switches from % transmittance to concentration or absorbance in reading mode.
λ Wavelength	To input the wavelength setting. Use the alphanumeric keypad to enter the reading wavelengths. A wavelength in the range of 190–1100 nm can be entered.
Timer icon	This functions as a stopwatch. It helps to make sure that the steps of an analysis are correctly timed (e. g. reaction times, wait times, etc., can be exactly specified). When the specified time has elapsed, a sound is emitted. The use of the timer has no influence on the reading program.
Concentration Factor	Multiplication factor for converting absorbance values into concentration values.
Concentration Resolution	To select the number of decimal places.
Absorbance Formula	Calculation basis for evaluating samples
Save as User Program	To store the selected parameters as a User Program, refer to Single Wavelength (absorbance, concentration and transmittance readings), page 19 .



Table 4 Multi wavelength setup options (Continued)

Options	Description
Reading Mode	<p>Single Reading: A single reading is displayed after Read is pressed.</p> <p>Carousel 1 inch square: Optional measurement of carousel insert with up to 5 square cells.</p> <p>Carousel 1 cm square: Optional measurement of carousel insert with up to 7 square cells.</p>
Recall measurement data	Recall saved measurement data, wavelength scans or time courses, see Save, recall, send and delete data, page 14 .
Instrument Setup mode	Basic data of the instrument, refer to Single Wavelength (absorbance, concentration and transmittance readings), page 19 .

Wavelength Scan mode – recording of absorbance and transmission spectrums

In the Wavelength Scan mode, the absorbance of the light in a solution over a defined wavelength spectrum is measured.

The reading results can be displayed as a curve, as percentage transmittance (%T) or as Absorbance (Abs). The collected data can be printed as a table or a curve.

The data is available for formatting changes. These include automatic scaling and zoom functions. Maximum and minimum values are determined and shown as a table.

The cursor can be moved to any point on the curve for the purpose of reading off the absorbance or transmittance value and the wavelength. The data associated with each data point can also be shown as a table.

Set up the wavelength scan

Press **Wavelength Scan** in the Main Menu. Press **Options** for Parameter Setup.



Table 5 Options during wavelength scan (Continued)

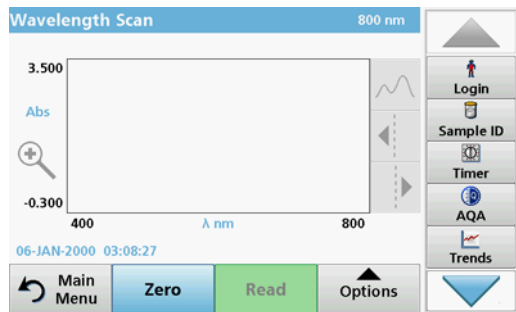
Option	Description
Cursor Mode	To select Track or Peak/Valley . The selection for this menu option determines to which points on the graph the cursor moves.
Send Data	To send data to a printer, computer or USB memory stick (Type A)
Integral: On/Off	The integral gives the area and the derivative of the integral gives the original function
Scale & Units	Scale: In the automatic scaling mode, the y-axis is automatically adapted so that the total scan is shown. The manual Scaling mode allows sections of the scan to be displayed. Units: Choice of absorbance or transmittance.
Reading Mode	Single Reading: One measurement result is shown after tapping on Read . Carousel 1 inch square: Optional measurement of carousel insert with up to 5 square cells. Carousel 1 cm square: Optional measurement of carousel insert with up to 7 square cells.
Recall measurement data	Recall saved measurement data, wave-length scans or time courses, see Save, recall, send and delete data, page 14 .
Instrument Setup mode	Basic data of the instrument, refer to Save, recall, send and delete data, page 14 .

Table 5 Options during wavelength scan

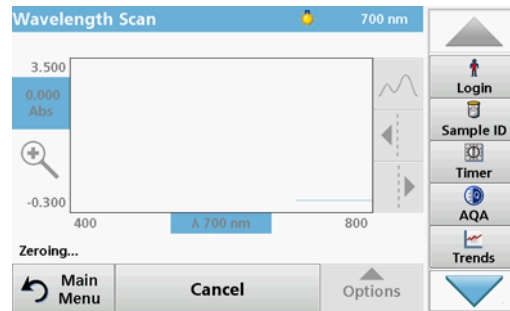
Option	Description
More	Further options are displayed
Folder icon	To store the scan data
Reference Off/On	From the displayed list of stored scans, a record is selected for use as a reference scan/superimposed scan. This can be highlighted or shown in the background in comparison with the actual measured scan. Note: This option is only available when there are stored scans with the same wavelength range and step.
λ	Enter the wavelength spectrum and scan interval
Timer icon	This functions as a stopwatch. It helps to make sure that the steps of an analysis are correctly timed (e. g. reaction times, wait times, etc., can be exactly specified). When the specified time has elapsed, a sound is emitted. The use of the timer has no influence on the reading program.
View Table/Graph	Enables the switching between the display of tabular scan data (wavelength/absorbance) and the graphical representation of the curve. Note: "View Table" is activated after the first measurement.

Perform a wavelength scan

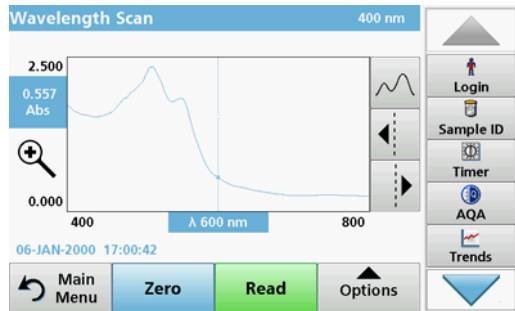
After selecting all scan parameters, record a base line (initial zero reading). If a scan parameter is changed, a new base line must be recorded. After the scan of the baseline the device is ready for the scanning of one or several samples.



1. Select in the main menu the menu option **Wavelength Scan**.
2. Insert the zero solution cell in the cell compartment and close the cell compartment cover.



3. Press **Zero**.
"Zeroing" is shown below the graph as the baseline scan begins.
4. Insert the prepared analysis cell into the cell compartment and close the cell compartment cover.
5. Press **Read**.
Under the graph, the display "Reading..." appears, and a graph of the absorbance or transmission values for the scanned wavelengths is continuously displayed.



The Wavelength Scan is complete, if

- the graph is shown full-size,
- the scaling of the x-axis occurs automatically,
- the Cursor functions in the vertical navigation bar are highlighted.
- a sound is emitted
- To save the scan, press **Options > Store symbol**.

Time course of absorbance/transmittance

The Time Course mode is used to collect data in either absorbance or transmittance for a user-specified length of time. This data can be displayed in either a graph or a table.

Time course setup parameters

1. Press **Time Course** mode in the Main Menu.
2. Press **Options** to configure parameters.



Table 6 Time course options

Options	Description
More	For further options
Folder icon	To store the scan data
Time & Interval	To input the total time for data collection and the time interval between the collection of data points
λ	To input the wavelength setting
View Table	To display readings in absorbance, transmittance or concentration. This can be changed after sample data is collected
Timer icon	This functions as a stopwatch. It helps to make sure that the steps of an analysis are correctly timed (e. g. reaction times, wait times, etc., can be exactly specified). When the specified time has elapsed, a sound is emitted. The use of the timer has no influence on the reading program.



Table 6 Time course options (Continued)

Options	Description
Scale & Units	Scale: In the automatic Scaling mode, the y-axis is automatically adjusted so that the total scan is displayed. The manual Scaling mode allows sections of the scan to be displayed. Units: Choice of absorbance or transmittance.
Send Data	To send Data to a printer, computer or USB memory stick (Type A)
Reading Mode	Single Reading: One measurement result is shown after tapping on Read . Carousel 1 inch square: Optional measurement of carousel insert with up to 5 square cells. Carousel 1 cm square: Optional measurement of carousel insert with up to 7 square cells.
Recall measurement data	Recall saved measurement data, wave-length scans or time courses, see Save, recall, send and delete data, page 14 .
Instrument Setup	Basic data of the instrument.

Maintenance

CAUTION

Potential Chemical, Biological Eye and Skin Hazards.

Only qualified personnel should conduct the tasks described in this section of the manual.

NOTICE

Remove all cells remaining in the instrument. Dispose of the cells or their contents in an authorised manner.

Lamp replacement

DANGER

Risk of electric shock

Disconnect the instrument from the power source before the lamp replacement procedure is commenced and until the lamp replacement procedure is complete.

CAUTION

Burn hazard.

Wait until the lamp cools down. Contact with the hot lamp can cause burns.

NOTICE

Only hold lamp at lamp holder. Avoid touching the glass, as substances on the skin can bake onto the lamp bulb and thus accelerate the ageing process of the lamp.

Troubleshooting

Error displayed	Cause	Resolution
Test execution errors		
Barcode label not read	Barcode faulty	Reinsert the cell. If the barcode is not recognised, contact technical support.
Please close the cover.		Close the cover.
Absorbance > 3.5!	The measured absorbance exceeds 3.5	Dilute sample and measure again
Fault Barcode check number? Please update program data!	Deviation to the stored data	Update program data
It's recommended to execute a Full System Check	Check of the air values failed	Switch the instrument off and then back on again. If the system check is not successful, contact technical support.
Blank value correction not possible!	Blank value correction not possible with LCW919.	
Fault Program not accessible. Please update program data!	Barcode test not present	Update program data
Fault Clean cuvette!	The cuvette is dirty or there are undissolved particles in the cuvette	Clean the cuvette; allow the particles to settle

Error displayed	Cause	Resolution
Fault Test program stopped! Please check lamp Close the lid. Error [xx]	Test program stops when the instrument is started	Check the lamp and replace it if necessary. Close lid. Press Start Again .
Fault Test program stopped! Please remove the cuvette Close the lid.	Test program stops when the instrument is started	Remove the cuvette/ sample cell from the cell compartment. Press OK .
Error Selfcheck stopped. Hardware error. Error [x]	Electronic defect	Contact technical support and indicate the error number
Error Too much ambient light! Move instrument into shade or close the lid	The instrument sensors detects too much ambient light.	Decrease ambient light. (Avoid direct sunlight.) Close lid.
No help function is available for this program.		
Shelf life exceeded! Use chemicals?		The analysis is possibly erroneous. Use new chemicals
No evaluation!	Error in the test database / user database	Check programming Contact technical support
No barcode!	No barcode found	Reinsert the cell. If the barcode is not recognised, contact technical support.

Error displayed	Cause	Resolution
Entry invalid!	Password incorrect	Forgotten your password? Contact technical support.
No valid data for these parameters!	Data analysis not possible, no measurement data	Change the selection.
No valid data found!	View Data not possible in data log	Change the selection.
No help function present.		
No measurement data present!	Data analysis settings cannot be configured without measurement data.	Change the selection.
Control range not reached!	Data analysis limits not reached	This is a warning notice. The control limit set was not reached.
Control range exceeded!	Data analysis limits exceeded.	This is a warning notice. The control limit was exceeded.
Concentration too high!	Calculated concentration is higher than 999999	Dilute sample and measure again
Over measuring range	The measured absorbance is above the calibration range of the test	Dilute sample and measure again
Under measuring range	The measured absorbance is below the calibration range of the test	If possible, select a test with a lower reading range or use a cuvette with a longer path length
Possible interference by:	Interference Check	The analysis is possibly erroneous due to interferences.

Error displayed	Cause	Resolution
Possible interference from:	Interference Check	The analysis is possibly erroneous due to interferences.
Next service is due!		Contact technical support for an inspection of the instrument.
Negative result!	The calculated result is negative	Check concentration of sample
Unstable lighting conditions!		Avoid direct sunlight at the measuring location.
System check incorrect!	Measurement of air values failed	Switch the instrument off and then back on again. If the system check is not successful, contact technical support.
Temperature too high. Measurement not possible!		Switch of the instrument and allow it to cool for a few minutes. If necessary, move it to a cooler place.
Update errors		
An error occurred when uploading the instrument data.		Start the procedure again or contact technical support.
An error occurred when reading from the USB memory stick.		Start the procedure again or contact technical support.
An error occurred when writing to the USB memory stick.		Start the procedure again or contact technical support.
Please check on the current update file.	Error during update.	Check the USB memory stick.
Please contact Customer Service.	Error during update.	

Error displayed	Cause	Resolution
Please insert the USB memory stick.		Insert a USB memory stick into a USB A port on the instrument.
File for instrument update missing.	Error during update.	Check the USB memory stick.
File for instrument update is faulty.	Error during update.	Save the update file again and repeat the procedure.
Error copying from USB memory stick.	Error during update	Start the procedure again or contact technical support.
No instrument backup present!		Check the USB memory stick.
Insufficient memory for update .	Error during update.	Select a memory with more space.
Update file is faulty.	Error during update.	Save the update file again and repeat the procedure.
USB memory stick is not connected.	Update not possible.	Check the USB memory stick.
Network connection errors		
Please check network configuration.		
Please check the connection.		
Please check the connection and contact the administrator.	Network setup or FTP error	
Error when calling up the local IP address.	Network setup: DHCP client has no connection to the DHCP server	Enter the IP address again.

Error displayed	Cause	Resolution
Error during default gateway setup.	Network setup: default gateway cannot be set for fixed IP address	Try to create the connection again.
Error during network drive setup!	Error during network setup The target directory does not exist.	Check the settings. Define target directory.
Error during subnet mask setup.	Network setup: Subnet mask cannot be set for fixed IP address	Enter the subnet mask again.
Error in FTP connection.	FTP error	Make sure that the instrument is connected to the network.
Network switched off.	Network setup off, when access to instruments homepage via sidebar	Activate the online connection.
Remote server cannot be reached.	Error during network setup	Make sure that the instrument is connected to the network. The fixed address of the DR 6000 is not accepted.
Remote server unreachable!	The fixed address of the DR 6000 is not accepted. The server name entered is incorrect.	Switch to "Automatic". Enter the correct server name.
Web server cannot be reached.	Instruments homepage cannot be reached.	Try the connection again later.

Replacement parts


Description	Cat. No.
Halogen lamp	A23778
Deuterium lamp	A23792
Universal cell adapter	LZV902.99.0002 0
Power cord EU	YAA080
Power cord CH	XLH051
Power cord UK	XLH057
Power cord US	1801000
Power cable China/Australia	XLH069
Fuse	A23772
Filter pad	LZV915
Dust cover	LZV886
USB interface protection	LZV881

Datos técnicos

Sujetos a cambios!

Especificaciones de funcionamiento	
Modo operativo	Transmitancia (%), absorbancia y concentración
Fuente de luz	Lámpara de deuterio (UV) y lámpara halógena (rango visual)
Rango de longitud de onda	190 a 1100 nm
Exactitud de longitud de onda	± 1 nm (rango de longitud de onda 200–900 nm)
Reproducibilidad de longitud de onda	< 0,1 nm
Resolución de longitud de onda	0,1 nm
Calibración de longitud de onda	Automática
Selección de longitud de onda	Automática, mediante selección de un método
Velocidad de barrido	900 nm/min (en pasos 1-nm)
Ancho de banda espectral	2 nm (1,5–2,9 nm a 656 nm, 1 nm para línea D2)
Rango de medida fotométrico	± 3 Abs (rango de longitud de onda 200–900nm)
Exactitud fotométrica	5 mAbs a 0,0–0,5 Abs < 1% a 0,50–2,0 Abs a 546 nm
Linealidad fotométrica	< 0,5% a 2 Abs ≤ 1% a > 2 Abs con vidrio neutro a 546nm
Luz difusa	Solución KI solution a 220 nm < 3,3 Abs / < 0,05%

Especificaciones de funcionamiento	
Deriva fotométrica en comparación con mediciones en blanco (30-min de línea de base estable)	190–199 nm +/- 0,0100 Abs 200–349 nm +/- 0,0054 Abs 350–899 nm +/- 0,0034 Abs 900–1100 nm +/- 0,0100 Abs
Estabilidad a largo plazo	Punto cero a 546 nm por 10 horas ≤ 0,0034 Abs
Registro de datos	5000 valores de medida (resultado, fecha, hora, ID de muestra, ID de usuario) 50 barridos, 50 barridos de hora
Programas del usuario	200
Especificaciones físicas y ambientales	
Anchura	500 mm (19,69pulg)
Altura	215 mm (8,46pulg)
Profundidad	460 mm (18,11pulg)
Peso	11 kg (24,25 lb)
Requisitos ambientales de funcionamiento	10–40 °C (50–104 °F), humedad relativa máxima de 80% (sin formaciones de condensación)
Requisitos ambientales de almacenamiento	–25–60 °C (13–140 °F), humedad relativa máxima de 80% (sin formaciones de condensación)
Datos técnicos adicionales	
Conexión eléctrica	100–240 V/50–60 Hz
Consumo eléctrico	150 VA
Fusible	T 2A H; 250 V (2 unidades)

Especificaciones de funcionamiento	
Interfaces	Utilice únicamente un cable blindado con una longitud máxima de 3 m: 2x USB tipo A 1x USB tipo B Use únicamente cables con cubierta (por ejemplo, STP, FTP, S/FTP) con una longitud máxima de 20 m: 1x Ethernet
Clasificación del alojamiento	IP20 con cubierta de compartimiento de cubeta cerrada
Clase de protección	Clase I
	Este producto se ha probado de acuerdo con los requisitos de la norma CAN/CSA-C22.2 n° 61010-1, segunda edición, incluida la enmienda 1, o una versión posterior del mismo estándar el cual incorpora el mismo nivel de requisitos de comprobación.
Grado de polución	2
Categoría de instalación	II
Altura máxima	2000 m (6560 pies)

Información general

Notas de seguridad

Lea detenidamente el manual en su totalidad antes de quitar, configurar o poner en funcionamiento el dispositivo. Respete todas las notas de peligro y advertencia. En caso de no hacerlo, el usuario puede sufrir lesiones graves o el dispositivo puede resultar dañado.

A fin de garantizar que no se deteriore la protección que ofrece este instrumento, evite instalarlo de maneras distintas a las especificadas en estas instrucciones de uso.

PELIGRO

Indica una situación de peligro inminente o potencial, que de no evitarse, podría causar la muerte o lesiones graves.

ADVERTENCIA

Indica una situación de peligro inminente o potencial que, de no evitarse, puede ocasionar lesiones graves o la muerte.

ATENCIÓN

Indica una situación de peligro potencial que puede ocasionar lesiones leves o moderadas.




ADVERTENCIA

Indica una situación que, de no evitarse, puede ocasionar daños en el dispositivo. Información que se debe recalcar de manera especial.

Nota: Información que complementa algunos aspectos del texto principal.

Etiquetas de advertencia

Tenga en cuenta todas las marcas y etiquetas que incluye el dispositivo. De lo contrario, es posible que se produzcan daños personales o en el dispositivo. En el caso de los símbolos adheridos al dispositivo, se pueden encontrar las notas correspondientes en el manual del usuario.

	Es posible que este símbolo esté adherido al dispositivo y hace referencia al funcionamiento o a las notas de seguridad en el manual del usuario.
	Este símbolo en el dispositivo es una indicación de superficies calientes.
	<p>El equipo eléctrico marcado con este símbolo no se podrá desechar como residuo industrial o doméstico no clasificado en toda Europa después del 12 de agosto de 2005. De conformidad con las disposiciones válidas (directiva UE 2002/96/CE), los usuarios en Europa deben retornar ahora los equipos eléctricos antiguos al fabricante para su eliminación. Esto es gratis para el consumidor.</p> <p>Nota: Comuníquese con el fabricante o proveedor para obtener indicaciones sobre cómo eliminar o reciclar correctamente dispositivos usados, accesorios eléctricos suministrados por el fabricante y cualquier otro artículo auxiliar.</p>

⚠ ADVERTENCIA

El fabricante no es responsable por daños provocados por el uso o la aplicación incorrectos de este producto, incluidos, entre otros, daños y perjuicios directos, indirectos, circunstanciales y no rechaza toda responsabilidad con respecto a esos daños y perjuicios en la extensión máxima permitida por la ley vigente.

El usuario solo es responsable de identificar los riesgos críticos de aplicación y de instalar adecuadamente los mecanismos para proteger los procesos en caso de que el equipo no funcione correctamente.

Seguridad alrededor de las fuentes de luz

Las fuentes de luz funcionan a altas temperaturas.

Para evitar el riesgo de electrocución, asegúrese de que el instrumento esté desconectado del suministro de energía antes de cambiar las lámparas.

⚠ ATENCIÓN

Riesgos para la salud provocados por el ozono.

Se pueden generar niveles peligrosos de ozono cuando la lámpara UV no se enfría.

⚠ ADVERTENCIA

Riesgos para la salud provocados por la luz UV.

La luz UV puede provocar daños en los ojos y en la piel. Protéjase los ojos y la piel de la exposición directa a la luz UV.

No mire directamente hacia una lámpara encendida con lentes de protección UV.

⚠ ATENCIÓN

Riesgo de quemaduras, permita que las lámparas se enfríen al menos durante 30 minutos antes de repararlas o cambiarlas.

Módulo RFID (no disponible en todos los modelos)

La tecnología RFID es una aplicación de radio. Las aplicaciones de radio están sujetas a las condiciones de autorización nacionales. El uso del DR 6000 (modelo con módulo RFID) está permitido actualmente en los siguientes países: EU, CH, NO, HR, RS, MK, TR, CY, US, CA, AU, NZ. Señalamos que el uso de DR 6000 (modelo con módulo RFID) fuera de estas regiones mencionadas puede infringir regulaciones nacionales. El fabricante se reserva el derecho de obtener autorizaciones en otros países. Si tiene preguntas sobre el uso en su región, comuníquese con el distribuidor.

DR 6000 contiene un módulo RFID para recibir y transmitir información y datos. El módulo RFID funciona con una frecuencia de 13,56MHz.

ADVERTENCIA

El espectrofotómetro no se puede utilizar en entornos peligrosos.
El fabricante y sus proveedores rechazan toda garantía expresa o indirecta en aplicaciones de actividades de alto riesgo.

Tenga en cuenta la siguiente información de seguridad, además de cualquier directriz local que sea aplicable.

Información de seguridad para el uso correcto del instrumento:

- No utilice el instrumento en hospitales o establecimientos similares que estén en las proximidades de equipos médicos, como marcapasos o audífonos.
- No utilice el instrumento cerca de sustancias altamente inflamables, como combustibles, productos químicos muy inflamables y explosivos.
- No utilice el dispositivo cerca de gases, vapores o polvo combustibles.
- No haga vibrar ni sacuda el instrumento.
- El instrumento puede provocar interferencias en las proximidades inmediatas de televisores, radios y ordenadores.
- No abra el instrumento.
- La garantía se anula si el instrumento no se utiliza según las pautas presentadas en este documento.

Seguridad química y biológica

PELIGRO

Daño potencial con el contacto con sustancias químicas/biológicas.
Trabajar con muestras químicas, estándares y reactivos puede resultar peligroso. Asegúrese de conocer los procedimientos de seguridad necesarios y el manejo correcto de los productos químicos antes de usarlos y de leer y seguir las hojas de datos de seguridad relevantes.

Es posible que el funcionamiento normal de este dispositivo requiera el uso de productos químicos o muestras biológicamente peligrosos.

- Lea con cuidado la información de prevención que figura en los envases de las soluciones originales y en las hojas de datos de seguridad antes de usarlas.
- Elimine las soluciones usadas según las regulaciones y leyes nacionales y locales.
- Seleccione el tipo de equipo de protección más conveniente para la concentración y cantidad del material peligroso que se utilice.

Descripción general de los productos

DR 6000 es un espectrofotómetro UV-VIS con un rango de longitud de onda de 190 a 1100 nm. Una lámpara halógena proporciona el espectro visible (320 a 1100 nm) mientras que una lámpara de deuterio produce la luz en el espectro ultravioleta (190 a 360 nm).

El instrumento se proporciona con un rango completo de programas de aplicación y admite varios idiomas.

El espectrofotómetro DR 6000 contiene los siguientes programas y modos operativos:

- Programas almacenados (test previamente instalados)
- Programas de códigos de barras
- Programas del usuario
- Favoritos
- Longitud de onda única
- Long. de onda múltiple
- Barrido de longitud de onda
- Cinéticas en el tiempo

El espectrofotómetro DR 6000 brinda lecturas digitales de la concentración, la absorbancia y el porcentaje de transmitancia.

Al seleccionar un método programado o creado por el usuario, los menús y mensajes sirven para dirigir al usuario a través de la prueba.

El sistema de menús también puede producir informes, evaluaciones estadísticas de curvas de calibración generadas e informes sobre comprobaciones de diagnóstico de instrumentos.

Instalación

ADVERTENCIA

Peligros eléctricos y riesgo de incendio.

Use únicamente el cable de alimentación que se suministra.

Las tareas que se describen en esta sección del manual sólo pueden ser realizadas por expertos cualificados, que deben cumplir todas las normativas de seguridad válidas en la región.

ADVERTENCIA

Los cables de alimentación desmontables no se deben colocar con cables de alimentación con dimensiones incorrectas.

Desembalado del instrumento

El envase del espectrofotómetro DR 6000 se suministra con los siguientes elementos:

- Espectrofotómetro DR 6000
- Funda guardapolvo
- Funda guardapolvo USB, incluida de serie
- Cable de alimentación para EE. UU. y la EU (cuando se envía a China, cable de alimentación para CN)
- Adaptador de cubetas universal
- Pestaña RFID del usuario (no disponible en todos los modelos)
- Cubetas de 1 pulgada, par coincidente
- Manual básico del usuario de DR 6000, manual del usuario de LINK2SC

Para más información, la documentación y los manuales de usuario detallados están disponibles en el sitio web del fabricante.

Nota: Si falta algún elemento, o alguno está dañado, póngase en contacto inmediatamente con su fabricante o con un representante.

Entorno operativo

Tenga en cuenta los siguientes puntos para que el dispositivo funcione perfectamente y tenga una larga vida útil.

- Coloque el dispositivo firmemente en una superficie plana. No ponga ningún objeto encima del dispositivo.
- Ubique el dispositivo de modo que no se dañe el cable de alimentación.
- La temperatura ambiental debe oscilar entre 10 y 40 °C (50–104 °F).

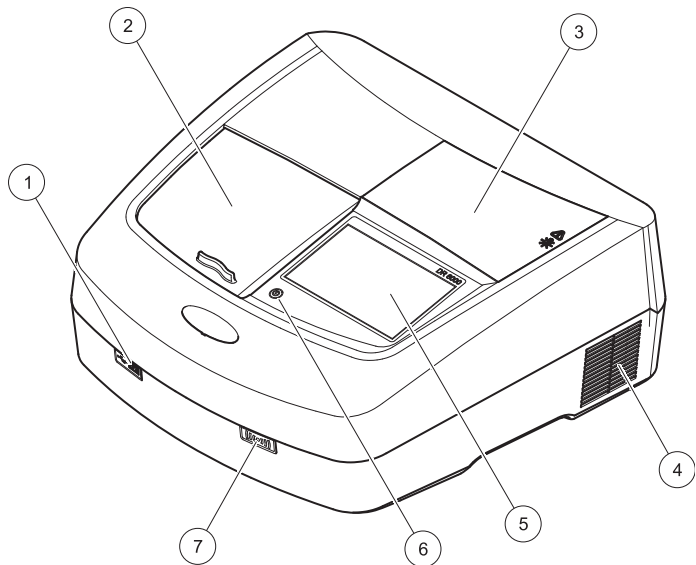
AVISO

Proteja el instrumento de las temperaturas extremas de los radiadores, la luz directa del sol u otras fuentes de calor.

- La humedad relativa debe ser inferior al 80%; el vaho no debe condensarse en el instrumento.
- Deje al menos 15 cm de espacio libre en la parte superior y en los lados para permitir que la circulación evite el sobrecalentamiento del dispositivo.
- No utilice ni almacene el dispositivo en lugares con mucho polvo o humedad.
- Mantenga la superficie del instrumento, el compartimento de cubetas y todos los accesorios limpios y secos en todo momento. Limpie inmediatamente cualquier salpicadura o material derramado en el instrumento (consulte [Mantenimiento, página 54](#)).

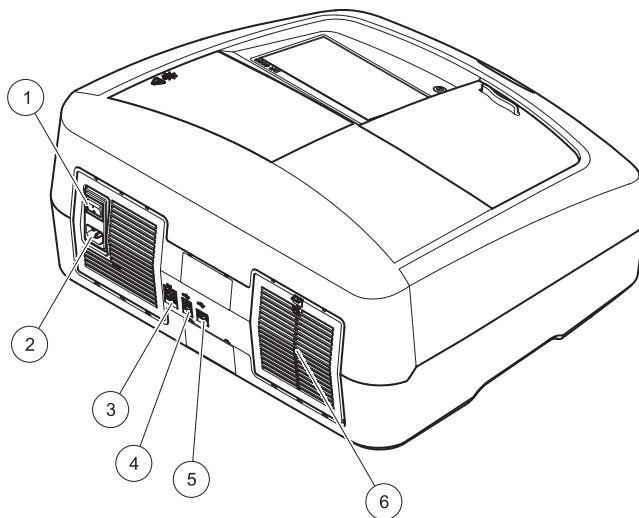
Vista frontal y trasera

Figura 1 Vista frontal



1	Puerto USB de tipo A	5	Pantalla táctil
2	Cubierta del compartimento de cubetas	6	Tecla de ahorro de energía
3	Cubierta del compartimento de la lámpara	7	Módulo RFID (no disponible en todos los modelos)
4	Conexión de salida del ventilador		

Figura 2 Vista posterior



1	Interruptor de encendido/apagado	4	Puerto USB de tipo B
2	Enchufe del cable de alimentación	5	Puerto USB de tipo A
3	Puerto Ethernet	6	Cubierta de la almohadilla del filtro

Conexiones eléctricas

AVISO

Use únicamente un enchufe con toma a tierra para realizar la conexión del dispositivo del suministro de alimentación. Si no está seguro si los enchufes cuentan con toma a tierra, hágalos verificar por un electricista calificado. El enchufe de alimentación sirve, junto con el suministro de alimentación, para aislar el dispositivo rápidamente de cualquier fuente de alimentación cuando sea necesario. Al desenchufar el dispositivo de la fuente de alimentación, asegúrese de tirar del cable correcto (por ejemplo, etiquete los enchufes). Esto se recomienda para almacenamiento a largo plazo y puede prevenir riesgos potenciales en caso de que se produzca una falla. Por consiguiente, asegúrese de que todos los usuarios pueden acceder en todo momento al enchufe al que está conectado el dispositivo.

⚠ ADVERTENCIA

Peligros eléctricos y riesgo de incendio.

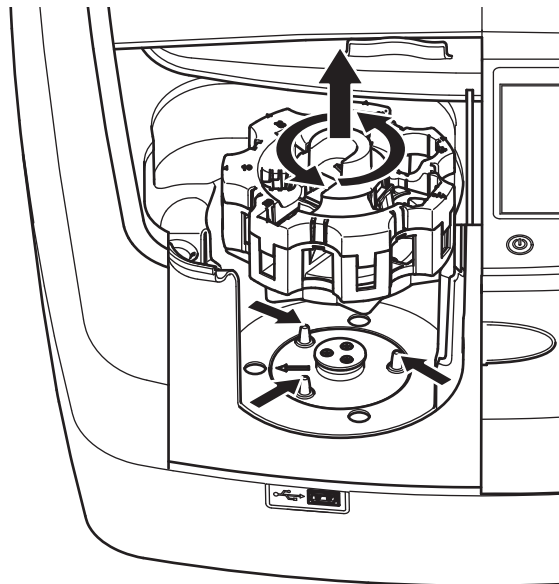
Use únicamente el cable de alimentación que se suministra.

1. Enchufe el cable de alimentación en la parte posterior del instrumento ([Vista posterior, página 36](#)).
2. Enchufe el cable de alimentación en el enchufe de la red eléctrica con toma a tierra (100-240 V~ / 50-60 Hz).
3. Coloque el botón de encendido en la posición "On" (Encendido) para encender el instrumento ([Vista posterior, página 36](#)).

Cómo colocar el adaptador de cubetas universal

1. Abra el compartimento de cubetas.
2. Eleve el adaptador de cubetas universal aproximadamente 1 cm.
3. Gire el adaptador de cubetas universal de modo que la guía del perfil de la cubeta correspondiente quede hacia la izquierda enfrentada al compartimiento de cubetas (1).
4. Presione el adaptador de cubetas universal hacia abajo hasta que encaje en su lugar.

Figura 3 Cómo colocar el adaptador de cubetas universal



Puesta en marcha

Encendido del instrumento, proceso de arranque

1. Enchufe el cable de alimentación a una fuente de alimentación.
2. Encienda el instrumento con el interruptor de encendido que está en la parte posterior.
3. El dispositivo inicia de forma automática un proceso de arranque de aproximadamente 45 segundos de duración. En la pantalla aparece el logotipo del fabricante. Al final del proceso de arranque, se oye una melodía de arranque.

Nota: Espere aproximadamente **20 segundos** antes de volver a encenderlo para no dañar el sistema electrónico y mecánico del instrumento.

Selección del idioma



El software del espectrofotómetro DR 6000 incluye varias opciones de idioma. La primera vez que se enciende el instrumento aparece automáticamente la pantalla de selección del idioma después del proceso de arranque.

1. Seleccione el idioma deseado.

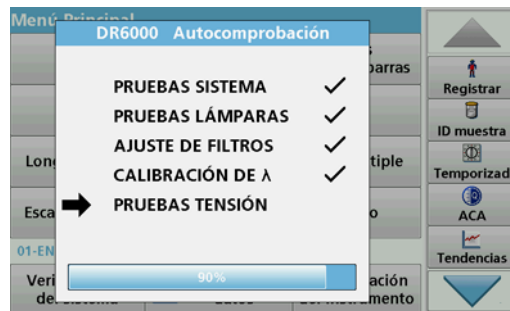
2. Pulse **OK** para confirmar la selección. A continuación se inicia automáticamente la autocomprobación.

Cambio del ajuste del idioma

El dispositivo funciona en el idioma seleccionado hasta que esa opción se cambie.

1. Encienda el instrumento.
2. Durante el proceso de arranque, toque cualquier punto de la pantalla hasta que (aproximadamente 45 segundos) se muestre la lista para seleccionar el idioma.
3. Seleccione el idioma deseado.
4. Pulse **OK** para confirmar la selección. A continuación se inicia automáticamente la autocomprobación.

Autocomprobación



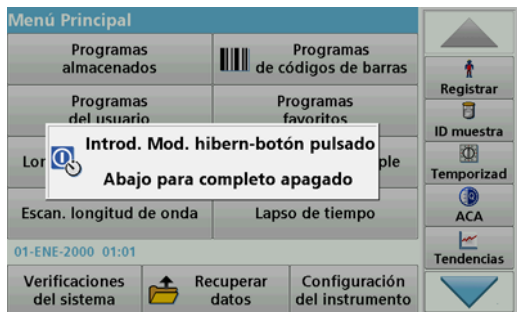
Cada vez que se enciende el instrumento, se inicia un programa de chequeo.

Este procedimiento, que dura unos dos minutos, comprueba el sistema, la lámpara, el ajuste de los filtros, la calibración de las longitudes de onda y la tensión eléctrica. Cada función con una marca de verificación, se muestra en consecuencia en la pantalla.

Una vez completados los diagnósticos, aparece el Menú Principal.

Nota: En caso de que aparecieran más mensajes de error durante el programa de chequeo, consulte [Solución de problemas, página 55](#).

Modo de hibernación



El instrumento se puede poner en el modo de hibernación.

1. Presione la tecla de ahorro de energía debajo de la pantalla. Aparecerá el mensaje "Modo de hibernación". A continuación, la pantalla se apagará automáticamente.
2. Vuelva a presionar la tecla de ahorro de energía para encenderla. La autocomprobación se inicia automáticamente. A continuación, el instrumento está listo para su uso.

Apagado del instrumento

1. Presione el interruptor de encendido en la parte posterior del instrumento.

Programas estándar

Información general

Consejos de uso de la pantalla táctil

Toda la pantalla responde al tacto. Seleccione al pulsar con la uña, la punta del dedo, un borrador o un lápiz. No toque la pantalla con objetos filosos (por ejemplo la punta de un bolígrafo con tapa).

- No coloque nada encima de la pantalla, pues se podría rayar.
- Pulse sobre botones, palabras o iconos para seleccionarlos.
- Utilice la barra de desplazamiento para moverse rápidamente por la lista. Pulse y mantenga pulsada la barra de desplazamiento y después mueva la punta del dedo hacia arriba o hacia abajo para moverse por la lista.
- Para seleccionar un elemento en una lista, pulse ese elemento una vez. Cuando lo haya seleccionado correctamente, se visualizará como texto inverso (texto claro sobre fondo oscuro).

Uso del teclado alfanumérico



Este teclado alfanumérico se emplea para introducir letras, números y símbolos al programar el instrumento. Las opciones no disponibles están desactivadas. Los símbolos a la izquierda y derecha de la pantalla se detallan en [Tabla 1](#).

Las demoninaciones de la parte central del teclado cambian según la función de entrada seleccionada. Toque cada tecla varias veces hasta que se muestre el carácter deseado. Para introducir un espacio utilice el subrayado de la tecla **YZ_**.

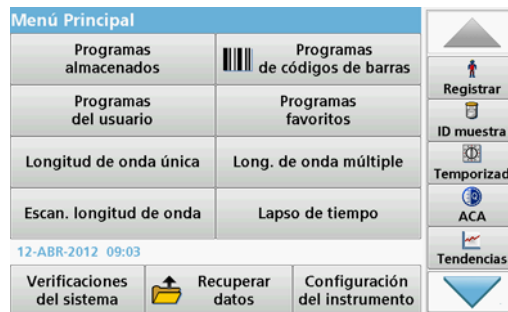
Pulse **Cancelar** para cancelar una introducción o pulse **OK** para confirmar la introducción.

Nota: También es posible utilizar un teclado USB (con la configuración del teclado de EE.UU.) o un escáner de códigos de barras USB de mano (consulte [Piezas de repuesto, página 58](#)).

Tabla 1 Teclado alfanumérico

Icono / tecla	Descripción	Función
ABC/abc	Alfabetico	Cambia el modo de introducción de caracteres entre mayúsculas y minúsculas.
# %	Símbolo	Se puede introducir puntuación, símbolos, subíndices y superíndices.
123	Numérico	Para introducir números normales.
CE	Borrar programa introducido	Borra la introducción.
Flecha izquierda	Atrás tecla	Borra el carácter actual y retrocede una posición.
Flecha derecha	Siguiente	Se desplaza al siguiente espacio en una entrada.

Menú Principal



En el Menú Principal pueden seleccionarse diversos modos operativos. En la siguiente tabla se describe brevemente cada opción del menú.

Encontrará una barra de herramientas en el lado derecho de la pantalla. Púlsela para activar las diversas funciones.

Tabla 2 Opciones del Menú Principal

Opción	Función
Programas almacenados / Programas de códigos de barras (Programas de HACH-LANGE)	Los programas almacenados son métodos preprogramados que utilizan productos químicos de HACH y test de pipetas de HACH-LANGE. Los procedimientos de trabajo de los test de HACH-LANGE está incluidos en los paquetes de cada test. Par más información, así como instrucciones de procesos paso a paso e ilustradas para realizar análisis utilizando programas HACH, se encuentran disponibles en el sitio web del fabricante.

Tabla 2 Opciones del Menú Principal

Opción	Función
Programas del usuario	<p>Los Programas del usuario hacen posible la realización de análisis personalizados:</p> <ul style="list-style-type: none"> Los usuarios pueden programar métodos desarrollados por ellos mismos Es posible almacenar los procedimientos de HACH- y HACH-LANGE existentes como programas de usuarios. Luego, se puede modificar estos procedimientos según distintos requisitos.
Favoritos	Enumera los métodos y tests creados por el usuario para dar respuesta a sus propias necesidades.
Longitud de onda única	<p>Las medidas de la longitud de onda única son:</p> <p>Medidas de absorbancia: La luz absorbida por la muestra se mide en unidades de absorbancia.</p> <p>Medida de transmitancia (%): Mide el porcentaje de luz original que atraviesa la muestra y alcanza el detector.</p> <p>Medidas de concentración: Introduciendo un factor de concentración se pueden convertir los valores medidos de absorbancia en valores de concentración.</p>
Long. de onda múltiple	En este modo, la absorbancia (Abs) o el porcentaje de transmitancia (%T) se miden hasta con cuatro longitudes de onda; además, se calculan las diferencias y relaciones de absorbancia. Asimismo, se realizan conversiones simples en concentraciones.
Barrido de longitud de onda	El barrido de longitud de onda muestra cómo se absorbe la luz de una muestra en un espectro de longitud de onda definido. Esta función se puede utilizar para determinar la longitud de onda a la cual se puede medir el valor de absorbancia máximo. El comportamiento de la absorbancia se muestra de manera gráfica durante el barrido.
Cinéticas en el tiempo	Las cinéticas en el tiempo registran la absorbancia o la transmitancia (%) a una longitud de onda en un periodo de tiempo definido.

Tabla 2 Opciones del Menú Principal

Opción	Función
Pruebas del sistema	El menú "Pruebas del sistema" incluye varias opciones, como pruebas ópticas, pruebas de salida, historial de la lámpara, actualización del instrumento, tiempos de servicio, configuración del aseguramiento de la calidad analítica y backup del instrumento.
Recuperación de datos de mediciones	Los datos almacenados se pueden abrir, filtrar, enviar y borrar.
Configuración del instrumento	En este modo, se pueden introducir configuraciones específicas del usuario o del método: ID del usuario, ID de muestra, fecha y hora, sonido, PC e impresora, contraseña, modo de ahorro de energía y datos almacenados.

Almacenamiento, recuperación, envío y borrado de datos

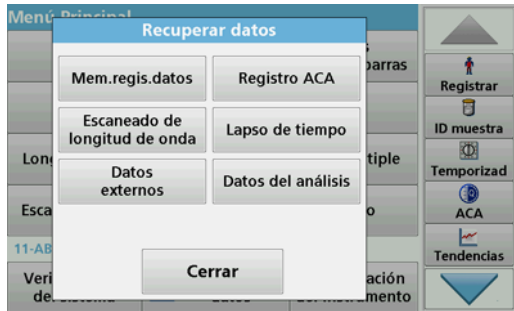
Registro de datos

En el registro de datos se pueden almacenar hasta 5000 mediciones que guardan los siguientes programas:

- Programas almacenados,
- Programas de códigos de barras,
- Programas del usuario,
- Favoritos,
- Longitud de onda única y
- Long. de onda múltiple.

Se memorizará un registro completo del análisis, que incluye fecha, hora, resultados, ID de la muestra e ID del usuario.

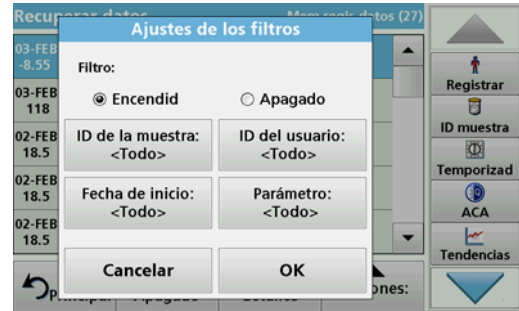
Recuperación de datos almacenados de un registro de datos



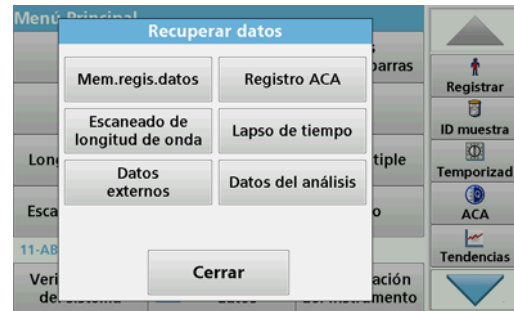
1. Pulse **Recuperar datos** en el Menú Principal.



2. Pulse **Mem.regis.datos** .
Aparecerá un listado de los datos almacenados.



3. Pulse **Filtro: Encendido/Apagado**.
La función **Ajustes de los filtros** se utiliza para buscar elementos específicos.
4. Active **Encendido**. Ahora los datos se pueden filtrar utilizando los siguientes criterios de selección.
 - ID de la muestra
 - ID del usuario
 - Fecha de inicio
 - Parámetroo cualquier combinación de los cuatro.



5. Pulse **OK** para confirmar la selección.
Se enumerarán los elementos seleccionados.

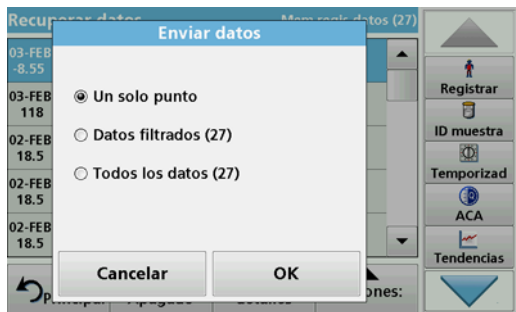
Envío de datos del registro de datos

Los datos se envían desde el registro de datos interno como un archivo XML (Lenguaje de marcas extensible) o como un archivo CSV (Valor separado por comas) a un directorio con el nombre DataLog que se encuentra en un dispositivo de almacenamiento masivo USB o en una unidad de red. El archivo se puede procesar utilizando un programa de hojas de cálculo. El nombre de archivo tiene el formato: DLAño-Mes-Día_Hora_Minuto_Segundo.csv o DLAño-Mes-Día_Hora_Minuto_Segundo.xml.

1. Conecte el dispositivo de almacenamiento USB a la interfaz USB A en DR 6000 o conecte DR 6000 con una unidad de red.
2. Pulse **Recuperar datos** en el Menú Principal.
3. Seleccione la categoría de los datos que se van a transferir (por ejemplo, **Mem. regis. datos**).
Aparecerá un listado de los datos de mediciones seleccionados.



4. Pulse en **Opciones** y, a continuación, en el símbolo **Equipo e impresora**.



5. Seleccione los datos que se van a enviar. Están disponibles las siguientes opciones:
- **Un solo punto:** sólo se enviará esta medición seleccionada
 - **Datos filtrados:** sólo se enviarán las mediciones que se correspondan con los filtros definidos
 - **Todos los datos:** se enviarán todos los datos de la categoría de datos seleccionada.
6. Pulse **OK** para confirmar.

Nota: El número que aparece entre paréntesis indica el número total de datos que fueron asignados a esta selección.

Programas almacenados

Es posible recuperar más de 200 procesos programados previamente mediante el menú **Programas almacenados**. El menú **Programas almacenados** no incluye comprobaciones de códigos de barra.

Selección de un método o test almacenado; introducción de datos básicos específicos del usuario

Programas almacenados		
315	Molybden LR	3.00 mg/L
66	Monokloramin LR	4.50 mg/L
388	N Ammoniak Fri	0.50 mg/L
380	N Ammoniak Nessler	2.50 mg/L
385	N Ammoniak Salic.	0.50 mg/L
361	N Nitrat HR AV	30.0 mg/L
355	N Nitrat HR PP	30.0 mg/L
351	N Nitrat LR	0.50 mg/L
359	N Nitrat MR AV	10.0 mg/L
353	N Nitrat MR PP	10.0 mg/L

Menú Principal	Seleccionar por número	Opciones del programa	Inicio
----------------	------------------------	-----------------------	--------

1. Pulse **Programas almacenados** en el Menú Principal para visualizar una lista alfabética de los programas almacenados con números de programa.

Aparecerá la lista "Programas almacenados".

2. Seleccione el test adecuado.

Nota: Seleccione el programa por su nombre o desplácese por la lista utilizando las teclas de flecha. Marque el programa o seleccione **Seleccionar por número**, para buscar un número de programa específico. Pulse **OK** para confirmar.

3. Pulse **Inicio** para ejecutar el programa. Aparece la ventana de medición correspondiente.

Nota: Todos los datos correspondientes (longitud de onda, factores y constantes) ya están predeterminados.

4. Siga las instrucciones de procedimiento para manejo de productos químicos. Más información disponible en el sitio web del fabricante.

Nota: Para ver las instrucciones de los procedimientos en la pantalla, presione el icono de información. Esta opción no está disponible para todas las comprobaciones.

Análisis de muestras



1. Pulse **Programas almacenados** y seleccione un programa.
Nota: Si están disponible, las instrucciones de procedimiento se indican en la pantalla a través del icono de información.
2. Introduzca la cubeta de solución cero en el compartimento de cubetas.
3. Pulse **Cero**.



4. Saque la cubeta de solución cero del compartimento de la cubeta. Coloque la cubeta de muestra dentro del compartimento de cubetas.
5. Pulse **Medición**. Aparecerá el resultado.
Nota: Para definir una dilución simple, pulse la tecla **Dilución** en la barra de herramientas.
6. Para el almacenamiento de los datos, consulte [sección Registro de datos, página 41](#).

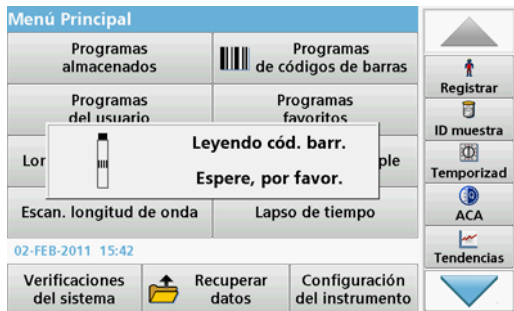
Programas de códigos de barras

Un lector de código de barras especial en el compartimento de cubetas lee automáticamente el código de barras de la cubeta/vial de 13 mm cuando ésta completa una rotación sencilla. El instrumento usa la identificación del código de barras para establecer automáticamente la longitud de onda correcta para el análisis y calcula el resultado de inmediato con la ayuda de los factores almacenados.

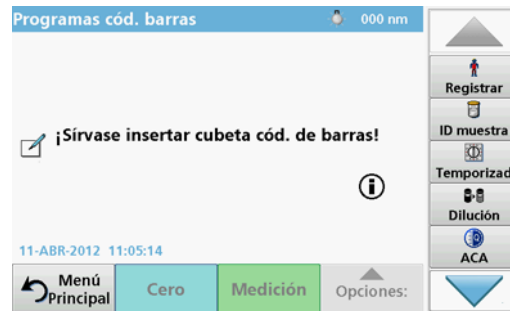
Asimismo, las mediciones se graban en diez posiciones distintas durante la rotación. Se ejecuta un programa de eliminación de valores extremos y, a continuación, se calcula la media de los valores medidos. Se detectan los errores y las contaminaciones de las cubetas y las

cubetas redondas y, por lo tanto, se determina un resultado muy preciso.

Realizar una prueba del código de barras



1. Prepare la prueba del código de barras según las instrucciones de trabajo e introduzca la cubeta en el compartimiento (1).
 - Cuando se introduce una cubeta con código en el compartimiento (1) ([Cómo colocar el adaptador de cubetas universal, página 37](#)), se activa automáticamente el correspondiente programa de medida en el menú principal.



- Otra alternativa es seleccionar en el menú principal la opción **Programas de códigos de barras** e introducir una cubeta cero (según las instrucciones de trabajo) en el compartimiento de cubetas (1).

Nota: Para obtener información adicional sobre la Guía de ayuda (símbolo de información).



La medición comienza automáticamente y se muestran los resultados.

Nota: Para definir una dilución simple, presione la tecla **Dilución** en la barra de herramientas.

Para realizar otras pruebas de cubetas y evaluar otros parámetros, introduzca la cubeta preparada en el compartimiento y haga una medición de los resultados.

Nota: La barra de control, que se muestra a la derecha de la pantalla, muestra la relación del resultado de medida con el rango de medida. La barra azul muestra los resultados de la medición independientemente de cualquier factor de dilución que se haya ingresado.



Programas avanzados

Longitud de onda única (medidas de absorbancia, concentración y transmitancia)

El modo Longitud de onda única se puede utilizar de tres formas. Para medidas de muestras a una longitud de onda única, el instrumento se puede programar para medir la absorbancia, la transmitancia (%) o la concentración del analito.

- Medidas de absorbancia: La luz absorbida por la muestra se mide en unidades de absorbancia.
- La transmitancia (%) mide el porcentaje de luz original que atraviesa la muestra y alcanza el detector.
- La activación del factor de concentración permite la selección de un multiplicador específico para la conversión de las lecturas de absorbancia a concentración. En un gráfico de concentración en función de la absorbancia, el factor de concentración es la parte descendente de la línea.

Configuración del modo Longitud de onda única

1. En el Menú Principal, pulse **Longitud de onda única**.
2. Pulse **Opciones** para configurar los parámetros.

Tabla 3 Opciones de Longitud de onda única

Opciones	Descripción
Más	Para otras opciones.
Recuperación de símbolos de datos de mediciones	Recuperar datos de mediciones guardados, barridos de longitud de onda o cinéticas en el tiempo, consulte Almacenamiento, recuperación, envío y borrado de datos, página 41 .
% Trans/Abs	Interruptores del porcentaje de transmitancia a la concentración o absorbancia en modo Medición.
λ Longitud de onda	Para introducir el ajuste de longitud de onda. Utilice el teclado alfanumérico para introducir las longitudes de onda de la medición. Se puede ingresar una longitud de onda en el rango de 190–1100 nm.
Icono del temporizador	Funciona como un cronómetro. Garantiza que las fases del análisis están correctamente calculadas (p. ej., se pueden especificar con exactitud los tiempos de reacción, tiempos de espera, etc.). Cuando ha transcurrido el tiempo especificado, se emite un sonido. El uso del temporizador no influye en el programa de medición.
Factor de concentración: Apagado/ Encendido	Factor de multiplicación para convertir los valores de absorbancia en valores de concentración.
Resolución de la concentración	Para seleccionar el número de posiciones decimales.



Tabla 3 Opciones de Longitud de onda única (Continuación)

Opciones	Descripción
Guardar como programa del usuario	Para almacenar los parámetros como un Programa del usuario, consulte Longitud de onda única (medidas de absorbancia, concentración y transmitancia) , página 47.
Modo Medición	<p>Medición única: solo se muestra un resultado de medida luego de pulsar Medir.</p> <p>Mediciones continuas: luego de la medida cero, todas las mediciones se muestran de forma automática y continua.</p> <p>Carrusel de 1 pulgada cuadrada: medición opcional de la inserción de carrusel con hasta 5 cubetas cuadradas.</p> <p>Carrusel de 1 cm cuadrado: medición opcional de la inserción de carrusel con hasta 7 cubetas cuadradas.</p>
Recuperación de datos de mediciones	Recuperar datos de mediciones guardados, barridos de longitud de onda o cinéticas en el tiempo, consulte Almacenamiento, recuperación, envío y borrado de datos , página 41.
Modo Configuración del instrumento	Datos básicos del instrumento, consulte Almacenamiento, recuperación, envío y borrado de datos , página 41.

Modo Long. de onda múltiple: mediciones con más de una longitud de onda

En este modo los valores de absorbancia se pueden medir en hasta cuatro longitudes de onda y los resultados se pueden procesar matemáticamente para obtener sumas, diferencias y relaciones.

- Medidas de absorbancia: La luz absorbida por la muestra se mide en unidades de absorbancia.
- La transmitancia (%) mide el porcentaje de luz original que atraviesa la muestra y alcanza el detector.
- La activación del factor de concentración permite la selección de un multiplicador específico para la conversión de las mediciones de absorbancia a concentración. Si comparamos un gráfico de concentración con uno de absorbancia, el factor de concentración es la pendiente de la línea. La concentración se calcula mediante un factor único introducido por el usuario para cada longitud de onda.

Establecer el modo Medición en distintas longitudes de onda

En el Menú Principal, pulse **Long. de onda múltiple** . Pulse **Opciones** para configurar los parámetros.



Tabla 4 Opciones de configuración de longitud de onda múltiple

Opciones	Descripción
Más	Para otras opciones.
Recuperación de símbolos de datos de mediciones	Recuperar datos de mediciones guardados, barridos de longitud de onda o cinéticas en el tiempo, consulte Almacenamiento, recuperación, envío y borrado de datos , página 41.
% Trans/Abs	Interruptores del porcentaje de transmitancia a la concentración o absorbancia en modo Medición.



Tabla 4 Opciones de configuración de longitud de onda múltiple

Opciones	Descripción
λ Longitud de onda	Para introducir el ajuste de longitud de onda. Utilice el teclado alfanumérico para introducir las longitudes de onda de la medición. Se puede ingresar una longitud de onda en el rango de 190–1100 nm.
Icono del temporizador	Funciona como un cronómetro. Garantiza que las fases del análisis están correctamente calculadas (p. ej., se pueden especificar con exactitud los tiempos de reacción, tiempos de espera, etc.). Cuando ha transcurrido el tiempo especificado, se emite un sonido. El uso del temporizador no influye en el programa de medición.
Factor de concentración	Factor de multiplicación para convertir los valores de absorbancia en valores de concentración.
Resolución de la concentración	Para seleccionar el número de posiciones decimales.
Fórmula de absorbancia	Base de cálculo para la evaluación de muestras
Guardar como programa del usuario	Para almacenar los parámetros como un Programa del usuario, consulte Longitud de onda única (medidas de absorbancia, concentración y transmitancia) , página 47.

Tabla 4 Opciones de configuración de longitud de onda múltiple

Opciones	Descripción
Modo Medición	Medición única: se realiza una única medición luego de presionar Medir . Carrusel de 1 pulgada cuadrada: medición opcional de la inserción de carrusel con hasta 5 cubetas cuadradas. Carrusel de 1 cm cuadrado: medición opcional de la inserción de carrusel con hasta 7 cubetas cuadradas.
Recuperación de datos de mediciones	Recuperación de datos de medidas guardados, barridos de longitudes de onda o cinéticas en el tiempo, consulte Almacenamiento, recuperación, envío y borrado de datos , página 41.
Modo Configuración de l instrumento	Datos básicos del instrumento, consulte Longitud de onda única (medidas de absorbancia, concentración y transmitancia) , página 47.

Modo Barrido de longitud de onda: registro de espectros de absorbancia y transmisión

En el modo Barrido de longitud de onda, se mide la absorbancia de la luz en una solución en un espectro de longitud de onda definido.

Los resultados se pueden visualizar como curva, transmitancia porcentual (%T) o absorbancia (Abs). Los datos recopilados se pueden imprimir como tabla o curva.

Es posible realizar cambios de formato en estos datos. Estos incluyen funciones como la de escala y zoom. Se determinan unos valores máximos y mínimos que se muestran como tabla.

El cursor se puede colocar en cualquier punto de la curva para leer los valores de absorbancia y transmitancia o la longitud de onda. Los datos asociados a cada punto de datos también se pueden visualizar en forma de tabla.

Configuración del barrido de longitud de onda

En Menú Principal, pulse **Barrido de longitud de onda**. Pulse **Opciones** para configurar los parámetros.



Tabla 5 Opciones durante el barrido de longitud de onda

Opción	Descripción
Más	Se muestran más opciones.
Icono de carpeta	Para memorizar los datos de los barridos.
Referencia: Apagado/ Encendido	En la lista de barridos memorizados que aparece, se selecciona un registro para su uso como barrido de referencia o superpuesto. Se puede seleccionar o mostrar en el fondo para compararlo con el barrido real medido. Nota: Esta opción sólo está disponible cuando existen barridos memorizados con el mismo rango y fase de longitud de onda.
λ	Ingrese el espectro de longitud de onda el intervalo de barrido
Icono del temporizador	Funciona como un cronómetro. Garantiza que las fases del análisis están correctamente calculadas (p. ej., se pueden especificar con exactitud los tiempos de reacción, tiempos de espera, etc.). Cuando ha transcurrido el tiempo especificado, se emite un sonido. El uso del temporizador no influye en el programa de medición.
Ver Tabla/Gráfico	Permite alternar entre la visualización de los datos de barrido en tablas (longitud de onda/absorbancia) y la representación gráfica de la curva. Nota: La opción "Ver tabla" se activa luego de la primera medida.



Tabla 5 Opciones durante el barrido de longitud de onda

Opción	Descripción
Modo Cursor	Para seleccionar Trazo o Pico/Valle . La selección para esta opción de menú determina hacia que puntos del gráfico se mueve el cursor.
Enviar datos	Para enviar datos a una impresora, PC o memoria USB (tipo A).
Integral: Encendido/ Apagado	La integral ofrece el área y la derivada de la integral proporciona la función original.
Escala y Unidades	Escala: en el modo de escala automático, el eje "y" se adapta automáticamente de modo que se muestre el barrido total. El modo de escala manual permite la visualización de secciones del barrido. Unidades: Se debe elegir entre absorbancia o transmitancia.

Tabla 5 Opciones durante el barrido de longitud de onda

Opción	Descripción
Modo Medición	Medición única: solo se muestra un resultado de medida luego de pulsar Medir . Carrusel de 1 pulgada cuadrada: medición opcional de la inserción de carrusel con hasta 5 cubetas cuadradas. Carrusel de 1 cm cuadrado: medición opcional de la inserción de carrusel con hasta 7 cubetas cuadradas.
Recuperación de datos de mediciones	Recuperación de datos de mediciones guardados, barridos de longitudes de onda o cinéticas en el tiempo, véase Almacenamiento, recuperación, envío y borrado de datos, página 41 .
Modo Configuración de l instrumento	Datos básicos del instrumento, consulte Almacenamiento, recuperación, envío y borrado de datos, página 41 .

Realizar un barrido de longitud de onda

Después de seleccionar todos los parámetros de barrido, registre un punto de referencia (medición cero inicial). Si se cambia un parámetro de barrido, se debe registrar un nuevo punto de referencia. Luego del barrido de la línea de base, el dispositivo está preparado para el barrido de una o varias muestras.



1. Seleccione en el menú principal la opción **Barrido de longitud de onda**.
2. Introduzca la cubeta de solución cero en el compartimento de cubetas y cierre la cubierta.



3. Pulse **Cero**.

Bajo el gráfico aparecerá "Ajust.cero" al comenzar el barrido del punto de referencia.

4. Introduzca la cubeta de análisis preparada en el compartimento de cubetas y cierre la cubierta.
5. Pulse **Medición**.

Bajo el gráfico aparecerá "Medición..." y se mostrará de manera continua una gráfica de los valores de absorbancia o transmisión de las longitudes de onda escaneadas.



El barrido de longitud de onda habrá finalizado si

- el gráfico aparece a tamaño completo,
- la escala del eje "x" se produce automáticamente,
- las funciones del cursor en la barra de exploración vertical aparecen resaltadas.
- se emite un sonido
- Para guardar el barrido, presione **Opciones > Almacenar símbolo**

Cinéticas en el tiempo de absorbancia/transmitancia

El modo Cinéticas en el tiempo se usa para recopilar datos de absorbancia o transmitancia para un intervalo de tiempo especificado por el usuario. Es posible mostrar estos datos en un gráfico o en una tabla.

Parámetros de configuración de Cinéticas en el tiempo

1. Pulse modo **Cinéticas en el tiempo** en el Menú Principal.
2. Pulse **Opciones** para configurar los parámetros.



Tabla 6 Opciones de Cinéticas en el tiempo (Continuación)

Opciones	Descripción
Icono del temporizador	Funciona como un cronómetro. Garantiza que las fases del análisis están correctamente calculadas (p. ej., se pueden especificar con exactitud los tiempos de reacción, tiempos de espera, etc.). Cuando ha transcurrido el tiempo especificado, se emite un sonido. El uso del temporizador no influye en el programa de medición.
Escala y unidades	Escala: En el modo de escala automático, el eje "y" se ajusta automáticamente de forma que se visualice el barrido total. El modo de escala manual permite la visualización de secciones del barrido. Unidades: Se debe elegir entre absorbancia o transmitancia.
Enviar datos	Para enviar datos a una impresora, PC o memoria USB (tipo A).

Tabla 6 Opciones de Cinéticas en el tiempo

Opciones	Descripción
Más	Para otras opciones.
Icono de carpeta	Para memorizar los datos de los barridos.
Tiempo e Intervalo	Para introducir el tiempo total para la recopilación de datos y el intervalo de tiempo entre la recopilación de los puntos de datos.
λ	Para introducir la configuración de longitud de onda.
Ver tabla	Para visualizar las lecturas de absorbancia, transmitancia o concentración. Se puede cambiar tras la recopilación de datos de la muestra.



Tabla 6 Opciones de Cinéticas en el tiempo (Continuación)

Opciones	Descripción
Modo Medición	<p>Medición única: solo se muestra un resultado de medida luego de pulsar Medir.</p> <p>Carrusel de 1 pulgada cuadrada: medición opcional de la inserción de carrusel con hasta 5 cubetas cuadradas.</p> <p>Carrusel de 1 cm cuadrado: medición opcional de la inserción de carrusel con hasta 7 cubetas cuadradas.</p>
Recuperación de datos de mediciones	<p>Recuperación de datos de mediciones guardados, barridos de longitudes de onda o cinéticas en el tiempo, véase Almacenamiento, recuperación, envío y borrado de datos, página 41.</p>
Configuración del instrumento	Datos básicos del instrumento

Mantenimiento

⚠ ATENCIÓN

Posibles peligros químicos y biológicos en la piel y los ojos.
Las tareas descritas en esta sección deben ser efectuadas por personal cualificado.

AVISO

Quite todas las cubetas que queden en el instrumento. Deshágase de las cubetas o su contenido de la forma autorizada.

Sustitución de la lámpara

⚠ PELIGRO

Peligro de descarga eléctrica
Mantenga desconectado el instrumento de la fuente de alimentación antes de comenzar a realizar el cambio de lámpara y hasta que haya finalizado.

⚠ ATENCIÓN

Peligro de quemadura.
Espere hasta que la lámpara se enfríe. El contacto con la lámpara caliente puede provocar quemaduras.

AVISO

Para sujetar la lámpara, utilice únicamente el soporte de la lámpara. Evite tocar el vidrio, ya que las sustancias de la piel pueden fundirse en la bombilla y acelerar el proceso de envejecimiento de la lámpara.

Solución de problemas

Error mostrado	Causa	Resolución
Errores de ejecución de pruebas		
Etiqueta del código de barras no leída	Código de barras defectuoso.	Vuelva a introducir la cubeta. Si el código de barras no se reconoce, comuníquese con la asistencia técnica.
Cierre la tapa.		Tápela.
Absorbancia >3,5	La absorbancia medida es superior a 3,5.	Diluya la muestra y vuelva a realizar la medición.
Fallo ¿Nº de control del cód. de barras? Actualice datos del programa	Desviación respecto a los datos almacenados.	Actualice datos del programa
Se recomienda realizar una verificación del sistema completa	La comprobación de los valores de aire ha fallado.	Apague el instrumento y vuélvalo a encender. Si la prueba del sistema no es correcta, comuníquese con la asistencia técnica.
No es posible corregir el valor blanco	La corrección del valor de blanco no es posible con LCW919.	
Fallo Programa no accesible. Actualice los datos del programa	Test de código de barras no presente.	Actualice datos del programa
Falla Limpie la cubeta	El tubo está sucio y contiene partículas sin disolver	Limpie la cubeta; deje que las partículas se sedimenten.

Error mostrado	Causa	Resolución
Fallo ¡Programa de test interrumpido! Compruebe la lámpara Cierre la tapa. Error [xx]	El programa de test se interrumpe cuando se inicia el instrumento.	Compruebe la lámpara y, si fuera necesario, cámbiela. Cierre la tapa. Pulse Volver a empezar .
Fallo Programa de test interrumpido. Retire la cubeta Cierre la tapa.	El programa de test se interrumpe cuando se inicia el instrumento.	Retire la cubeta del compartimento de cubetas. Pulse OK .
Error Autocomprobac. interrumpida. Error de hardware. Error [x]	Fallo electrónico.	Comuníquese con la asistencia técnica y proporcíoneles el número de error
Error ¡Demasiada luz ambiental! Ponga el equipo a la sombra o cierre la tapa	Los sensores del instrumento detectan demasiada luz en el ambiente.	Disminuya la luz ambiental. (Evite los rayos directos del sol). Cierre la tapa.
Para este programa no existe ninguna función de ayuda.		
¡Se ha superado la vida útil! ¿Utiliza productos químicos?		Posiblemente el análisis es erróneo. Utilice productos químicos nuevos.
¡No existe evaluación!	Error en la base de datos de tests / base de datos del usuario.	Revise la programación Comuníquese con la asistencia técnica

Error mostrado	Causa	Resolución
¡Sin código de barras!	No se ha encontrado el código de barras.	Vuelva a introducir la cubeta. Si el código de barras no se reconoce, comuníquese con la asistencia técnica.
Introducción no válida	Contraseña incorrecta.	¿Ha olvidado la contraseña? Comuníquese con la asistencia técnica.
¡Datos no válidos para este parámetro!	No es posible realizar el análisis de datos, no hay datos de mediciones.	Cambie la selección.
No se han encontrado datos válidos.	No es posible ver los datos en el registro de datos.	Cambie la selección.
No hay ninguna función de ayuda.		
No disponibles datos de mediciones.	Los ajustes del análisis de datos no se pueden configurar sin datos de mediciones.	Cambie la selección.
¡Rango de control no alcanzado!	No se han alcanzado los límites del análisis de datos.	Se trata de una advertencia. No se ha alcanzado el límite de control fijado.
¡Se ha superado el rango de control!	Se han superado los límites del análisis de datos.	Se trata de una advertencia. Se ha superado el límite de control.
¡Concentrac. demasiado alta!	La concentración calculada es mayor que 999999.	Diluya la muestra y vuelva a realizar la medición.
Por encima del rango de medida	La absorbancia medida es superior al rango de calibración del test.	Diluya la muestra y vuelva a realizar la medición.

Error mostrado	Causa	Resolución
Por debajo del rango de medida	La absorbancia medida es inferior al rango de calibración del test.	Si fuera posible, seleccione un test con un rango de medida más bajo o utilice una cubeta que tenga un camino mayor.
Posible interferencia por:	Comprobación de interferencias.	Posiblemente el análisis es erróneo debido a interferencias.
Posible interferencia de:	Comprobación de interferencias.	Posiblemente el análisis es erróneo debido a interferencias.
¡Siguiendo inspección está pendiente!		Comuníquese con la asistencia técnica para programar una revisión del instrumento.
¡Resultado negativo!	El resultado calculado es negativo.	Compruebe la concentración de muestra.
¡Condiciones de iluminación inestables!		Evite la luz directa del sol en la ubicación de medición.
Verificación del sistema incorrecta.	Ha fallado la medición de los valores del aire.	Apague el instrumento y vuélvalo a encender. Si la prueba del sistema no es correcta, comuníquese con la asistencia técnica.
Temperatura demasiado alta. ¡No es posible realizar la medición!		Apague el instrumento y deje que se enfríe unos minutos. Si es necesario, llévalo a un lugar más frío.
Errores de actualización		
Se produjo un error al cargar los datos del instrumento.		Vuelva a iniciar el procedimiento o comuníquese con la asistencia técnica.

Error mostrado	Causa	Resolución
Se produjo un error al leer la memoria USB.		Vuelva a iniciar el procedimiento o comuníquese con la asistencia técnica.
Se produjo un error al escribir en la memoria USB.		Vuelva a iniciar el procedimiento o comuníquese con la asistencia técnica.
Compruebe el último fichero de actualización.	Error durante la actualización.	Compruebe la memoria USB.
Comuníquese con el servicio de atención al cliente.	Error durante la actualización.	
Inserte la memoria USB.		Introduzca una memoria USB en un puerto USB A del instrumento.
Actualización del instrumento. Archivo perdido.	Error durante la actualización.	Compruebe la memoria USB.
Actualización del instrumento. Archivo dañado.	Error durante la actualización.	Vuelva a guardar el archivo de actualización y repita el procedimiento.
Error al copiar desde la memoria USB.	Error durante la actualización	Vuelva a iniciar el procedimiento o comuníquese con la asistencia técnica.
¡Ningún backup de instrumento disponible!		Compruebe la memoria USB.
Memoria insuficiente para la actualización.	Error durante la actualización.	Seleccione una memoria con más espacio.
El archivo de actualización es defectuoso.	Error durante la actualización.	Vuelva a guardar el archivo de actualización y repita el procedimiento.

Error mostrado	Causa	Resolución
Memoria USB no conectada.	No es posible realizar la actualización.	Compruebe la memoria USB.
Errores de conexión de red		
Compruebe la configuración de red.		
Compruebe la conexión.		
Compruebe la conexión y contacte con su administrador.	Error de configuración de red o FTP.	
Error al llamar a la dirección IP local.	Configuración de red: el cliente DHCP no tiene conexión con el servidor DHCP.	Vuelva a introducir la dirección IP.
Error durante la configuración del gateway por defecto.	Configuración de red: el gateway por defecto no se puede configurar para una dirección IP fija.	Intente volver a crear la conexión.
¡Error durante la configuración de la unidad de red!	Error durante la configuración de la red. El directorio de destino no existe.	Compruebe los ajustes. Defina el directorio de destino.
Error durante la configuración de la máscara de subred.	Configuración de red: la máscara de subred no se puede configurar para una dirección IP fija.	Vuelva a introducir la máscara de subred.
Error en la conexión FTP.	Error de FTP.	Asegúrese de que el instrumento esté conectado a la red.
Red apagada.	La Configuración de red se apaga cuando se accede a la página de inicio de Instrumentos a través de la barra lateral.	Active la conexión en línea.

Error mostrado	Causa	Resolución
Servidor remoto inalcanzable.	Error durante la configuración de la red.	Asegúrese de que el instrumento esté conectado a la red. La dirección fija de DR 6000 es inválida.
Servidor remoto inaccesible.	La dirección fija de DR 6000 es inválida. El nombre del servidor ingresado es incorrecto.	Cambie a "Automático". Ingrese el nombre del servidor correcto.
Servidor Web inalcanzable.	No se puede encontrar la página de inicio de Instrumentos.	Vuelva a intentar realizar la conexión más tarde.

Piezas de repuesto


Descripción	Nº No.
Lámpara halógena	A23778
Lámpara de deuterio	A23792
Adaptador de cubetas universal	LZV902.99.0002 0
Cable de conexión EU	YAA080
Cable de conexión CH	XLH051
Cable de conexión GB	XLH057
Cable de conexión US	1801000
Cable de conexión China/Australia	XLH069
Fusible	A23772
Filtro	LZV915
Funda guardapolvo	LZV886
Protección de interfaz USB	LZV881

Caractéristiques techniques

Sous réserve de modifications !

Caractéristiques de performance	
Mode de fonctionnement	Transmission (%), Absorption et Concentration
Lampe source	Lampe au deutérium (UV) et lampe halogène (plage visible)
Gamme de longueurs d'onde	190–1100 nm
Précision de la longueur d'onde	± 1 nm (gamme de longueurs d'onde 200-900 nm)
Reproductibilité des longueurs d'onde	< 0.1 nm
Résolution de la longueur d'onde	0.1 nm
Etalonnage de la longueur d'onde	Automatique
Sélection de la longueur d'onde	Automatique, fondée sur la sélection de la méthode
Vitesse de balayage	900 nm/min (par étapes de 1 nm)
Largeur de bande spectrale	2 nm (1.5–2.9 nm à 656 nm, 1 nm pour ligne D2)
Plage de mesure photométrique	± 3 Abs (gamme de longueurs d'onde 200-900 nm)
Exactitude photométrique	5 mAbs à 0.0–0.5 Abs < 1% à 0.50–2.0 Abs à 546 nm
Linéarité photométrique	< 0.5% à 2 Abs ≤ 1% à > 2 Abs avec verre neutre à 546 nm
Lumière parasite	Solution KI à 220 nm < 3.3 Abs / < 0.05%

Caractéristiques de performance	
Déviati on photométrique par rapport à la mesure vide (ligne de base stable pendant 30 min)	190–199 nm +/- 0.0100 Abs 200–349 nm +/- 0.0054 Abs 350–899 nm +/- 0.0034 Abs 900–1100 nm +/- 0.0100 Abs
Stabilité à long terme	Point zéro à 546 nm pendant 10 heures ≤ 0.0034 Abs
Journal de données	5000 valeurs de mesure (résultat, date, heure, ID échantillon, ID opérateur) 50 balayages, balayages 50 fois
Programmes utilisateur	200
Caractéristiques physiques et environnementales	
Largeur	500 mm (19.69 po)
Hauteur	215 mm (8.46 po)
Profondeur	460 mm (18.11 po)
Poids	11 kg (24.25 lb)
Conditions ambiantes de fonctionnement requises	10–40 °C (50–104 °F), maximum 80% d'humidité relative (sans condensation)
Conditions ambiantes de stockage requises	25–60 °C (13–140 °F), maximum 80% d'humidité relative (sans condensation)
Autres caractéristiques techniques	
Branchement électrique	100–240 V/50–60 Hz
Consommation électrique	150 VA
Fusible	T 2A H ; 250 V (2 unités)

Caractéristiques de performance	
Interfaces	Utilisez uniquement un câble blindé d'une longueur de 3 m maximum : 2x USB type A 1x USB type B Utilisez uniquement un câble blindé (par exemple STP, FTP, S/FTP) d'une longueur de 20 m maximum : 1x Ethernet
Caractéristiques du boîtier	IP20 avec couvercle de compartiment pour cuves fermé
Classe de protection	Classe I
	Ce produit a été testé selon les exigences de CAN/CSA-C22.2 n° 610010-1, deuxième édition, y compris l'amendement 1, ou une version ultérieure de cette norme présentant le même niveau d'exigences de test.
Degré de pollution	2
Catégorie d'installation	II
Altitude maximale	2000 m (6560 pi.)

Informations générales

Consignes de sécurité

Lisez attentivement l'ensemble du manuel d'utilisation avant de déballer, de configurer ou d'utiliser l'appareil. Respectez toutes les consignes de sécurité et tous les avertissements. Le non-respect de ces consignes peut provoquer des blessures graves chez l'opérateur ou endommager l'appareil.

Pour vous assurer que la protection fournie par cet appareil n'est pas affectée, n'utilisez pas ou n'installez pas ce dernier d'une autre façon que celle décrite dans ces instructions d'utilisation.

 **DANGER**

Signale une situation potentiellement dangereuse ou un danger imminent qui, s'il n'est pas évité, peut entraîner des blessures graves ou mortelles.

 **AVERTISSEMENT**

Indique une situation dangereuse potentielle ou imminente qui, si elle n'est pas évitée, peut entraîner des blessures graves voire mortelles.

 **ATTENTION**

Indique une situation dangereuse potentielle susceptible d'entraîner des blessures mineures ou de moyenne gravité.




AVERTISSEMENT

Indique une situation qui, si elle n'est pas évitée, peut endommager l'appareil. Informations nécessitant une mise en avant particulière.

Remarque : Informations supplémentaires pour l'utilisateur.

Étiquettes d'avertissement

Respectez tous les marquages et étiquettes apposés sur l'appareil. Le non-respect de ces consignes peut provoquer des blessures ou endommager l'appareil. Vous trouverez des notes d'avertissement correspondant aux symboles apposés sur l'appareil dans le manuel d'utilisation.

	Ce symbole peut être apposé sur l'appareil. Il fait référence aux consignes d'utilisation et/ou de sécurité fournies dans le manuel d'utilisation.
	Ce symbole apposé sur l'appareil indique les surfaces chaudes.
	<p>Il est interdit de mettre au rebut le matériel électrique portant ce symbole dans les décharges publiques ou industrielles européennes depuis le 12 août 2005. Conformément aux dispositions en vigueur (directive de l'UE 2002/96/CE), à compter de cette date, les consommateurs de l'UE doivent retourner les anciens appareils électriques à leur fabricant à des fins de mise au rebut. Cette opération est gratuite pour le consommateur.</p> <p>Remarque : <i>Contactez le fabricant ou le fournisseur pour savoir comment renvoyer les appareils usés, les accessoires électriques fournis par le fabricant et tous les éléments auxiliaires afin de les mettre au rebut correctement ou les recycler.</i></p>

⚠ AVERTISSEMENT

Le fabricant ne peut être tenu responsable de dommages résultant d'une utilisation incorrecte ou abusive du produit, notamment (sans limitation) les dommages matériels directs et indirects. Le fabricant rejette toute responsabilité quant à ces dommages dans la mesure permise par la loi en vigueur.

L'utilisateur est seul responsable de la vérification des risques d'application critiques et de la mise en place de mécanismes de protection des processus en cas de défaillance de l'équipement.

Sécurité autour des lampes sources

Les lampes sources fonctionnent à haute température.

Pour éviter tout risque d'électrocution, vérifiez que l'instrument est débranché de l'alimentation avant de remplacer les lampes.

⚠ ATTENTION

Risque pour la santé causé par l'ozone.

Des niveaux dangereux d'ozone peuvent être générés lorsque la lampe UV n'est pas refroidie.

⚠ AVERTISSEMENT

Risque pour la santé causé par la lumière UV.

La lumière UV peut provoquer des lésions oculaires et cutanées. Protégez vos yeux et votre peau d'une exposition directe aux ultraviolets.

Ne regardez pas directement une lampe sous tension sans porter des lunettes de protection anti-UV.

⚠ ATTENTION

Risque de brûlure. Laissez les lampes refroidir pendant au moins 30 minutes avant de procéder à leur inspection/remplacement.

Module RFID (sur certains modèles uniquement)

La technologie RFID est une application radio. Les applications radio sont soumises à des autorisations nationales. L'utilisation du DR 6000 (modèle contenant un module RFID) est actuellement autorisée dans les pays suivants : UE, CH, NO, HR, RS, MK, TR, CY, US, CA, AU, NZ. Nous signalons que l'utilisation du DR 6000 (modèle contenant un module RFID) en dehors des pays indiqués peut constituer une infraction aux lois nationales. Le fabricant se réserve le droit d'obtenir une autorisation dans d'autres pays. Pour toute question concernant l'utilisation de l'appareil dans votre région, veuillez contacter votre distributeur.

Le DR 6000 contient un module RFID pour la réception et la transmission des informations et des données. Le module RFID fonctionne à une fréquence de 13.56 MHz.

AVERTISSEMENT

Le spectrophotomètre ne doit pas être utilisé dans des environnements dangereux.

Le fabricant et ses fournisseurs rejettent toute garantie explicite ou implicite pour toute utilisation dans le cadre d'activités à haut risque.

Respectez les informations de sécurité suivantes en complément des directives locales en vigueur.

Informations permettant d'utiliser l'instrument en toute sécurité :

- N'utilisez pas l'instrument dans des lieux tels que des hôpitaux, ni à proximité des équipements médicaux tels que des pacemakers ou des prothèses auditives.
- N'utilisez pas l'instrument à proximité de substances hautement inflammables, telles que des carburants, des produits chimiques hautement combustibles et des explosifs.
- N'utilisez pas l'instrument à proximité de gaz combustibles, de vapeurs ou de poussières.
- Évitez toute vibration ou choc sur l'instrument.
- L'instrument peut provoquer des interférences sur les télévisions, radios et ordinateurs situés à proximité.
- N'ouvrez pas l'instrument.
- La garantie est annulée si l'instrument n'est pas utilisé conformément aux instructions fournies dans le présent document.

Certification (module RFID intégré)

FCC ID: YUH-QR15HL

IC: 9278A-QR15HL

Ce dispositif est conforme à la partie 15 des réglementations FCC et aux normes CNR d'Industrie Canada relatives aux appareils exempts de licence.

Le fonctionnement est soumis aux deux conditions suivantes :

1. ce dispositif n'est pas susceptible d'entraîner des interférences et
2. ce dispositif doit tolérer toute interférence reçue, y compris les interférences pouvant entraîner un fonctionnement intempestif du dispositif.

Le présent appareil est conforme aux CNR d'Industrie Canada applicables aux appareils radio exempts de licence.

L'exploitation est autorisée aux deux conditions suivantes :

1. l'appareil ne doit pas produire de brouillage, et
2. l'utilisateur de l'appareil doit accepter tout brouillage radioélectrique subi, même si le brouillage est susceptible d'en compromettre le fonctionnement.

Les modifications apportées à cet équipement qui n'ont pas été expressément approuvées par le responsable de la conformité pourraient annuler l'autorité dont l'utilisateur dispose pour utiliser cet équipement.

Cet équipement a été testé et déclaré conforme aux limites définies pour les appareils numériques de classe A, conformément à la section 15 de la réglementation FCC. Ces limites sont conçues pour fournir une protection suffisante contre les interférences dommageables lorsque l'équipement est utilisé dans un environnement commercial. Cet équipement génère, utilise et peut irradier l'énergie des fréquences radio et, s'il n'est pas installé ou utilisé conformément au mode d'emploi, il peut entraîner des interférences dangereuses pour les communications radio. Le fonctionnement de cet équipement dans une zone résidentielle risque de causer des interférences nuisibles, dans ce cas l'utilisateur doit corriger les interférences à ses frais. Les techniques ci-dessous peuvent permettre de réduire les problèmes d'interférences :

1. Débrancher l'équipement de la prise de courant pour vérifier s'il est ou non la source des interférences.
2. Si l'équipement est branché sur le même circuit de prises que l'appareil qui subit des interférences, branchez l'équipement sur un circuit différent.
3. Éloigner l'équipement du dispositif qui reçoit l'interférence.
4. Repositionnez l'antenne de réception de l'appareil recevant l'interférence.
5. Essayez de combiner les différentes options proposées ci-dessus.

Sécurité chimique et biologique

DANGER

Danger potentiel en cas de contact avec des substances chimiques/biologiques.

La manipulation d'échantillons chimiques, d'étalons et de réactifs peut s'avérer dangereuse.

Familiarisez-vous avec les procédures de sécurité nécessaires et avec les méthodes de manipulation appropriées pour les produits chimiques avant de commencer à travailler. Veuillez également lire et respecter toutes les fiches techniques de sécurité concernées.

Le fonctionnement normal de cet appareil peut nécessiter l'utilisation de substances chimiques ou d'échantillons présentant un danger biologique.

- Respectez toutes les informations de mise en garde imprimées sur les flacons contenant les solutions initiales, ainsi que les informations fournies dans les fiches techniques de sécurité.
- Détruisez toutes les solutions usagées conformément aux réglementations et lois nationales.
- Utilisez un équipement de protection adapté à la concentration et à la quantité du matériau dangereux utilisé.

Présentation du produit

Le DR 6000 est un spectrophotomètre de type UV-VIS présentant une plage de longueurs d'onde comprise entre 190 et 1100 nm. Le spectre visible (320 à 1100 nm) est couvert par une lampe halogène et une lampe au deutérium produit la lumière comprise dans le spectre ultraviolet (190 à 360 nm).

L'instrument est livré avec une série complète de programmes et prend en charge plusieurs langues.

Le spectrophotomètre DR 6000 comporte les programmes et modes de fonctionnement suivants :

- Programmes enregistrés (tests préinstallés)
- Programmes codes-barres
- Programmes utilisateur

- Favoris
- Longueur d'onde unique
- Longueur d'onde - multi
- Balayage de longueurs d'onde
- Plage de temps

Le spectrophotomètre DR 6000 fournit des lectures numériques de concentration, d'absorption et de pourcentage de transmission.

Lorsqu'une méthode générée par l'utilisateur ou préprogrammée est sélectionnée, les menus et messages qui s'affichent à l'écran dirigent l'utilisateur tout au long du test.

Ce système de menus peut également créer des rapports, des évaluations statistiques des courbes d'étalonnage générées, et établir un rapport sur les contrôles diagnostics de l'instrument.

Installation

AVERTISSEMENT

Dangers électriques et risque d'incendie.

Utilisez uniquement le câble d'alimentation fourni.

Les tâches décrites dans cette section du manuel doivent être réalisées exclusivement par des experts qualifiés dans le respect de toutes les réglementations de sécurité locales en vigueur.

AVERTISSEMENT

Les câbles d'alimentation amovibles ne doivent pas être remplacés par des câbles d'alimentation aux dimensions inadéquates.

Déballage de l'appareil

La boîte du spectrophotomètre DR 6000 contient les éléments suivants :

- Spectrophotomètre DR 6000
- Cache anti-poussière
- Pare-poussière USB standard
- Cordon d'alimentation pour les USA et l'UE (en cas d'envoi vers la Chine, un cordon d'alimentation pour la Chine est inclus)
- Adaptateur pour cuves universel
- Mention RFID opérateur (sur certains modèles uniquement)
- Une paire de cuves d'un pouce assorties
- Manuel d'utilisation du DR 6000 de base, manuel d'utilisation LINK2SC

Pour plus d'informations, veuillez consulter les documents et manuels d'utilisation disponibles sur le site Internet du fabricant.

Remarque : Si un élément est absent ou endommagé, veuillez contacter immédiatement le fabricant ou un représentant.

Conditions d'utilisation

Respectez les points suivants afin de garantir le bon fonctionnement de l'appareil et de prolonger sa durée de vie.

- Placez l'appareil sur une surface plane, afin qu'il soit stable. Ne placez aucun objet sous l'appareil.
- Positionnez l'appareil de sorte à ne pas bloquer le cordon d'alimentation.
- La température ambiante doit être comprise entre 10 et 40 °C (50 et 104 °F).

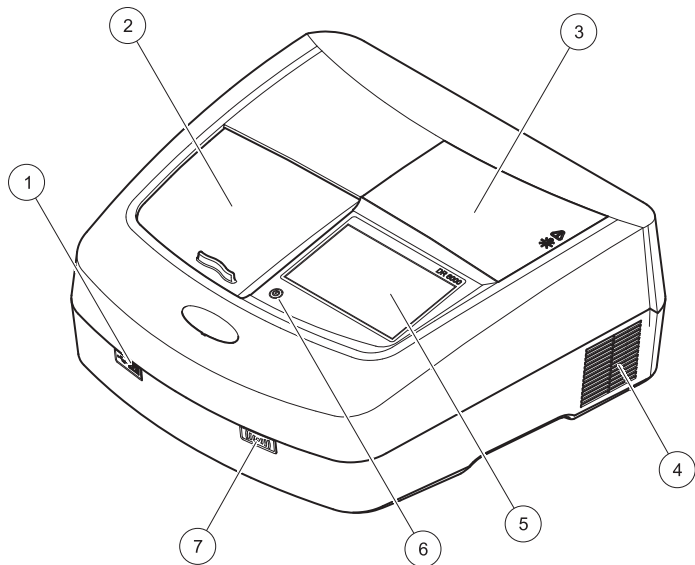
AVIS

Protégez l'instrument des températures extrêmes provenant d'appareils de chauffage, du rayonnement solaire direct et d'autres sources de chaleur.

- L'humidité relative doit être inférieure à 80% et aucune condensation ne doit se former sur l'instrument.
- Conservez un espace d'au moins 15 cm au-dessus et autour de l'instrument pour la circulation de l'air, afin d'éviter une surchauffe des composants électriques.
- N'utilisez pas ou ne stockez pas l'instrument dans un endroit extrêmement poussiéreux ou humide.
- Faites en sorte que la surface de l'instrument, le compartiment pour cuves et tous les accessoires soient toujours propres et secs. Éliminez immédiatement les éclaboussures ou tout produit renversé sur ou dans l'instrument (voir la [Entretien, page 83](#)).

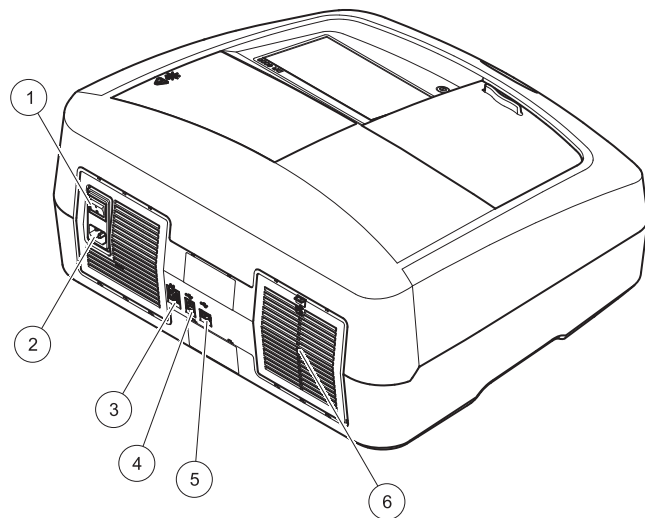
Vues avant et arrière

Figure 1 Vue avant



1	Port USB type A	5	Ecran tactile
2	Couvercle de compartiment pour cuves	6	Touche économie d'énergie
3	Couvercle du compartiment de la lampe	7	Module RFID (sur certains modèles uniquement)
4	Sortie du ventilateur		

Figure 2 Vue arrière



1	Interrupteur marche/arrêt	4	Port USB type B
2	Prise pour le câble d'alimentation	5	Port USB type A
3	Port Ethernet	6	Couvercle du coussinet de filtre

Branchements électriques

AVIS

Utilisez uniquement une prise reliée à la terre pour raccorder cet appareil à l'alimentation secteur. Si vous n'êtes pas certain que les prises sont raccordées à la terre, faites-les vérifier par un électricien qualifié. La fiche d'alimentation, en plus de l'alimentation, sert à isoler rapidement l'appareil du secteur en cas de besoin. Au cours du débranchement de l'alimentation secteur, veillez à retirer la prise d'alimentation appropriée (par ex., en apposant des étiquettes sur les prises). Ce débranchement est recommandé en cas de non-utilisation prolongée et pour éviter les dangers susceptibles de découler d'un dysfonctionnement. Veillez donc à ce que la prise sur laquelle l'appareil est branché soit toujours à portée de l'utilisateur.

⚠ AVERTISSEMENT

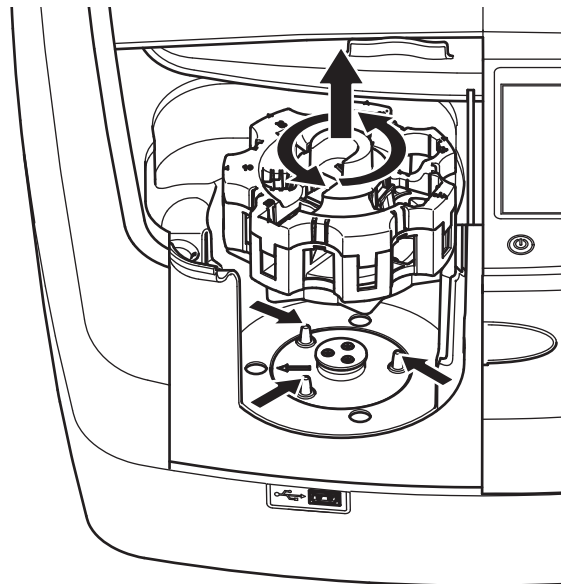
Dangers électriques et risque d'incendie.
Utilisez uniquement le câble d'alimentation fourni.

1. Branchez le câble d'alimentation à l'arrière de l'instrument ([Vue arrière, page 65](#)).
2. Insérez la fiche du câble d'alimentation dans une prise reliée à la terre (100–240 V~ / 50–60 Hz).
3. Mettez le bouton d'alimentation sur On (Marche) pour mettre l'instrument sous tension ([Vue arrière, page 65](#)).

Positionnement de l'adaptateur pour cuves universel

1. Ouvrez le compartiment pour cuves.
2. Soulevez l'adaptateur pour cuves universel d'environ 1 cm.
3. Faites pivoter l'adaptateur pour cuves universel de sorte que le guide du profil de cuve requis soit orienté vers la gauche du compartiment pour cuves (1).
4. Enfoncez l'adaptateur pour cuves universel jusqu'à ce qu'il s'enclenche.

Figure 3 Positionnement de l'adaptateur pour cuves universel



Démarrage

Mise en marche de l'instrument, processus de démarrage

1. Branchez le câble d'alimentation sur une prise de courant.
2. Mettez l'instrument sous tension à l'aide de l'interrupteur situé au dos de l'instrument.
3. L'appareil lance automatiquement un processus de démarrage d'environ 45 secondes. L'écran affiche le logo du fabricant. A la fin du processus de démarrage; une mélodie de démarrage est émise.

Remarque : Attendez environ **20 secondes** avant de remettre en marche afin de ne pas endommager le système électronique et mécanique de l'instrument.

Sélection de la langue



Le logiciel du DR 6000 contient plusieurs langues. Au premier démarrage de l'instrument, l'écran de sélection de la langue s'affiche automatiquement après le processus de démarrage.

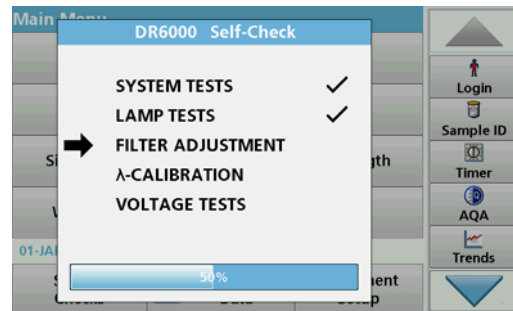
1. Sélectionnez la langue souhaitée.
2. Appuyez sur **OK** pour confirmer la langue sélectionnée. L'autodiagnostic démarre alors automatiquement.

Modification du paramètre de langue

Tant que cette option n'est pas modifiée, l'instrument fonctionne dans la langue sélectionnée.

1. Mettez l'instrument sous tension.
2. Pendant le processus de démarrage, touchez l'écran à n'importe quel endroit (pendant environ 45 secondes) jusqu'à ce que la liste de sélection de la langue s'affiche.
3. Sélectionnez la langue souhaitée.
4. Appuyez sur **OK** pour confirmer la langue sélectionnée. L'autodiagnostic démarre alors automatiquement.

Autodiagnostic



Un programme de test est lancé à chaque démarrage de l'instrument.

Cette procédure, qui dure environ deux minutes, contrôle le système, la lampe, le réglage des filtres, l'étalonnage de la longueur d'onde et la tension. Chaque fonction vérifiée est marquée en conséquence sur l'écran.

Une fois les diagnostics terminés, le menu principal s'affiche.

Remarque : Si d'autres messages d'erreur s'affichent pendant le programme de test, reportez-vous à la [Dépannage, page 83](#).

Mode veille



L'instrument peut être mis en veille.

1. Appuyez sur la touche d'économie d'énergie située sous l'écran.
Le message « Mode veille » s'affiche. L'écran s'éteint alors automatiquement.
2. Appuyez à nouveau sur la touche d'économie d'énergie pour rallumer l'écran.
L'autodiagnostic démarre automatiquement.
L'instrument est alors prêt à fonctionner.

Arrêt de l'instrument

1. Appuyez sur l'interrupteur de mise sous tension situé à l'arrière de l'instrument.

Programmes standard

Présentation

Conseils d'utilisation de l'écran tactile

L'ensemble de l'écran réagit au toucher. Vous pouvez effectuer des sélections avec les ongles, le bout des doigts, une gomme ou un stylet. Ne touchez pas l'écran avec des objets pointus (par exemple la pointe d'un stylo à bille).

- Ne posez aucun objet sur l'écran, sous peine de l'endommager ou de le rayer !
- Appuyer sur les boutons, mots ou icônes pour les sélectionner.
- Utilisez les barres de défilement pour vous déplacer rapidement dans les longues listes. Touchez une barre de défilement et maintenez le contact, puis effectuez un mouvement vers le haut ou vers le bas pour vous déplacer dans la liste.
- Pour sélectionner un élément de la liste, touchez-le une fois. Lorsque l'élément a été correctement sélectionné, son mode d'affichage est inversé (texte clair sur fond sombre).

Utilisation du clavier alphanumérique



Le clavier alphanumérique sert à entrer des lettres, des chiffres et des symboles pour la programmation de l'instrument. Les options non disponibles sont désactivées (grisées). Les symboles à gauche et à droite de l'écran sont décrits dans [Tableau 1](#).

Les désignations du clavier central varient en fonction de la fonction de saisie sélectionnée. Appuyez plusieurs fois sur chaque touche jusqu'à ce que le caractère souhaité s'affiche à l'écran. Pour entrer une espace, utilisez le trait de soulignement de la touche **YZ_**.

Appuyez sur **Annuler** pour annuler une entrée ou sur **OK** pour la valider.

Remarque : Il est également possible d'utiliser un clavier USB (format américain) ou un scanner à codes-barres manuel (reportez-vous à la [Pièces de rechange, page 86](#)).

Tableau 1 Clavier alphanumérique

Icône/ touche	Description	Fonction
ABC/abc	Alphabétique	Permet de basculer le mode de saisie entre majuscules et minuscules.
# %	Symboles	Il est possible de saisir des signes de ponctuation, des symboles et des indices et exposants numériques.
123	Numérique	Pour saisir des chiffres ordinaires.
CE	Suppression de l'entrée	Efface l'entrée.
Flèche gauche	Touche Retour	Supprime le caractère actuel et recule d'une position.
Flèche droite	Suivant	Accède à l'espace suivant d'une entrée.

Menu principal



Plusieurs modes peuvent être sélectionnés à partir du Menu principal. Le tableau suivant décrit brièvement chaque option du menu.

Une barre d'outils se trouve à droite de l'écran. Appuyez ici pour activer les différentes fonctions.

Tableau 2 Options du Menu principal

Option	Fonction
Programmes enregistrés/ Programmes codes-barres (programmes HACH-LANGE)	Les programmes enregistrés sont des méthodes préprogrammées qui utilisent des produits chimiques HACH et des tests en cuves HACH-LANGE. Pour plus d'informations, des instructions de process illustrées et détaillant chaque étape à suivre pour effectuer des analyses avec les programmes HACH sont disponibles le site Internet.

Tableau 2 Options du Menu principal

Option	Fonction
Programmes utilisateur	<p>Les programmes utilisateur permettent de réaliser des « analyses sur mesure » :</p> <ul style="list-style-type: none"> • Les utilisateurs peuvent programmer les méthodes qu'ils ont développées eux-mêmes. • Les procédures HACH et HACH-LANGE existantes peuvent être enregistrées en tant que programmes utilisateur. Ces procédures peuvent ensuite être modifiées en fonction d'exigences spécifiques.
Favoris	Liste des méthodes/tests créés par l'utilisateur pour répondre à ses propres besoins.
Longueur d'onde unique	<p>Les mesures de longueur d'onde unique incluent :</p> <p>Mesures d'absorption : la lumière absorbée par l'échantillon est mesurée en termes d'unités d'absorption.</p> <p>Mesures de transmission (%) : mesure le pourcentage de lumière incidente qui traverse l'échantillon et atteint le détecteur.</p> <p>Mesures de concentration : un facteur de concentration peut être entré pour pouvoir convertir les valeurs d'absorption mesurées en valeurs de concentration.</p>
Longueur d'onde multiple	En mode Longueur d'onde multiple, l'absorption (Abs) ou le pourcentage de transmission (%T) est mesuré(e) à quatre longueurs d'onde différentes maximum, puis les différences et les relations d'absorption sont calculées. De simples conversions en concentrations sont également possibles.
Balayage de longueurs d'onde	Un balayage de longueurs d'onde montre la manière dont la lumière émise par un échantillon est absorbée sur un spectre de longueurs d'onde défini. Cette fonction peut être utilisée pour déterminer la longueur d'onde à laquelle la valeur d'absorption maximale peut être mesurée. Le comportement d'absorption s'affiche sous forme de graphique pendant le balayage.
Plage de temps	Le balayage de plage de temps enregistre l'absorption ou le pourcentage de transmission à une longueur d'onde sur une période de temps définie.

Tableau 2 Options du Menu principal

Option	Fonction
Vérifications du système	Le menu « Vérifications du système » offre plusieurs options : Vérifications optiques, Résultats vérifications, Historiques de la lampe, Mise à jour de l'instrument, Temps de service, Paramètres d'Assurance qualité analytique et Sauvegarde de l'appareil.
Rappel de mesures	Les données enregistrées peuvent être rappelées, filtrées, envoyées ou supprimées.
Configuration de l'instrument	Dans ce mode, des paramètres spécifiques à l'utilisateur ou à une méthode peuvent être saisis : ID opérateur, ID échantillon, date et heure, son, PC et imprimante, mot de passe, mode économie d'énergie et données enregistrées.

Enregistrement, rappel, envoi et suppression des données

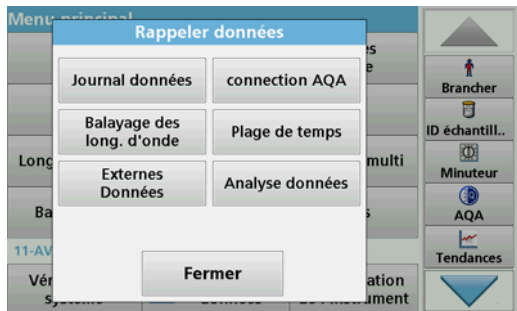
Le journal des données

Le journal des données peut stocker jusqu'à 5000 mesures enregistrées par les programmes suivants :

- Programmes enregistrés,
- Programmes codes-barres,
- Programmes utilisateur,
- Favoris,
- Longueur d'onde unique et
- Longueur d'onde multiple.

Il garde un enregistrement complet de l'analyse, comprenant la date, l'heure, les résultats et l'ID de l'échantillon ainsi que l'ID de l'opérateur.

Rappel des données enregistrées dans le journal des données



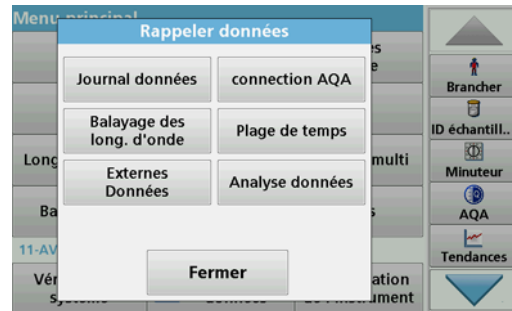
1. Sélectionnez **Rappel données** dans le menu principal.



2. Appuyez sur **Journal données** .
La liste des données enregistrées s'affiche.



3. Appuyez sur **Filtre : Activer/Désactiver**.
La fonction **Paramètres du filtre** sert à rechercher des éléments spécifiques.
4. Sélectionnez **Activer**. Les données peuvent désormais être filtrées à l'aide des critères de sélection suivants.
 - ID échantillon
 - ID opérateur
 - Date de début
 - Paramètreou bien une combinaison des quatre.



- Appuyez sur **OK** pour valider la sélection.
Les éléments choisis apparaissent dans la liste.

Envoi de données à partir du journal des données

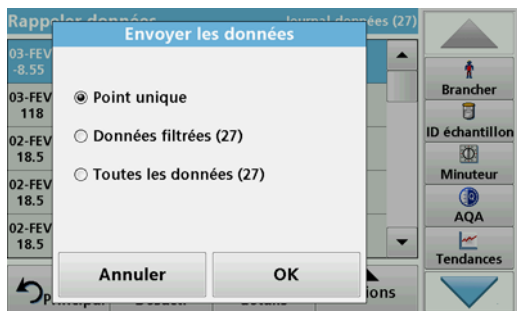
Les données sont envoyées au format XML (Extensible Markup Language) ou CSV (Comma Separated Value) depuis le journal des données interne vers un répertoire nommé DataLog sur un périphérique de stockage USB ou un disque réseau. Ce fichier peut ensuite être utilisé avec un programme de feuilles de calcul. Le nom de fichier est au format DLAnnée-Mois-Jour_Heure_Minute_Seconde.csv ou DLAnnée-Mois-Jour_Heure_Minute_Seconde.xml.

- Branchez le périphérique de stockage USB sur l'interface USB A du DR 6000 ou connectez le DR 6000 à un disque réseau.
- Sélectionnez **Rappel données** dans le menu principal.
- Sélectionnez la catégorie de données à transférer, par ex. **Journal données**.

La liste des données de mesure sélectionnées s'affiche.



4. Touchez **Options**, puis le symbole **PC et imprimante**.



5. Sélectionnez les données à envoyer. Les options suivantes sont disponibles :
- **Point unique** : seule la mesure sélectionnée est envoyée
 - **Données filtrées** : seules les mesures correspondant aux filtres définis sont envoyées
 - **Toutes les données** : toutes les données de la catégorie sélectionnée sont envoyées.
6. Appuyez sur **OK** pour valider.

Remarque : Le nombre entre parenthèses correspond au nombre total d'ensembles de données affectés à cette sélection.

Programmes enregistrés

Plus de 200 processus préprogrammés peuvent être rappelés via le menu **Programmes enregistrés**. Les **Programmes enregistrés** n'incluent pas de tests à codes-barres.

Sélection d'un test ou d'une méthode enregistré(e) en entrant les données de base de l'utilisateur



1. Appuyez sur **Programmes enregistrés** dans le menu principal pour afficher une liste alphabétique des programmes enregistrés et de leur numéro respectif.

La liste « Programmes enregistrés » s'affiche.

2. Sélectionnez le test de votre choix.

Remarque : Sélectionnez le programme par son nom ou faites défiler la liste à l'aide des touches fléchées. Sélectionnez le programme ou appuyez sur **Sélection par N°** pour rechercher un numéro de programme spécifique. Appuyez sur **OK** pour valider.

3. Appuyez sur **Démarrer** pour lancer le programme. La fenêtre de mesure correspondante s'affiche.

Remarque : Toutes les données correspondantes (longueur d'onde, facteurs et constantes) sont déjà prédéfinies.

4. Suivez les instructions relatives aux procédures impliquant des produits chimiques. Pour plus d'informations, veuillez consulter les documents et manuels d'utilisation disponibles sur le site Internet du fabricant.

Remarque : Pour afficher les instructions de procédures à l'écran, appuyez sur l'icône d'informations. Cette option n'est pas disponible pour tous les tests.

Analyse des échantillons



1. Appuyez sur **Programmes enregistrés** et sélectionnez un programme.
Remarque : Le cas échéant, les instructions relatives à la procédure sont indiquées sur l'écran via l'icône Infos.
2. Insérez la cuve de solution zéro dans le compartiment pour cuves.
3. Appuyez sur **Zéro**.



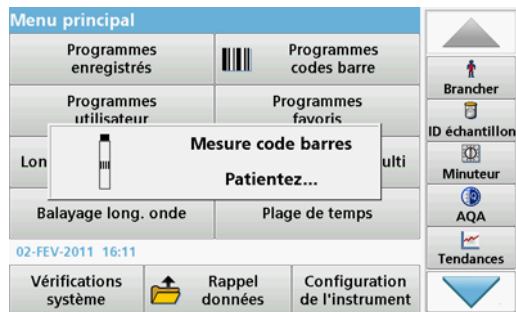
4. Retirez la cuve de solution zéro du compartiment pour cuves. Insérez la cuve d'échantillon dans le compartiment pour cuves.
5. Appuyez sur **Mesurer**. Le résultat s'affiche.
Remarque : Pour définir une dilution d'échantillon, appuyez sur la touche **Dilution** de la barre d'outils.
6. Pour l'enregistrement des données, reportez-vous à la [section Le journal des données, page 70](#).

Programmes codes-barres

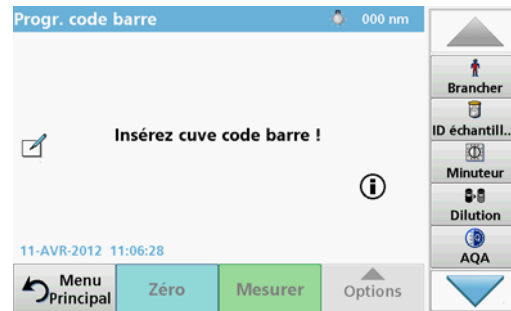
Un lecteur de code-barres spécial, situé dans le compartiment pour cuves n° 1, lit automatiquement le code-barres des cuves ou fioles de 13 mm pendant que ces dernières effectuent une rotation simple. L'instrument utilise l'identification par code-barres pour définir automatiquement la longueur d'onde appropriée pour l'analyse, et calcule immédiatement le résultat grâce aux facteurs enregistrés.

En outre, les mesures sont enregistrées à 10 positions différentes au cours de la rotation. Un programme spécial d'élimination des aberrations calcule la moyenne des valeurs mesurées. Les défauts et contaminations de cuves et cuves rondes sont détectés, ce qui permet de déterminer un résultat très précis.

Réalisation d'un test à codes barres



1. Préparez le test à codes-barres conformément aux instructions de travail et insérez la cuve dans le compartiment pour cuves (1).
 - Lorsqu'une cuve codée est placée dans le compartiment pour cuves (1) ([Positionnement de l'adaptateur pour cuves universel, page 66](#)), le programme de mesure correspondant est activé automatiquement dans le menu principal.



- Autrement, sélectionnez dans le menu principal l'option de menu **Programmes à codes-barres** et insérez une cuve zéro (conformément aux instructions de travail) dans le compartiment pour cuves (1).

Remarque : Pour plus d'informations sur le Manuel d'utilisation (symbole « Informations »).



La mesure commence automatiquement et les résultats s'affichent.

Remarque : Pour définir une dilution d'échantillon, appuyez sur la touche **Dilution** de la barre d'outils.

Pour évaluer d'autres tests sur cuves et d'autres paramètres, insérez la cuve préparée dans le compartiment pour cuves et lisez le résultat.

Remarque : La barre de commande, affichée à droite sur l'écran, montre la relation du résultat entre la mesure et la plage de mesure. La barre bleue montre le résultat de la mesure indépendamment de tout facteur de dilution éventuellement spécifié.



Programmes avancés

Longueur d'onde unique (mesures d'absorption, de concentration et de transmission)

Le mode Longueur d'onde unique peut être utilisé de trois manières. Pour les mesures d'échantillons à longueur d'onde unique, il est possible de programmer l'instrument pour mesurer l'absorption, le pourcentage de transmission ou la concentration de l'analyse.

- Mesures d'absorption : la lumière absorbée par l'échantillon est mesurée en unités d'absorption.
- Le pourcentage de transmission est le pourcentage de lumière incidente qui traverse l'échantillon et atteint le détecteur.
- L'activation du facteur de concentration permet la sélection d'un multiplicateur spécifique pour convertir les mesures d'absorption en concentrations. Sur un graphique représentant la concentration en fonction de l'absorption, le facteur de concentration est la pente de la courbe.

Configuration du mode Longueur d'onde unique

1. Dans le menu principal, appuyez sur **Longueur d'onde unique**.
2. Appuyez sur **Options** pour configurer les paramètres.

Tableau 3 Options de Longueur d'onde unique

Option	Description
Autres...	Pour les autres options.
Symbole de rappel des données de mesure	Pour rappeler des mesures, des balayages de longueurs d'onde ou des plages de temps enregistrés, reportez-vous à la Enregistrement, rappel, envoi et suppression des données, page 70 .
% Trans/Abs	Permet de passer de % de transmission à concentration ou absorption en mode lecture.
λ Longueur d'onde	Saisie du paramètre de longueur d'onde. Utilisez le clavier alphanumérique pour saisir les longueurs d'onde à mesurer. Vous pouvez saisir une longueur d'onde comprise dans la plage 190–1100 nm.
icône Minuterie	Cette fonctionnalité dispose d'un chronomètre. Ce dernier garantit les durées des différentes étapes de l'analyse (par ex. spécification précise du temps de réaction, du temps d'attente, etc.). Une fois le temps spécifié écoulé, un signal sonore est généré. L'utilisation du chronomètre n'a aucune influence sur le programme de mesure.
Facteur de concentration: Off/On (Arrêt/Marche)	Il s'agit du facteur de multiplication pour convertir les valeurs d'absorption en concentrations.
Résolution de la concentration	Sélection du nombre de chiffres après la virgule.



Mode Longueur d'onde multiple - mesures de plusieurs longueurs d'onde

Dans ce mode, les valeurs d'absorption peuvent être mesurées à un maximum de quatre longueurs d'onde et les résultats peuvent être traités mathématiquement pour obtenir des sommes, des différences et des relations.

- Mesures d'absorption : la lumière absorbée par l'échantillon est mesurée en unités d'absorption.
- Le pourcentage de transmission est le pourcentage de lumière incidente qui traverse l'échantillon et atteint le détecteur.
- L'activation du facteur de concentration permet la sélection d'un multiplicateur spécifique pour convertir les mesures d'absorption en concentrations. Sur un graphique représentant la concentration en fonction de l'absorption, le facteur de concentration est la pente de la courbe. La concentration est calculée à l'aide d'un seul facteur pour chaque longueur d'onde, défini par l'opérateur.

Configuration du mode de mesure à différentes longueurs d'onde

Dans le menu principal, appuyez sur **Longueur d'onde - multi** . Appuyez sur **Options** pour configurer les paramètres.

Tableau 3 Options de Longueur d'onde unique (Suite)

Option	Description
Enregistrer comme programme utilisateur	Pour enregistrer les paramètres sélectionnés en tant que Programme utilisateur, reportez-vous à la Longueur d'onde unique (mesures d'absorption, de concentration et de transmission), page 76 .
Mode de mesure	<p>Mesure unique : le résultat d'une mesure s'affiche lorsque vous appuyez sur Lire.</p> <p>Mesures en continu : après la mesure du zéro, toutes les mesures s'affichent automatiquement et en continu.</p> <p>Carrousel 1 pouce carré : mesure facultative d'un insert de carrousel avec 5 cuves carrées maximum.</p> <p>Carrousel 1 cm carré : mesure facultative d'un insert de carrousel avec 7 cuves carrées maximum.</p>
Rappel de données de mesure	Pour rappeler des mesures, des balayages de longueurs d'onde ou des plages de temps enregistrés, reportez-vous à la Enregistrement, rappel, envoi et suppression des données, page 70 .
Mode Configuration de l'instrument	Pour les données de base de l'instrument, reportez-vous à la Enregistrement, rappel, envoi et suppression des données, page 70 .



Tableau 4 Options de configuration du mode Longueur d'onde multiple

Option	Description
Autres...	Pour les autres options.
Symbole de rappel de mesures	Pour rappeler des mesures, des balayages de longueurs d'onde ou des plages de temps enregistrés, reportez-vous à la Enregistrement, rappel, envoi et suppression des données, page 70 .
% Trans/Abs	Permet de passer de % de transmission à concentration ou absorption en mode lecture.
λ Longueur d'onde	Saisie du paramètre de longueur d'onde. Utilisez le clavier alphanumérique pour saisir les longueurs d'onde à mesurer. Vous pouvez saisir une longueur d'onde comprise dans la plage 190–1100 nm.
icône Minuterie	Cette fonctionnalité dispose d'un chronomètre. Ce dernier garantit les durées des différentes étapes de l'analyse (par ex. spécification précise du temps de réaction, du temps d'attente, etc.). Une fois le temps spécifié écoulé, un signal sonore est généré. L'utilisation du chronomètre n'a aucune influence sur le programme de mesure.
Facteur de concentration	Il s'agit du facteur de multiplication pour convertir les valeurs d'absorption en concentrations.
Résolution de la concentration	Sélection du nombre de chiffres après la virgule.
Formule d'absorption	Base de calcul pour l'évaluation des échantillons.



Tableau 4 Options de configuration du mode Longueur d'onde multiple (Suite)

Option	Description
Enregistrer comme programme utilisateur	Pour enregistrer les paramètres sélectionnés en tant que Programme utilisateur, reportez-vous à la Longueur d'onde unique (mesures d'absorption, de concentration et de transmission), page 76 .
Mode de mesure	Mesure unique : une seule mesure est effectuée après une pression sur la touche Lire . Carrousel 1 pouce carré : mesure facultative d'un insert de carrousel avec 5 cuves carrées maximum. Carrousel 1 cm carré : mesure facultative d'un insert de carrousel avec 7 cuves carrées maximum.
Rappel de mesures	Pour rappeler des données de mesure, des balayages de longueurs d'onde ou des plages de temps enregistrés, reportez-vous à la Enregistrement, rappel, envoi et suppression des données, page 70 .
Mode Configuration de l'instrument	Pour les données de base de l'instrument, reportez-vous à la Longueur d'onde unique (mesures d'absorption, de concentration et de transmission), page 76 .

Mode Balayage de longueurs d'onde, enregistrement des spectres d'absorption et de transmission

En mode Balayage de longueurs d'onde, l'absorption de la lumière par une solution sur un spectre de longueurs d'onde défini est mesurée.

Les résultats de mesure peuvent être affichés sous forme de courbe, en pourcentage de transmission (%T) ou en absorption (Abs). Les données collectées peuvent être imprimées sous forme de tableau ou de courbe.

Le format des données peut être modifié. Les options comprennent notamment des fonctions de zoom et de mise à l'échelle automatique. Les valeurs maximum et minimum sont déterminées et affichées dans un tableau.

Il est possible de déplacer le curseur en tout point de la courbe afin de lire la valeur d'absorption ou de transmission et la longueur d'onde correspondante. Les données associées à chaque point de données peuvent également être affichées sous forme de tableau.

Configuration du mode Balayage de longueurs l'onde

Dans le menu principal, appuyez sur **Balayage long. onde**. Appuyez sur **Options** pour configurer les paramètres.



Tableau 5 Options disponibles pendant le balayage de longueurs d'onde

Option	Description
Autres...	D'autres options s'affichent
Icône de dossier	Enregistrement des données de balayage.
Référence : Désactiver/ Activer	Un enregistrement est choisi comme balayage de référence ou superposé dans la liste des balayages enregistrés. Il est possible de le mettre en surbrillance ou de l'afficher en arrière-plan pour le comparer avec le balayage actif. Remarque : Cette option est disponible uniquement lorsque des balayages enregistrés ont été réalisés avec la même gamme de longueurs d'onde et avec la même étape.
λ	Saisissez le spectre de longueur d'onde et l'intervalle de balayage
Icône Minuterie	Cette fonctionnalité dispose d'un chronomètre. Ce dernier garantit les durées des différentes étapes de l'analyse (par ex. spécification précise du temps de réaction, du temps d'attente, etc.). Une fois le temps spécifié écoulé, un signal sonore est généré. L'utilisation du chronomètre n'a aucune influence sur le programme de mesure.



Tableau 5 Options disponibles pendant le balayage de longueurs d'onde (Suite)

Option	Description
Afficher Tableau/ Graphique	Permet de basculer entre l'affichage de données de balayage sous forme de tableau (longueur d'onde/ absorption) et de graphique de la courbe. Remarque : Le mode « Afficher Tableau » est activé après la première mesure.
Mode curseur	Choix entre Suivi et Haut/Bas . Sélectionner cette option de menu permet de déterminer les points du graphique sur lesquels le curseur se déplace.
Envoi de données	Pour envoyer des données vers une imprimante, un ordinateur ou une clé USB (type A)
Intégrale : Activer/ Désactiver	L'intégrale donne l'aire et la dérivée de l'intégrale donne la fonction d'origine.
Echelle et unités	Echelle : en mode de mise à l'échelle automatique, l'axe des y est automatiquement ajusté de manière à afficher le balayage dans son intégralité. Le mode de mise à l'échelle manuelle permet d'afficher des sections du balayage. Unités : choix entre l'absorption et la transmission

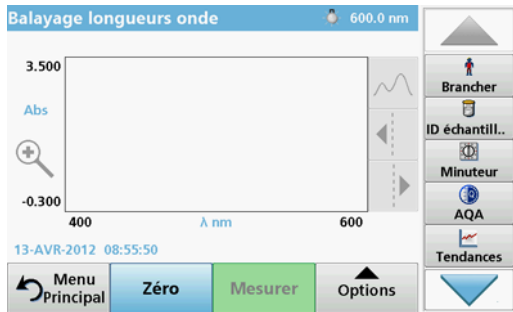


Tableau 5 Options disponibles pendant le balayage de longueurs d'onde (Suite)

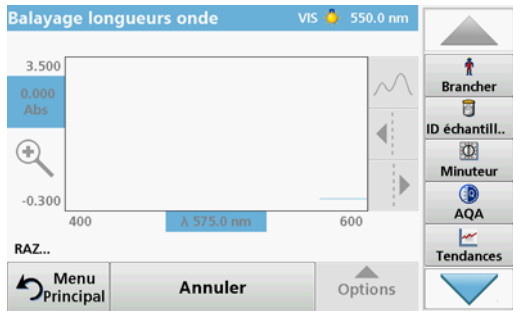
Option	Description
Mode de mesure	Lecture unique : le résultat d'une mesure s'affiche lorsque vous appuyez sur Lire. Carrousel 1 pouce carré : mesure facultative d'un insert de carrousel avec 5 cuves carrées maximum. Carrousel 1 cm carré : mesure facultative d'un insert de carrousel avec 7 cuves carrées maximum.
Rappel de mesures	Pour rappeler des mesures, des balayages de longueurs d'onde ou des plages de temps enregistrés, reportez-vous à la Enregistrement, rappel, envoi et suppression des données, page 70 .
Mode Configuration de l'instrument	Pour les données de base de l'instrument, reportez-vous à la Enregistrement, rappel, envoi et suppression des données, page 70 .

Effectuez un balayage de longueurs d'onde

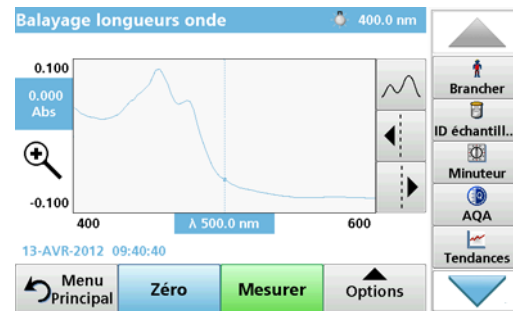
Après avoir sélectionné tous les paramètres de balayage, enregistrez une ligne de base (mesure initiale du zéro). Si vous modifiez un paramètre de balayage, une nouvelle ligne de base doit être enregistrée. Après le balayage de la ligne de base, l'appareil est prêt pour le balayage d'un ou plusieurs échantillons.



1. Dans le menu principal, sélectionnez l'option **Balayage de longueurs d'onde**.
2. Insérez la cuve contenant la solution zéro dans le compartiment pour cuves et fermez le couvercle du compartiment.



3. Appuyez sur **Zéro**.
Le message « RAZ » s'affiche sous le graphique lorsque le balayage de la ligne de base commence.
4. Insérez la cuve préparée pour l'analyse dans le compartiment pour cuves et fermez le couvercle du compartiment.
5. Appuyez sur **Mesurer**.
Le message « Mesure... » s'affiche sous le graphique et un graphique représentant les valeurs d'absorption ou de transmission des longueurs d'onde balayées s'affiche en continu.



Le balayage de longueurs d'onde est terminé lorsque :

- le graphique est affiché en entier,
- la mise à l'échelle ajuste automatiquement l'axe des x,
- les fonctions du curseur dans la barre de navigation verticale sont actives.
- un signal sonore est généré
- Pour enregistrer le balayage, appuyez sur **Options > Symbole d'enregistrement**.

Absorption/transmission sur une plage de temps

Le mode Plage de temps sert à collecter des données d'absorption ou de transmission pendant une période de temps spécifiée par l'utilisateur. Ces données peuvent être affichées sous forme de graphique ou de tableau.

Configuration des paramètres du mode Plage de temps

1. Dans le menu principal, appuyez sur **Plage de temps**.
2. Appuyez sur **Options** pour configurer les paramètres.



Tableau 6 Options du mode Plage de temps

Option	Description
Autres...	Autres options
Icône de dossier	Enregistrement des données de balayage.
Temps et intervalle	Saisie de la durée totale de la collecte des données et de l'intervalle de temps entre la collecte des points de données.
λ	Saisie du paramètre de longueur d'onde
Afficher tableau	Affichage des mesures d'absorption, de transmission ou de concentration. Ce paramètre peut être modifié après la collecte des données de l'échantillon
Icône Minuterie	Cette fonctionnalité dispose d'un chronomètre. Ce dernier garantit les durées des différentes étapes de l'analyse (par ex. spécification précise du temps de réaction, du temps d'attente, etc.). Une fois le temps spécifié écoulé, un signal sonore est généré. L'utilisation du chronomètre n'a aucune influence sur le programme de mesure.



Tableau 6 Options du mode Plage de temps (Suite)

Option	Description
Echelle et unités	Echelle : en mode de mise à l'échelle automatique, l'axe des y est automatiquement ajusté de manière à afficher le balayage dans son intégralité. Unités : choix entre l'absorption et la transmission
Envoi de données	Pour envoyer des données vers une imprimante, un ordinateur ou une clé USB (type A)
Mode de mesure	Lecture unique : le résultat d'une mesure s'affiche lorsque vous appuyez sur Lire. Carrousel 1 pouce carré : mesure facultative d'un insert de carrousel avec 5 cuves carrées maximum. Carrousel 1 cm carré : mesure facultative d'un insert de carrousel avec 7 cuves carrées maximum.
Rappel de mesures	Pour rappeler des mesures, des balayages de longueurs d'onde ou des plages de temps enregistrés, reportez-vous à la Enregistrement, rappel, envoi et suppression des données, page 70 .
Configuration de l'instrument	Données de base de l'instrument.

Entretien

ATTENTION

Possibilité d'exposition chimique ou biologique dangereuse pour les yeux et la peau.

Seul le personnel qualifié est autorisé à effectuer les tâches décrites dans cette section du manuel.

AVIS

Retirez toutes les cuves qui restent dans l'instrument. Détruisez les cuves ou leur contenu conformément à la méthode autorisée.

Remplacement de la lampe

DANGER

Risque de choc électrique

Débranchez l'instrument de l'alimentation avant de procéder au remplacement de la lampe et jusqu'à ce que la procédure de remplacement de la lampe soit terminée.

ATTENTION

Risque de brûlure.

Attendez que la lampe ait refroidi. Tout contact avec la lampe chaude peut provoquer des brûlures.

AVIS

Tenez la lampe uniquement par son support. Evitez de toucher le verre, car les substances de l'épiderme qui seraient en contact avec l'ampoule pourraient brûler et accélérer le vieillissement de la lampe.

Dépannage

Erreur affichée	Cause	Mesure corrective
Erreurs d'exécution du test		
Etiquette de code-barres non lue	Code-barres défectueux	Réinsérez la cuve. Si le code-barres n'est pas reconnu, contactez l'assistance technique.
Veillez fermer le couvercle.		Fermez le couvercle.
Absorption > 3.5 !	L'absorption mesurée est supérieure à 3.5.	Diluez l'échantillon et mesurez à nouveau
Défaut Numéro de contrôle du code-barres ? Mettez à jour données progr.	Ecart par rapport aux données enregistrées	Mise à jour des données du programme
Il est conseillé d'exécuter un contrôle complet du système	Echec du contrôle des valeurs de l'air	Eteignez, puis rallumez l'instrument. Si la vérification du système échoue, contactez l'assistance technique.
Correction de valeur du blanc impossible !	Correction de valeur du blanc impossible avec LCW919.	
Défaut Programme inaccessible. Mettez à jour données progr.	Test de code-barres absent	Mise à jour des données du programme
Défaut Nettoyer la cuve !	La cuve est sale ou contient des particules non dissoutes.	Nettoyez la cuve ; attendez que les particules précipitent

Erreur affichée	Cause	Mesure corrective
Défaut Programme de test interrompu ! Veuillez vérifier la lampe Fermez le couvercle. Erreur [xx]	Le programme de test s'arrête au démarrage de l'instrument	Contrôlez la lampe et remplacez-la si nécessaire. Fermez le couvercle. Appuyez sur Redémarrer .
Défaut Programme de test interrompu ! Retirez la cuve Fermez le couvercle.	Le programme de test s'arrête au démarrage de l'instrument	Retirez la cuve/cuve d'échantillon du compartiment pour cuves. Appuyez sur OK .
Erreur Autodiagnostic interrompu. Erreur matérielle. Erreur [x]	Défaillance électronique	Contactez l'assistance technique et indiquez le numéro de l'erreur
Erreur Luminosité ambiante excessive ! Placez l'instrument à l'ombre ou fermez le couvercle	Les capteurs de l'instrument ont détecté une lumière ambiante excessive.	Baissez la lumière ambiante. (Évitez l'exposition directe aux rayons du soleil.) Fermez le couvercle.
Aucune fonction d'aide n'est disponible pour ce programme.		
Durée de conservation dépassée ! Utiliser des produits chimiques ?		L'analyse peut être erronée. Utilisez de nouveaux produits chimiques
Aucune évaluation !	Erreur dans la base de données de tests ou dans celle des utilisateurs.	Vérifiez la programmation Contactez l'assistance technique

Erreur affichée	Cause	Mesure corrective
Pas de code-barres !	Code-barres introuvable	Réinsérez la cuve. Si le code-barres n'est pas reconnu, contactez l'assistance technique.
Entrée non valide !	Mot de passe incorrect	Mot de passe oublié ? Contactez l'assistance technique.
Pas de données valides pour ces paramètres !	Analyse des données impossible, pas de données de mesure	Modifiez la sélection.
Données valides introuvables !	Impossible de consulter les données dans le journal des données	Modifiez la sélection.
Fonction d'aide absente.		
Données de mesure absentes !	Les paramètres de l'analyse des données ne peuvent pas être configurés sans données de mesure.	Modifiez la sélection.
Plage de contrôle non atteinte !	Limites de l'analyse des données non atteintes	Il s'agit d'un avertissement. La limite de contrôle définie n'a pas été atteinte.
Plage de contrôle dépassée !	Limites de l'analyse des données dépassées.	Il s'agit d'un avertissement. La limite de contrôle a été dépassée.
Concentration trop élevée !	La concentration calculée est supérieure à 999999	Diluez l'échantillon et mesurez à nouveau
Au dessus de la plage de mesure	L'absorption mesurée est supérieure à la plage d'étalonnage du test	Diluez l'échantillon et mesurez à nouveau

Erreur affichée	Cause	Mesure corrective
Sous la plage de mesure	L'absorption mesurée est inférieure à la plage d'étalonnage du test	Si possible, sélectionnez un test avec une plage de mesure inférieure ou utilisez une cuve qui possède une plus longue trajectoire
Possible interférence due à :	Vérification des interférences	L'analyse peut être erronée en raison d'interférences.
Possible interférence due à :	Vérification des interférences	L'analyse peut être erronée en raison d'interférences.
Prochaine inspection échue !		Contactez l'assistance technique pour faire inspecter l'instrument.
Résultat négatif !	Le résultat calculé est négatif	Vérifiez la concentration de l'échantillon
Conditions d'éclairage instables !		Évitez les rayons directs du soleil à l'emplacement de la mesure.
Vérification du système incorrecte !	Échec de la mesure des valeurs de l'air	Éteignez, puis rallumez l'instrument. Si la vérification du système échoue, contactez l'assistance technique.
Température trop élevée. Mesure impossible !		Désactivez l'instrument et laissez-le refroidir quelques minutes. Si nécessaire, déplacez-le vers un endroit plus frais.
Erreurs de mise à jour		
Une erreur est survenue pendant le chargement des données de l'instrument.		Recommencez la procédure ou contactez l'assistance technique.

Erreur affichée	Cause	Mesure corrective
Une erreur est survenue pendant la lecture depuis la clé USB.		Recommencez la procédure ou contactez l'assistance technique.
Une erreur est survenue pendant l'écriture sur la clé USB.		Recommencez la procédure ou contactez l'assistance technique.
Veillez vérifier le fichier de mise à jour actuel.	Erreur pendant la mise à jour.	Vérifiez la clé USB.
Veillez contacter le service après-vente.	Erreur pendant la mise à jour.	
Veillez insérer la clé USB.		Insérez une clé USB dans le port USB A de l'instrument.
Fichier de mise à jour de l'instrument manquant.	Erreur pendant la mise à jour.	Vérifiez la clé USB.
Fichier de mise à jour de l'instrument défectueux.	Erreur pendant la mise à jour.	Enregistrez à nouveau le fichier de mise à jour et recommencez la procédure.
Erreur lors de la copie depuis la clé USB.	Erreur pendant la mise à jour	Recommencez la procédure ou contactez l'assistance technique.
Sauvegarde appareil absente !		Vérifiez la clé USB.
Mémoire insuffisante pour la mise à jour.	Erreur pendant la mise à jour.	Sélectionnez une mémoire disposant de plus d'espace.
Fichier de mise à jour défectueux.	Erreur pendant la mise à jour.	Enregistrez à nouveau le fichier de mise à jour et recommencez la procédure.

Erreur affichée	Cause	Mesure corrective
Clé USB non connectée.	Mise à jour impossible.	Vérifiez la clé USB.
Erreurs de connexion au réseau		
Veillez vérifier la configuration réseau.		
Veillez vérifier la connexion.		
Veillez vérifier la connexion et contacter l'administrateur.	Erreur de configuration du réseau ou du FTP	
Erreur lors de l'appel de l'adresse IP locale.	Configuration du réseau : aucune connexion du client DHCP au serveur DHCP	Saisissez à nouveau l'adresse IP.
Erreur lors de la configuration de la passerelle par défaut.	Configuration du réseau : la passerelle par défaut ne peut pas être définie pour une adresse IP fixe	Essayez encore une fois d'établir la connexion.
Erreur lors de la configuration du disque réseau !	Erreur lors de la configuration du réseau Le répertoire cible n'existe pas.	Contrôlez les paramètres. Définissez le répertoire cible.
Erreur lors de la configuration du masque de sous-réseau.	Configuration du réseau : le masque de sous-réseau ne peut pas être défini pour une adresse IP fixe	Saisissez une nouvelle fois le masque de sous-réseau.
Erreur lors de la connexion au FTP.	Erreur FTP	Assurez-vous que l'instrument est connecté au réseau.
Réseau désactivé.	Configuration du réseau désactivée lorsque vous accédez à la page d'accueil de l'instrument via la barre latérale	Activez la connexion en ligne.

Erreur affichée	Cause	Mesure corrective
Impossible d'accéder au serveur distant.	Erreur lors de la configuration du réseau	Assurez-vous que l'instrument est connecté au réseau. L'adresse fixe du DR 6000 n'est pas acceptée.
Impossible d'accéder au serveur distant.	L'adresse fixe du DR 6000 n'est pas acceptée. Le nom de serveur saisi est incorrect.	Passer en mode Automatique. Saisissez le nom de serveur correct.
Impossible d'accéder au serveur Web.	Impossible d'accéder à la page d'accueil de l'instrument.	Réessayez ultérieurement.

Pièces de rechange


Description	Réf. N°
Lampe halogène	A23778
Lampe au deutérium	A23792
Adaptateur pour cuves universel	LZV902.99.00020
Cordon d'alimentation UE	YAA080
Cordon d'alimentation CH	XLH051
Cordon d'alimentation UK	XLH057
Cordon d'alimentation américain	1801000
Câble d'alimentation Chine/Australie	XLH069
Fusible	A23772
Coussinet de filtre	LZV915
Cache anti-poussière	LZV886
Protection d'interface USB	LZV881

技術データ

予告なく変更される場合があります。

性能仕様	
動作モード	透過率 (%)、吸光度、濃度
光源ランプ	重水素ランプ (UV) とハロゲンランプ (可視範囲)
波長範囲	190 ~ 1100 nm
波長精度	± 1 nm (波長範囲 200 ~ 900 nm)
波長再現性	< 0.1 nm
波長分解能	0.1 nm
波長校正	自動
波長選択	自動、測定方法による波長選択
スキャン・スピード	900 nm/min (1 nm 単位)
スペクトラル・バンド幅	2 nm (1.5 ~ 2.9 nm (656 nm 時)、1 nm (D2 ライン))
吸光度測定範囲	± 3 Abs (波長範囲 200 ~ 900 nm)
測光精度	5 mAbs (0.0-0.5 Abs) < 1% (0.50-2.0 Abs、546 nm)
測光直線性	< 0.5%、2 Abs まで ≤ 1% (546 nm の中性ガラスで > 2 Abs のとき)
迷光	KI 溶液 (220 nm < 3.3 Abs / < 0.05%)
ブランク測定に対する光度ドリフト (30 分間のベースライン安定)	190 ~ 199 nm +/- 0.0100 Abs 200 ~ 349 nm +/- 0.0054 Abs 350 ~ 899 nm +/- 0.0034 Abs 900 ~ 1100 nm +/- 0.0100 Abs
長期安定性	ゼロ点 (546 nm、10 時間) ≤ 0.0034 Abs

性能仕様	
データ・ログ	5000 件の測定値 (結果、日付、時刻、サンプル ID、ユーザー ID) 50 件のスキャン、50 件の時間スキャン
ユーザー・プログラム	200
物理仕様および環境仕様	
幅	500 mm
高さ	215 mm
奥行き	460 mm
質量	11 kg
動作環境条件	10 ~ 40 °C、相対湿度最大 80% (結露なきこと)
保管環境条件	-25 ~ 60 °C、相対湿度最大 80% (結露なきこと)
追加のテクニカルデータ	
電源の接続	100 ~ 240 V/50 ~ 60 Hz
消費電力	150 VA
ヒューズ	T 2A H、250 V (2 ユニット)
インターフェイス	最長 3 m までのシールド・ケーブルを使用すること。 2x USB タイプ A 1x USB タイプ B シールドケーブル (STP、FTP、S/FTP など) を使用のこと (20 m 以下)。 1x イーサネット
ハウジングの保護等級	セルコンパートメントカバーを閉じた状態で IP20
保護クラス	Class I

性能仕様	
	本製品は CAN/CSA-C22.2 No. 61010-1 第 2 版 (追補 1 を含む)、または同水準の検査要件が含まれた同じ規格の以降の版の要件を満たしています。
汚染度	2
設置カテゴリ	II
最高高度	2000 m (6560 フィート)

一般的な情報

安全に関する注意

装置を開梱、セットアップ、または操作する前に、取扱説明書をお読みください。危険性と警告に関する注意をすべて守ってください。これを怠ると、オペレータが重傷を負ったり、装置が損傷する可能性があります。

装置に備わっている保護機能が損なわれないように、これらの取扱説明書で指定されている以外の方法で装置を使用または設置しないでください。

危険

回避しなければ死亡または重傷を負う可能性がある、潜在的または切迫した危険な状況を示します。

警告

回避しなければ死亡または重傷につながる可能性のある、潜在的または切迫した危険な状況を示します。

注意

回避しなければ軽度あるいは中程度の傷害を負う可能性のある危険な状況を示します。




警告

回避しなければ装置の損傷につながる可能性のある状況を示します。特別な注意が必要な情報です。

本文を補足する情報です。

警告ラベル

装置に貼付されたすべてのマークおよびラベルの注意事項を守ってください。これを怠ると、人身事故や装置の損傷につながる可能性があります。装置に貼付されたシンボルについては、対応する警告が取扱説明書に記載されています。

	このシンボルが装置に貼付されていることがあり、その場合は操作や安全性に関する情報が取扱説明書に記載されています。
	装置に貼付されているこのシンボルは、表面が高温になることを示しています。
	このシンボルの貼付された電気機器は、2005年8月12日以降、ヨーロッパ全域で分別されていない家庭ゴミまたは産業廃棄物として破棄できなくなりました。有効な条項(EU指令2002/96/EC)に従い、これ以降、EU内の消費者は古くなった電気機器をメーカーに返却して破棄する必要があります。消費者に費用はかかりません。 <i>耐用年数の過ぎた製品、製造元提供の電気付属品、およびすべての補助品を適切に廃棄またはリサイクルするための返却方法については、機器の製造元または販売業者にお問い合わせください。</i>

警告

メーカーは、本製品の目的外使用または誤用に起因する直接損傷、偶発的損傷、結果的損害を含むあらゆる損害に対して、適用法で認められている範囲で一切責任を負わないものとします。

ユーザーの責任において、適用に伴う危険性を特定したり、装置が誤作動した場合にプロセスを保護する適切なメカニズムを設けるものとします。

光源ランプに関する安全性

光源ランプは高温で動作します。

感電を避けるため、ランプを交換する前は、装置が電源に接続されていないことを確認してください。

注意

オゾンによる健康被害。

重水素ランプの温度が下がっていない場合、健康被害を与えるレベルのオゾンが発生します。

警告

紫外線による健康被害。

紫外線により、眼や皮膚が損傷することがあります。紫外線が直接当たらないように眼や皮膚を保護してください。

裸眼で、通電しているランプを直接見ないでください。紫外線保護メガネを必ず装着してください。

注意

火傷の危険。ランプの保守または交換の際は、ランプの温度が下がるまで少なくとも30分間待ってから行ってください。

RFID モジュール (一部のモデルにのみ搭載)

RFID 技術は無線アプリケーションです。無線アプリケーションは国の認可条件に制約されます。現在、DR 6000 (RFID モジュール付きモデル) の使用が許可されている国は、EU、CH、NO、HR、RS、MK、TR、CY、US、CA、AU、NZ のみです。指定されている国以外での DR 6000 (RFID モジュール付きモデル) の使用は国内法令に違反するおそれがあります。製造元は、その他の国で認可を得る権利も有しています。お客様の地域での使用に関して不明な点がある場合は、代理店にお問い合わせください。

DR 6000 には、情報とデータを送受信するための RFID モジュールが搭載されています。RFID モジュールの動作周波数は 13.56 MHz です。

警告

分光光度計は危険な環境では使用しないでください。

製造元とその納入業者は、リスクの高い活動での使用について、いかなる明示的または間接的な保証も行いません。

現地で施行されているガイドラインに加えて、次の安全に関する情報にも従ってください。

装置の正しい使用のための安全に関する情報：

- 病院または類似の施設では、ペースメーカーや補聴器などの医療機器の付近で装置を動作させないでください。
- 燃料、高可燃性の薬品、火薬類などの高可燃性物質の近くで装置を動作させないでください。
- 可燃性ガス、蒸気、または粉塵の近くで装置を動作させないでください。
- 装置を振動させないでください。
- 装置がテレビ、ラジオ、およびコンピューターにきわめて近接した状態では、電波干渉を起こす場合があります。
- 装置を開けないでください。
- 本書に記載されているガイドラインに従って装置を使用しなかった場合、保証が適用されません。

化学的および生物学的安全

危険

化学的 / 生物学的物質との接触における潜在的な危険性について。

化学的試料、標準液、および試薬の取り扱いには危険を伴うことがあります。使用する前に、薬品類の正しい取り扱い方法および必要な安全手順に習熟し、関連するすべての安全性データシートに目を通してその内容に従ってください。

この装置の通常の操作で、生物学的に危険な化学薬品や試料を扱うことがあります。

- 使用する前に、溶液の容器および安全データシートに記載されているすべての注意事項に目を通す必要があります。
- 使用済みの溶液は、地域や国の規制および法律に従って廃棄してください。
- 使用する危険物の濃度と量に適した保護具を選択してください。

製品概要

DR 6000 は、波長範囲 190 ~ 1100 nm の紫外可視分光光度計です。可視スペクトル (320 ~ 1100 nm) はハロゲンランプによってカバーされ、重水素ランプは紫外線スペクトル (190 ~ 360 nm) の光線を発生します。

装置には必要なアプリケーションプログラムがすべて含まれており、複数の言語に対応しています。

分光光度計 DR 6000 には、次のプログラムと動作モードが含まれています。

- 保存プログラム (インストール済み測定手順)
- バーコード・プログラム
- ユーザー・プログラム
- お気に入り
- 単一波長
- 多波長
- 波長スキャン
- 経時変化

DR 6000 分光光度計は、濃度、吸光度、または透過パーセントでのデジタル測定機能を備えています。

ユーザーが作成またはプログラムした方法を選択した場合、メニューとプロンプトは測定を通じてユーザーに取扱いを指示する役割を果たします。

このメニューシステムでは、レポートの作成、生成された校正曲線の統計的評価の作成、および装置の診断チェックのレポートも行うことができます。

設置

警告

感電および火災の危険。

付属の電源ケーブルのみを使用してください。

本セクションに記載されている作業は、現地で施行されている安全規則を遵守した上で、資格を持つ専門家のみ行うことができます。

警告

着脱可能な電源ケーブルを不適切な定格容量のケーブルに交換しないでください。

機器の開梱

DR 6000 分光光度計には、次のアイテムが同梱されています。

- DR 6000 分光光度計
- ダストカバー
- USB ダストカバー (取り付け済み)
- 電源コード (米国および欧州仕様。中国向けのものには、中国仕様の電源コード)
- ユニバーサルセルアダプタ
- オペレーター RFID タグ (一部のモデルにのみ搭載)
- 1 インチセル、マッチドペア
- DR 6000 基本取扱説明書、LINK2SC 取扱説明書

詳細情報、取扱説明書およびマニュアルは、メーカーの Web サイトから入手できます

いずれかの部品がない、または破損している場合は、ただちにメーカーまたは販売店までご連絡ください。

動作環境

装置を正常に動作させるため、また長くご使用いただくために、次の点に注意してください。

- 装置を平らな面にしっかり設置します。装置の下に何も置かないでください。
- 電源コードに無理な力がかからないように装置を設置してください。
- 周辺温度は 10 ~ 40 °C 以内にしてください。

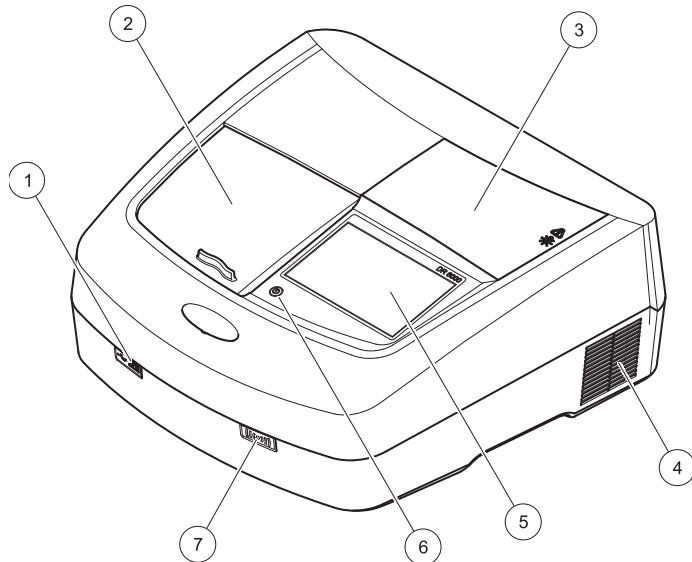
注

ヒーター、直射日光、およびその他の熱源による極端な温度の変化から装置を保護してください。

- 相対湿度は 80% 未満 (装置に結露なきこと) にしてください。
- 電気部品の加熱を防ぐため、上部およびすべての側面と周囲の間は最低 15 cm の隙間を空けて、空気が循環できるようにしてください。
- 極端にほこりが多い、湿度が高い、または水に濡れる場所で、装置を使用したり、保管しないでください。
- 装置の表面、セルコンパートメント、およびすべての付属品を常に清潔かつ乾いた状態にしてください。装置の表面または内部に跳ねたりこぼれたりした液体は、ただちに除去してください (メンテナンス、110 ページを参照)。

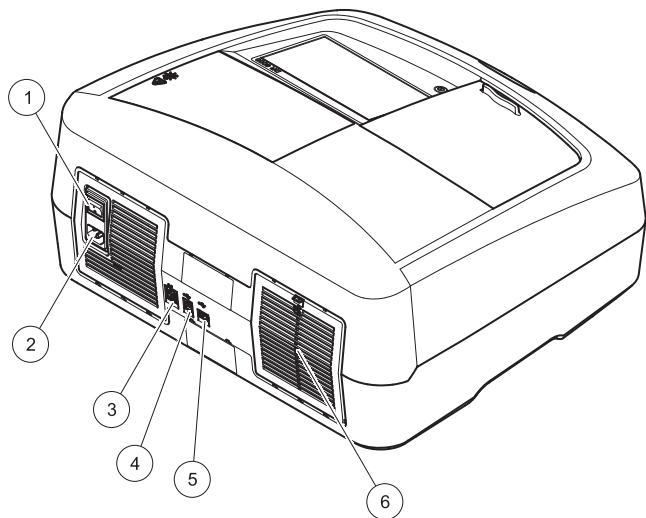
前面図と背面図

図 1 前面図



1	USB ポート・タイプ A	5	タッチスクリーン
2	セル・コンパートメント・カバー	6	省電力キー
3	ランプコンパートメントカバー	7	RFID モジュール (一部のモデルにのみ搭載)
4	ファン排気口		

図 2 背面図



1 オン/オフスイッチ	4 USB ポート・タイプ B
2 電源ケーブル用ソケット	5 USB ポートタイプ A
3 イーサネットポート	6 フィルタパッドカバー

電源の接続

注

この装置を電源に接続する際には、必ず接地されたコンセントを使用してください。コンセントが接地されているかどうか不明な場合は、資格のある電気技師に確認してもらってください。電源スイッチをオフにする方法に加え、電源プラグを抜くことで装置をすばやく電源から切り離すことができます。コンセントにラベルを付けるなどして、どの電源プラグを抜けば電源から切り離されるかをわかるようにしておく必要があります。長期間保管する場合にはこのようにしておくことをお勧めします。また、故障時の潜在的な危険性を回避することができます。このため、装置が接続されているコンセントが、常に手の届きやすい位置にあることを確認してください。

警告

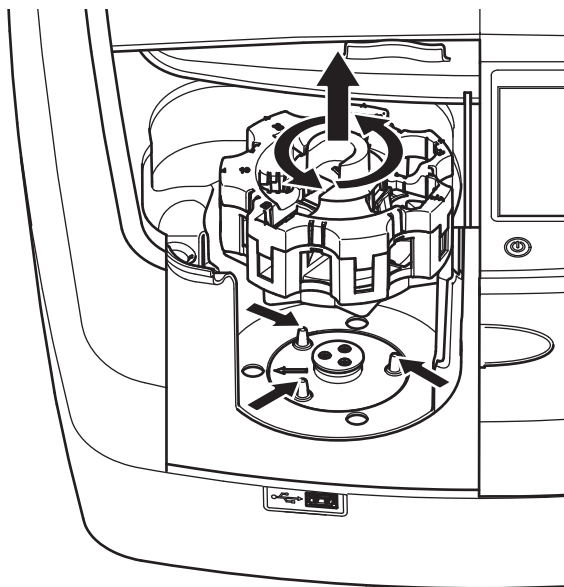
感電および火災の危険。
付属の電源ケーブルのみを使用してください。

1. 電源ケーブルを装置の背面に接続します (背面図、93 ページ)。
2. 電源ケーブルのプラグを、接地されたコンセント (100 ~ 240 V / 50 ~ 60 Hz) に差し込みます。
3. 電源ボタンを「On」にして、装置の電源を入れます (背面図、93 ページ)。

ユニバーサルセルアダプタの取り付け方法

1. セルコンパートメントを開きます。
2. ユニバーサルセルアダプタを約 1 cm 持ち上げます。
3. ユニバーサルセルアダプタを回して、必要なセルプロファイルのガイドが、セルコンパートメントの左に向かうようにします (1)。
4. カチッと音がして所定の位置に収まるまでユニバーサルセルアダプタを押し込みます。

図 3 ユニバーサルセルアダプタの取り付け方法



スタートアップ

装置の起動、スタートアップ・プロセス

1. 電源ケーブルをコンセントに差し込みます。
2. 背面にある電源スイッチをオンにして、装置の電源を入れます。
3. 装置が自動的に起動し、約 45 秒間のロングスタートアッププロセスが開始されます。ディスプレイに製造元のロゴが表示されます。スタートアップ・プロセスの最後に、スタートアップ・メニューが流れます。

電源を切った直後に再度電源を入れると、装置の電子部品や機構に損傷を与える場合があります。約 20 秒経過してから再度電源を入れてください。

言語選択



DR 6000 ソフトウェアには、複数の言語オプションがあります。装置の初回起動時、スタートアップ・プロセスの後に言語選択画面が自動的に表示されます。

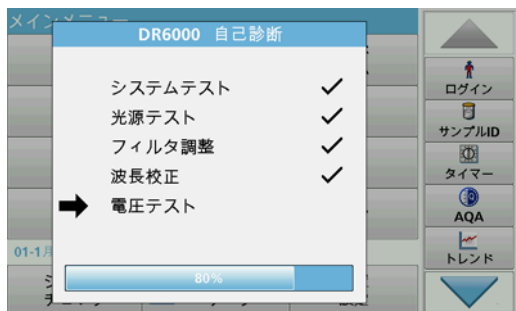
1. 必要な言語を選択します。
2. **OK** を押して言語選択を確定します。自己診断が自動的に開始されます。

言語設定の変更

装置は、オプションが変更されるまで、選択された言語で機能します。

1. 装置の電源を入れます。
2. スタートプロセス中（約 45 秒間）に、言語選択リストが表示されるまでディスプレイの任意の位置をタッチし続けます。
3. 必要な言語を選択します。
4. **OK** を押して言語選択を確定します。自己診断が自動的に開始されます。

自己診断



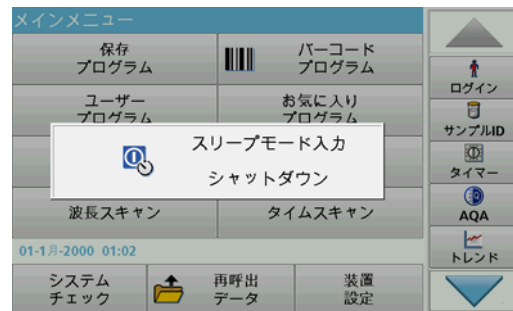
装置を起動するたびに、テスト・プログラムが開始されます。

この手順により（約 2 分かかります）、システム、ランプ、フィルタ調整、波長校正、および電圧がチェックされます。チェックが完了した機能の横に結果のマークが表示されます。

診断が完了すると、メインメニューが表示されます。

テスト・プログラム中にエラー・メッセージが表示された場合は、[トラブルシューティング](#)、110 ページを参照してください。

スリープ・モード



本装置はスリープ・モードにすることができます。

1. ディスプレイの手前にある省電力キーを押します。
「スリープ・モード」に入ることを示すメッセージが表示されます。その後、自動的にディスプレイがオフになります。
2. オンするには、再度省電力キーを押します。
自己診断が自動的に開始されます。
自己診断の完了後、装置は使用できる状態になります。

装置の電源オフ

1. 装置の背面にある電源スイッチを押します。

標準プログラム

概要

タッチスクリーンの使用に関するヒント

ディスプレイ全面がタッチ操作に対応しています。爪先、指先、鉛筆の消しゴムまたはタッチペンでタップして、項目を選択することができます。鋭利なもの（ボールペンの先端など）でディスプレイをタッチしないでください。

- 画面の破損や傷つきを防ぐため、画面上にものを置かないでください。
- ボタン、単語、またはアイコンを選択するには、これらを押します。
- スクロールバーを使用すると、長いリストを迅速に上下に移動できます。スクロールバーを長押しして上下に移動すると、リストが上下に動きます。
- リスト中のアイテムをハイライト表示するには、そのアイテムを一度押します。アイテムが正しく選択されると、テキストが反転表示になります（暗い背景に明るいテキスト）。

英数字キーパッドの使用



このディスプレイは、装置のプログラミングに必要な文字、数字および記号を入力するのに使用します。利用できないオプションは無効（グレー表示）になっています。ディスプレイ上の左側および右側のシンボルについては、表 1 を参照してください。

センターキーパッドの表示は、選択した入力機能によって変わります。必要な文字がディスプレイに表示されるまで、各キーを繰り返しタッチします。スペースは、YZ_ キーのアンダーラインを使って入力できます。

入力をキャンセルするにはキャンセルを押し、確定するには OK を押します。

USB キーボード (US キーボード配列のもの) またはハンドヘルド USB / バーコードスキャナーも使用できます (交換部品、114 ページを参照)。

表 1 英数字キーパッド

アイコン / キー	説明	機能
ABC/abc	アルファベット	文字入力モードの大文字と小文字を切り替えます。
#%	記号	句読点、記号および数字の下付き文字、上付き文字を入力できます。
123	数字	通常の数値を入力します。
CE	入力のクリア	入力をクリアします。
左矢印	戻る キー	現在位置の文字を消去して、カーソルを 1 文字分戻します。
右矢印	進む	カーソルを 1 文字分進めます。

メインメニュー



メインメニューから様々なモードを選択できます。以下の表は各メニューオプションを簡単に説明したものです。

ディスプレイ右側にあるツールバーから、様々な機能を操作可能な状態にできます。

表 2 メインメニューのオプション

オプション	機能
保存プログラム/ バーコード・プログラム (HACH-LANGE プログラム)	保存プログラムは、HACH 試薬および HACH-LANGE ピペット・テストを使用する、あらかじめプログラムされた方法です。 HACH-LANGE テストの作業手順は、テスト・バックに含まれています。 さらに情報だけでなく、図に示すように、HACH プログラムを使用する分析のためのステップバイステップのプロセス指示は、メーカーのウェブサイト上で利用可能です。

表 2 メインメニューのオプション

オプション	機能
ユーザー・プログラム	ユーザー・プログラムを使用すると、「オーダーメイド」の分析が可能です。 <ul style="list-style-type: none"> ユーザーは自分で開発した方法をプログラムできます。 既存の HACH および HACH-LANGE の手順をユーザープログラムとして保存できます。この手順は、個別の要件に応じて変更できます。
お気に入り	ユーザーの要件を満たすようにユーザーによって作成された方法 / 試験のリスト
単一波長	単一波長の測定には以下の 3 つがあります。 吸光度測定 ：試料が吸収した光量を吸光度単位で測定します。 透過率測定 (%) ：試料を通過して検出器に到達する光の元的光に対する割合を測定します。 濃度測定 ：濃度係数を入力して、測定した吸光度値を濃度値に変換することができます。
多波長	多波長モードでは、吸光度 (Abs) または透過率 (%T) を最大 4 つの波長で測定し、吸光度差および吸光度関係を計算します。濃度への単純変換も可能です。
波長スキャン	波長スキャンでは、規定の波長スペクトルにおける試料からの光の吸光度がわかります。この機能により、最大吸光度を測定できる波長を割り出すことができます。スキャン中、吸光度の状態がグラフィックで表示されます。
経時変化	時間スキャンは、所定時間における 1 つの波長の吸光度または透過率 (%) を記録します。
システムチェック	「システムチェック」メニューには、光学チェック、出力チェック、ランブ履歴、装置の更新、点検時期、分析精度の設定、装置のバックアップなど、多数のオプションがあります。
測定データの呼び出し	保存データの呼び出し、フィルタリング、送信、および削除が可能です。

表 2 メインメニューのオプション

オプション	機能
装置の設定	このモードでは、オペレータ ID、試料 ID、日付と時間、サウンド、PC とプリンター、パスワード、省エネモード、保存データといったユーザー固有または方法固有の設定を入力できます。

データの保存、呼び出し、送信、削除

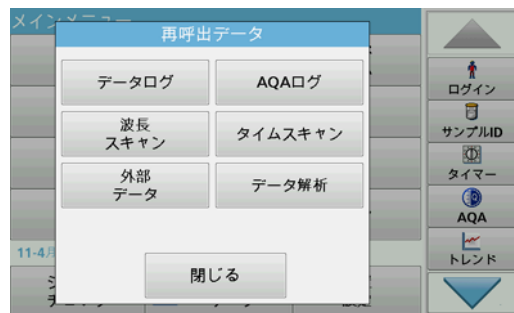
データ ログ

データログでは、次のプログラムで保存された測定値を最大 5000 件まで保存できます。

- 保存プログラム
- バーコード・プログラム
- ユーザー・プログラム
- お気に入り
- 単一波長
- 多波長

日付、時間、結果、試料 ID、オペレータ ID など、分析の完全な記録が保存されます。

データ・ログからの保存データの呼び出し



1. メインメニューで**再呼出データ**を押します。



2. **データ ログ**を押します。
保存データのリストが表示されます。

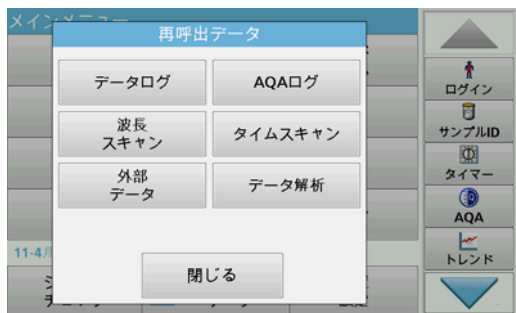


3. **絞り込みのオン/オフ**を押します。
絞り込み設定機能を使うと、特定の項目を検索できます。
4. **オン**をアクティブにします。これで、以下の選択基準を使用してデータを絞り込むことができます。
 - サンプル ID
 - オペレータ ID
 - 開始日
 - パラメーター
 または上記 4 つの任意の組み合わせ

5. **OK**を押して選択を確定します。
選択した項目がリスト表示されます。

データ・ログからのデータの送信

データは、内部データ・ログから USB 保存デバイスまたはネットワーク・ドライブ上の「DataLog」という名前のディレクトリに、XML (Extensible Markup Language) ファイルまたは CSV (Comma Separated Value) ファイル形式で送信されます。送信されたファイルは、表計算プログラムで処理できます。ファイル名は、DL 年 - 月 - 日 _ 時 _ 分 _ 秒 .csv または DL 年 - 月 - 日 _ 時 _ 分 _ 秒 .xml の形式になります。

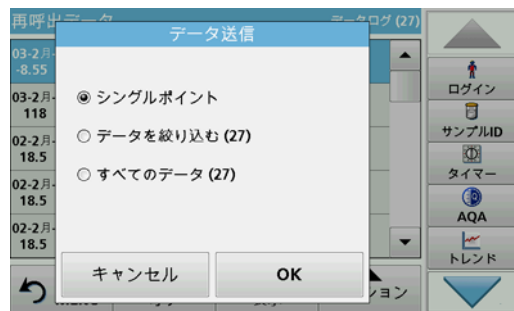


1. USB 保存デバイスを DR 6000 の USB A インターフェースに差し込むか、DR 6000 をネットワークドライブに接続します。
2. メインメニューで**データの呼び出し**を押します。
3. 送信するデータの 카테고리 (例えば、データログ等) を選択し
ます。

選択した測定データのリストが表示されます。



4. **[Options (オプション)]** をタップして、**PC とプリンター**のシンボルをタップします。



5. 送信するデータを選択します。
以下のオプションを使用できます。
 - シングルポイント：選択されている測定値のみを送信します。
 - データを絞り込む：設定されたフィルタに該当する測定値のみを送信します。
 - すべてのデータ：選択したデータ・カテゴリー内のすべてのデータを送信します。
6. **OK** を押しして確定します。

括弧内の数字はこの選択に割り当てられた合計データセット数を表します。

保存プログラム

200 以上のあらかじめプログラムされた手順を [Stored Programs (保存プログラム)] メニューから呼び出すことができます。[Stored Programs (保存プログラム)] には、バーコードテストは含まれていません。

保存したテスト / 方法の選択 (ユーザー固有の基礎データの入力)

保存プログラム	
315 Molybden LR	3.00 mg/L
66 Monokloramin LR	4.50 mg/L
388 N Ammoniak Fri	0.50 mg/L
380 N Ammoniak Nessler	2.50 mg/L
385 N Ammoniak Salic.	0.50 mg/L
361 N Nitrat HR AV	30.0 mg/L
355 N Nitrat HR PP	30.0 mg/L
351 N Nitrat LR	0.50 mg/L
359 N Nitrat MR AV	10.0 mg/L
353 N Nitrat MR PP	10.0 mg/L

操作ボタン: ログイン, サンプルID, タイマー, AQUA, トレンド

下部ボタン: メイン MENU, 番号で選択, プログラム オプション, 測定開始

1. メインメニューで**保存プログラム**を押し、プログラム番号の付いた保存プログラムのアルファベット順のリストを表示します。
「保存プログラム」リストが表示されます。
2. 必要なテストをハイライト表示します。
アルファベット順のリストを上下の矢印キーでスクロールし、プログラムを選択してハイライト表示します。または、**番号で選択**を押して特定のプログラム番号を検索します。**OK**を押して確定します。
3. **測定開始**を押すとプログラムが実行されます。各測定ウィンドウが表示されます。
対応するデータ (波長、係数、定数) はすべてあらかじめ設定されています。

4. 分析手順の説明に従います。詳細情報は、メーカーの Web サイトを参照してください。

手順の説明をディスプレイに表示するには、**情報アイコン**を押します。このオプションは、一部のテストでは利用できません。

試料の分析



1. **保存プログラム**を押して、プログラムを選択します。
手順の説明がある場合は、ディスプレイ上の**情報アイコン**にそのことが示されます。
2. ゼロ溶液セルをセルコンパートメントに挿入します。
3. **ゼロ**を押します。

バーコードテストの実行



4. ゼロ溶液セルをセルコンパートメントから取り出します。試料セルをセルコンパートメントに挿入します。
5. **読み取り**を押します。結果が表示されます。
試料の希釈を定義するには、ツールバーの [Dilution (??)] キーを押します。
6. データの保存については、**データ ログのセクション、98 ページ**を参照してください。

バーコードプログラム

セルコンパートメント #1 の特別バーコードリーダーは、キュベット / バイアルが 1 回転して、自動的に 13mm のキュベット / バイアルのバーコードを読み取ります。装置は、バーコード ID を使い分析用として適正な波長を自動的に設定し、保存された係数で結果を直ちに計算します。

さらに、測定値は回転中に 10 箇所異なる位置で記録されます。特別異常値削除プログラムが実行され、測定値の平均が計算されます。セルおよび丸型セルの障害や汚染が検出されるので、非常に正確な結果が得られます。



1. 測定手順に従ってバーコードテストを準備し、セルをセルコンパートメント (1) に挿入します。
 - バーコードが印刷されているセルがセルコンパートメント (1) (**ユニバーサルセルアダプタの取り付け方法、94 ページ**) に配置されると、対応する測定プログラムがメインメニューで自動的に有効になります。



- 有効にならない場合は、メインメニューでメニューオプション [Barcode Programs (バーコードプログラム)] を選択して、ブランクセル (測定手順によって異なる) をセルコンパートメントに挿入します。

詳細情報を表示するには、ヘルプガイド (「情報」シンボル) をタップします。



測定が自動的に開始され、結果が表示されます。

試料の希釈を定義するには、ツールバーの [Dilution (??)] キーを押します。

他のセルでのテストや他のパラメーターを評価するには、準備したセルをセルコンパートメントに挿入して、結果を読み取ります。

ディスプレイの右側に表示されるコントロールバーは、測定結果と測定範囲の関係を示します。青色のバーは、入力された希釈係数とは切り離れた単独の測定結果を示しています。

拡張プログラム

単一波長 (吸光度、濃度、および透過率測定)

単一波長モードは、3つの方法で使用されます。単一波長での試料測定に対して、装置は試料の吸光度、透過率、または濃度を測定するためにプログラミングすることができます。

- 吸光度測定：試料が吸収した光量を吸光度単位で測定します。
- 透過率：試料を通過して検出器に到達する光の元の光に対するパーセントを測定します。
- 濃度係数をオンにすると、吸光度の測定値を濃度に変換するための特定の乗数を選択できます。濃度対吸光度のグラフでは、グラフの傾きが濃度係数となります。

単一波長モード設定

- メインメニューの [Single Wavelength (単一波長)] を押します。
- パラメーター設定用の [Options () オプション] を押します。



表 3 単一波長のオプション

オプション	説明
詳細	詳細オプション
測定データの呼び出しシンボル	保存されている測定データ、波長スキャン、またはタイムスキャンを呼び出します。 データの保存、呼び出し、送信、削除、98 ページ を参照してください。
% Trans/Abs (透過率 / 吸光度)	測定モードで、透過率から濃度または吸光度に切り替えます。
λ (波長)	波長設定を入力します。英数字キーを使用して測定波長を入力します。190 ~ 1100 nm の範囲の波長を入力できます。
タイマーアイコン	これはストップウォッチとして機能します。測定手順を時間どおりに実施するのに役立ちます (反応時間、待ち時間などを正確に指定できます)。指定した時間が経過すると音が鳴ります。タイマーの利用は測定プログラムに影響がありません。
濃度係数 : オフ / オン	吸光度値を濃度値に変換するためのファクタです。
濃度分解能	小数点以下の桁数を選択します。
ユーザープログラムとして保存	選択したパラメーターをユーザープログラムとして保存します。 単一波長 (吸光度、濃度、および透過率測定)、103 ページ を参照してください



表 3 単一波長のオプション (続き)

オプション	説明
測定モード	シングル測定 : [Read (測定)] をタップすると、1 つの測定結果が表示されます。 連続測定 : ゼロ測定後に、すべての測定値が自動的かつ連続的に表示されます。 カラーセル 1 インチ角 : 最大 5 個の角セルを装着したカラーセルインサートを測定可能なオプションの測定モードです。 カラーセル 1 センチ角 : 最大 7 個の角セルを装着したカラーセルインサートを測定可能なオプションの測定モードです。
測定データの再呼び出し	保存されている測定データ、波長スキャン、またはタイムスキャンを呼び出します。 データの保存、呼び出し、送信、削除、98 ページ を参照してください。
装置の設定モード	装置の基本データが表示されます。 データの保存、呼び出し、送信、削除、98 ページ を参照してください。

多波長モード - 複数の波長の測定

多波長モードでは、吸光度値を最大4つの波長で測定でき、その結果が演算処理され、合計、差分、および関係が得られます。

- 吸光度測定：試料が吸収した光量を吸光度単位で測定します。
- 透過率：試料を通過して検出器に到達する光の元の光に対するパーセントを測定します。
- 濃度係数をオンにすると、吸光度の測定値を濃度に変換するための特定のファクタを選択できます。濃度対吸光度のグラフでは、濃度係数は直線の傾きとなります。濃度は、ユーザーによって入力された、それぞれの波長のファクタを使用して計算されます。

異なる波長での測定モードの設定

メインメニューの [Multi Wavelength (多波長)] を押します。パラメーター設定用の [Options () オプション] を押します。



表 4 多波長の設定オプション

オプション	説明
詳細	詳細オプション
測定データの呼び出しシンボル	保存されている測定データ、波長スキャン、またはタイムスキャンを呼び出します。データの保存、呼び出し、送信、削除、98 ページを参照してください。
% Trans/Abs (透過率 / 吸光度)	測定モードで、透過率から濃度または吸光度に切り替えます。
λ (波長)	波長設定を入力します。英数字キーを使用して測定波長を入力します。190 ~ 1100 nm の範囲の波長を入力できます。



表 4 多波長の設定オプション (続き)

オプション	説明
タイマーアイコン	これはストップウォッチとして機能します。測定手順を時間どおりに実施するのに役立ちます (反応時間、待ち時間などを正確に指定できます)。指定した時間が経過すると音が鳴ります。タイマーの利用は測定プログラムに影響がありません。
濃度係数	吸光度値を濃度値に変換するためのファクタです。
濃度分解能	小数点以下の桁数を選択します。
吸光度式	試料を評価するための算出基準
ユーザープログラムとして保存	選択したパラメーターをユーザープログラムとして保存します。単一波長 (吸光度、濃度、および透過率測定)、103 ページを参照してください
測定モード	シングル測定: [Read (測定)] をタップすると、1つの測定結果が表示されます。 カルーセル1インチ角: 最大5個の角セルを装着したカルーセルインサートを測定可能なオプションの測定モードです。 カルーセル1センチ角: 最大7個の角セルを装着したカルーセルインサートを測定可能なオプションの測定モードです。
測定データの呼び出し	保存されている測定データ、波長スキャン、またはタイムスキャンを呼び出します。データの保存、呼び出し、送信、削除、98 ページを参照してください。
装置の設定モード	装置の基本データが表示されます。単一波長 (吸光度、濃度、および透過率測定)、103 ページを参照してください。

波長スキャンモード - 吸光度と透過率スペクトルの記録

波長スキャンモードでは、定義済み波長スペクトル全体の、溶液の光の吸光度が測定されます。

測定結果は、曲線、透過率 (%T) または吸光度 (Abs) として表示され、まず収集されたデータは、表または曲線として印刷することができます。

データの表示形式を変更することができます。それには、自動拡大縮小機能も含まれます。最大値と最小値が決定され、表として表示されません。

カーソルは、吸光度または透過率の値と波長を読み取るために、曲線上の任意の点に移動することができます。それぞれのデータ点に関連しているデータもまた、表として表示することができます。

波長スキャンの設定

メインメニューの [Wavelength Scan (波長スキャン)] を押します。パラメーター設定用の [Options () オプション] を押します。



表 5 波長スキャン時のオプション

オプション	説明
詳細	詳細オプションが表示されます。
フォルダーアイコン	スキャン データを保存します。
リファレンス オン / オフ	保存されているスキャンの表示リストから記録を選択して、リファレンス スキャン / スーパーインポーズ スキャンとして使用します。これは実際に測定されたスキャンと比較して、ハイライト表示または、バックグラウンドで表示することができます。 <i>このオプションは、同じ波長レンジとステップとともに保存されているスキャンが存在する場合のみ、使用することができます。</i>
λ	波長スペクトルとスキャン間隔を入力します。
タイマーアイコン	これはストップウォッチとして機能します。測定手順を時間どおりに実施するのに役立ちます (反応時間、待ち時間などを正確に指定できます)。指定した時間が経過すると音が鳴ります。タイマーの利用は測定プログラムに影響がありません。
View Table/Graph (表 / グラフを表示)	表形式のスキャンデータ (波長 / 吸光度) または曲線グラフに切り替えることができます。 <i>最初の測定後には、[View Table (表を表示)] が有効になります。</i>



波長スキャンの実行

すべてのスキャンパラメーターを選択したら、ベースライン（初期のゼロ測定値）を測定します。スキャンパラメーターを変更した場合は、新しいベースラインを測定する必要があります。ベースラインのスキャンが完了すれば、装置で1つまたは複数の試料をスキャンすることができます。



表 5 波長スキャン時のオプション (続き)

オプション	説明
カーソルモード	トラックまたはピーク/バレーを選択するには、このメニューオプションにより、グラフ上のどの点にカーソルが移動するかが決まります。
データの送信	データをプリンター、コンピュータ、または USB メモリースティック (タイプ A) に送信します。
積分: オン/オフ	積分からは面積が求められ、積分の微分係数からは元の関数が求められます
スケール & 単位	スケール: 自動スケールモードでは、スキャン全体が表示されるように y 軸が自動的に調整されます。 手動スケールモード では、スキャンの一部を表示することができます。 単位: 吸光度または透過率を選択します。
測定モード	???????: [Read (???)] をタップすると、1 つの測定結果が表示されます。 ?????? 1 ?????: 最大 5 個の角セルを装着したカラーセルインサートを測定可能なオプションの測定モードです。 ?????? 1 ?????: 最大 7 個の角セルを装着したカラーセルインサートを測定可能なオプションの測定モードです。
測定データの呼び出し	保存されている測定データ、波長スキャン、またはタイムスキャンを呼び出します。 データの保存、呼び出し、送信、削除、98 ページ を参照してください。
装置の設定モード	装置の基本データが表示されます。 データの保存、呼び出し、送信、削除、98 ページ を参照してください。

1. メインメニューでメニューオプション [Wavelength Scan (波長スキャン)] を選択します。
2. ゼロ溶液セルをセルコンパートメントに挿入し、セルコンパートメントカバーを閉じます。



3. **[Zero (ゼロ)]** を押します。

ベースラインスキャンが開始されると、グラフの下に「Zeroing (校正中)」と表示されます。

4. 準備した分析セルをセルコンパートメントに挿入し、セルコンパートメントカバーを閉じます。

5. **[Read (測定)]** を押します。

グラフの下に「Reading... (測定中 ...)」と表示され、スキャンした波長の吸光度または透過率の値が連続的に表示されます。



波長スキャンは、次の場合に完了します。

- グラフがフルサイズで表示されている。
- x軸のスケールが自動的に行なわれる。
- 縦方向のナビゲーションバーにあるカーソル機能がハイライト表示されている。
- 音が鳴る。
- スキャンを保存するには、**[Options (オプション)] > 保存シボルの**順に押します。

経時変化 (吸光度 / 透過率)

タイムスキャンモードは、ユーザーが指定した時間、吸光度または透過率データを収集するのに使用します。このデータは、グラフまたは表形式で表示できます。

タイムスキャンの設定パラメーター

1. メインメニューの [Time Course (タイムスキャン)] モードを押します。
2. [Options () オプション] を押してパラメーターを設定します。



表 6 タイムスキャンのオプション (続き)

オプション	説明
Scale & Units (スケールと単位)	スケール: 自動スケール モードでは、y 軸は自動的に調整されますので、スキャン全体が表示されます。手動スケールモードでは、スキャンの一部を表示することができます。 単位: 吸光度または透過率の選択。
データの送信	プリンター、コンピュータまたは USB メモリ スティック (タイプ A) にデータを送信します。
測定モード	シングル測定: [Read (測定)] をタップすると、1 つの測定結果が表示されます。 カラーセル 1 インチ角: 最大 5 個の角セルを装着したカラーセルインサートを測定可能なオプションの測定モードです。 カラーセル 1 センチ角: 最大 7 個の角セルを装着したカラーセルインサートを測定可能なオプションの測定モードです。
測定データの呼び出し	保存されている測定データ、波長スキャン、またはタイムスキャンを呼び出します。データの保存、呼び出し、送信、削除、98 ページを参照してください。
装置の設定	装置の基本データが表示されます。

表 6 タイムスキャンのオプション

オプション	説明
詳細	詳細オプションが表示されます。
フォルダーアイコン	スキャン データを保存します。
時間 & 間隔	データ収集のための合計時間と、データ点の収集間の時間間隔を入力します。
λ	波長設定を入力します。
表の表示	吸光度、透過率、または濃度の測定値を表示します。これは、試料データが収集された後に変更することができます。
タイマーアイコン	これはストップウォッチとして機能します。測定手順を時間どおりに実施するのに役立ちます (反応時間、待ち時間などを正確に指定できます)。指定した時間が経過すると音が鳴ります。タイマーの利用は測定プログラムに影響がありません。

メンテナンス

⚠ 注意

目や皮膚に対して化学的、生物学的な危険性があります。
マニュアルのこのセクションで説明されている作業は、資格のある担当者のみが実施してください。

注意

装置にだ残っているすべてのセルを取り外します。セルまたはその内容物を、指定された方法で廃棄します。

ランプの交換

⚠ 危険

感電の危険
ランプ交換手順を実行する前に装置から電源を切断し、ランプ交換手順が完了するまで電源に接続しないでください。

⚠ 注意

火傷の危険。
ランプが冷めるまでお待ちください。熱いランプに触ると熱傷の可能性があります。

注

ランプを持つ場合は、必ずランプホルダーを持ってください。ガラスには触らないでください。皮膚の上の物質が電球の上に焼き付いて、ランプの経年劣化が加速する可能性があります。

トラブルシューティング

表示されるエラー	原因	解決方法
テストの実行に関するエラー		
Barcode label not read (バーコードラベルを読み取れません)	バーコード・エラー	セルを挿入し直します。それでもバーコードが認識されない場合は、技術サポートに連絡してください。
Please close the cover. (カバーを閉じてください。)		カバーを閉じます。
吸光度 > 3.5I	測定された吸光度が 3.5 を超えています	試料を希釈して再度測定します。
Fault (エラー) Barcode check number? (バーコードチェック番号?) プログラムデータ更新が必要	保存済みのデータと相違	プログラムデータを更新します。
フルシステムチェックを実行することを推奨します。	空気測定チェックに失敗しました	装置の電源を切り、再度電源を入れます。システムチェックが正常に完了しない場合は、技術サポートに連絡してください。
ブランク値校正はできません!	LCW919 ではブランク値校正はできません。	
Fault (エラー) Program not accessible. (プログラムにアクセスできません。) プログラムデータ更新が必要	バーコード・テストがありません	プログラムデータを更新します。

表示されるエラー	原因	解決方法
Fault (エラー) キュベットを洗浄して下さい!	キュベットが汚れているが、キュベットに不溶性粒子があります。	キュベットを洗って、粒子を沈降させます。
エラー テスト・プログラムが停止しました。 光源をチェックして下さい。 フタを閉じて下さい。 エラー [xx]	装置を起動すると、テスト・プログラムが停止します	光源をチェックして、必要に応じて交換します。 フタを閉じます。 ???? を押します。
エラー テスト・プログラムが停止しました。 キュベットを外して下さい。 フタを閉じて下さい。	装置を起動すると、テスト・プログラムが停止します	キュベット / 試料セルをコンパートメント取り出します。 OK を押します。
エラー セルフチェックが停止しました。 ハードウェア エラー。 エラー [x]	電気的なエラー	技術サポートに連絡して、エラー番号をお知らせください。
エラー 周辺光が多すぎます! 装置を日陰に移動させるか、 フタを閉じて下さい	装置のセンサが過剰な周辺光を検知しました。	周辺光を低減させます。(直射日光を避けます。) フタを閉じます。
No help function is available for this program. (このプログラムではヘルプ機能は利用できません。)		

表示されるエラー	原因	解決方法
Shelf life exceeded! (使用期限が切れています。) Use chemicals? (薬品を使用しますか?)		分析が誤っている可能性があります。新しい試薬を使用します。
評価がありません!	試験データベース / ユーザー データベースにエラーがあります	プログラミングを確認します。 技術サポートに連絡してください。
バーコードなし	バーコードが認識されていません	セルを挿入し直します。 それでもバーコードが認識されない場合は、技術サポートに連絡してください。
Entry invalid! (無効な入力です。)	パスワードの誤入力	パスワードを忘れた場合： 技術サポートに連絡してください。
No valid data for these parameters! (これらのパラメーターに有効なデータがありません!)	データ分析不可、測定データなし	選択項目を変更します。
有効なデータが見つかりません!	データ・ログでデータの表示不可	選択項目を変更します。
No help function present. (ヘルプ機能はありません。)		
No measurement data present! (測定データがありません。)	データ分析設定は測定データがなければ指定できません。	選択項目を変更します。
Control range not reached! (コントロール範囲に達しませんでした。)	データ分析下限に達しませんでした	これは警告です。設定されたコントロール範囲に達しませんでした。

表示されるエラー	原因	解決方法
Control range exceeded! (コントロール範囲を超えました。)	データ分析上限を超えました。	これは警告です。コントロール上限を超えました。
濃度が高過ぎます!	計算された濃度が999999より高くなっています	試料を希釈して再度測定します。
測定範囲を超えています	測定された吸光度が、試験の校正範囲を超えています	試料を希釈して再度測定します。
測定範囲を下回っています	測定された吸光度が、試験の校正範囲を下回っています	可能であれば、測定範囲の低いテストを選択するか、パス長が長いキュベットを使用します
Possible interference by: (妨害物質の可能性:)	妨害物質のチェック	妨害物質が原因で測定が誤っている可能性があります。
Possible interference from: (妨害物質の可能性:)	妨害物質のチェック	妨害物質が原因で分析が誤っている可能性があります。
次回の点検期限経過		技術サポートに連絡して、装置の点検を依頼してください。
マイナス値の結果!	計算された結果がマイナスです	試料の濃度を確認します。
光源が不安定です!		測定場所に直射日光が当たらないようにします。
System check incorrect! (システムチェックが不正確です。)	空気の測定に失敗しました	装置の電源を切り、再度電源を入れます。システムチェックが正常に完了しない場合は、技術サポートに連絡してください。
温度高値異常 測定不可能		装置の電源を切り、数分間放置してクールダウンさせます。必要に応じて、装置を涼しい場所に移動します。

表示されるエラー	原因	解決方法
更新に関するエラー		
An error occurred when uploading the instrument data. (装置のデータのアップロード中にエラーが発生しました。)		手順を再度実行するか、技術サポートに連絡してください。
An error occurred when reading from the USB memory stick. (USBメモリースティックからの読み込み中にエラーが発生しました。)		手順を再度実行するか、技術サポートに連絡してください。
An error occurred when writing to the USB memory stick. (USBメモリースティックへの書き込み中にエラーが発生しました。)		手順を再度実行するか、技術サポートに連絡してください。
Please check on the current update file. (現在の更新ファイルを確認してください。)	更新中のエラー	USBメモリー・スティックを確認します。
Please contact Customer Service. (カスタマーサービスに連絡してください。)	更新中のエラー	
Please insert the USB memory stick. (USBメモリースティックを挿入してください。)		USBメモリー・スティックを装置のUSB Aポートに挿入します。
File for instrument update missing. (装置の更新ファイルがありません。)	更新中のエラー	USBメモリー・スティックを確認します。

表示されるエラー	原因	解決方法
File for instrument update is faulty. (装置の更新ファイルが不完全です。)	更新中のエラー	もう一度更新ファイルを保存し、手順を再度実行します。
Error copying from USB memory stick. (USB メモリースティックからのコピー中にエラーが発生しました。)	更新中のエラー	手順を再度実行するか、技術サポートに連絡してください。
No instrument backup present! (装置バックアップがありません。)		USB メモリー・スティックを確認します。
Insufficient memory for update (更新するにはメモリーが不足しています)	更新中のエラー	十分な空き容量のあるメモリーを選択します。
Update file is faulty. (更新ファイルが不完全です。)	更新中のエラー	もう一度更新ファイルを保存し、手順を再度実行します。
USB memory stick is not connected. (USB メモリースティックが接続されていません。)	更新できません。	USB メモリー・スティックを確認します。
ネットワーク接続に関するエラー		
ネットワーク設定をチェックしてください。		
接続を確認してください。		
接続を確認し管理者に連絡してください。	ネットワーク設定または FTP エラー	

表示されるエラー	原因	解決方法
Error when calling up the local IP address. (ローカル IP アドレスの呼び出し中にエラーが発生しました。)	ネットワーク設定 : DHCP クライアントが DHCP サーバーに接続していません	IP アドレスを再度入力します。
Error during default gateway setup. (デフォルトゲートウェイ設定中にエラーが発生しました。)	ネットワーク設定 : 固定 IP アドレスのデフォルト・ゲートウェイを設定できません	再度接続を作成します。
Error during network drive setup! (ネットワークドライブの設定中にエラーが発生しました。)	ネットワーク設定中のエラー ターゲットディレクトリが存在しません。	設定を確認します。 ターゲットディレクトリを定義します。
Error during subnet mask setup. (サブネットマスク設定中にエラーが発生しました。)	ネットワーク設定 : 固定 IP アドレスのサブネット・マスクを設定できません	サブネット・マスクを再度入力します。
Error in FTP connection. (FTP 接続中にエラーが発生しました。)	FTP エラー	装置がネットワークに接続されていることを確認します。
ネットワークのオフ	サイドバーを経由しての楽器のホームページへのアクセスはオフネットワークがセットアップ、	オンライン接続をアクティブにします。
Remote server cannot be reached. (リモートサーバーに接続できません。)	ネットワーク設定中のエラー	装置がネットワークに接続されていることを確認します。 DR 6000 の固定アドレスが受け付けられていません。
リモートサーバーに接続できず!	DR 6000 の固定アドレスが受け付けられていません。 入力したサーバー名が正しくありません。	[Automatic (自動)] に切り替えます。 正しいサーバー名を入力します。

表示されるエラー	原因	解決方法
Web server cannot be reached. (ウェブサーバーに接続できません。)	ホームページに接続できません。	しばらくしてから再接続します。

交換部品


説明	カタログ番号
ハロゲン・ランプ	A23778
重水素ランプ	A23792
ユニバーサルセルアダプタ	LZV902.99.0002 0
電源コード EU	YAA080
電源コード CH	XLH051
電源コード UK	XLH057
電源コード US	1801000
電源ケーブル 中国 / 豪州	XLH069
ヒューズ	A23772
フィルタパッド	LZV915
ダストカバー	LZV886
USB インターフェース保護キャップ	LZV881

기술 데이터

사전 공지 없이 변경될 수 있습니다!

성능 세부서	
작동 모드	투과율 (%), 흡광도 및 농도
광원	중수소 램프 (UV) 및 할로겐 램프 (가시광선)
파장 범위	190~1100 nm
파장 정확도	± 1nm(파장 범위 200~900nm)
파장 재현성	< 0.1nm
파장 분석	0.1nm
파장 보정	자동
파장 선택	자동 (선택한 방법을 기준으로 함)
스캔 속도	900nm/min(1nm 단위)
스펙트럼 대역폭	2nm(656nm 에서 1.5~2.9nm, D2 라인의 경우 1nm)
흡광 측정 범위	± 3 Abs(파장 범위 200~900nm)
흡광 정확도	5 mAbs(0.0~0.5 Abs 에서) < 1%(546nm 의 0.50~2.0 Abs 에서)
흡광 직선성	< 0.5%(2 Abs 까지) ≤ 1%(> 2 abs, 546nm 의 증성유리)
잡광	220nm 의 KI 용액 < 3.3 Abs / < 0.05%
블랭크값에 대한 흡광 드리프트 (30 분 기준선 안정)	190~199nm +/- 0.0100 Abs 200~349nm +/- 0.0054 Abs 350~899nm +/- 0.0034 Abs 900~1100nm +/- 0.0100 Abs
장기 안정성	10 시간 동안 546nm 에서 영점 ≤ 0.0034 Abs

성능 세부서	
데이터 로그	측정값 5,000개(결과, 날짜, 시간, 샘플 ID, 사용자 ID) 스캔 50 개, 시간 스캔 50 개
사용자 프로그램	200
물리적 및 환경적 세부서	
너비	500 mm(19.69in)
높이	215 mm(8.46in)
깊이	460 mm(18.11in)
무게	11 kg(24.25lb)
주변 작동 요구 사항	10~40 °C(50~104 °F), 최대 80% 상대 습도 (응축 형성 없음)
주변 보관 요구 사항	-25~60 °C (-13~140 °F), 최대 80% 상대 습도 (응축 형성 없음)
추가 기술 데이터	
전원 연결	100~240 V/50~60 Hz
전력 소비	150 VA
휴즈	T 2A H; 250 V(2 개)
인터페이스	최대 3m 길이의 차폐된 케이블만 사용 : 2x USB 유형 A 1x USB 유형 B 최대 20m 길이의 차폐된 케이블 (예 : STP, FTP, S/ FTP) 만 사용 1x 이더넷
하우징 등급	IP20, 셀 구역 덮개 포함
보호 등급	Class I

성능 세부서	
	이 제품은 CAN/CSA-C22.2 No. 61010-1, 제2판(개정 1 포함)의 요구 사항 또는 동일한 수준의 테스트 요구 사항을 추가한 동일 표준의 이후 버전 요구 사항에 따라 테스트를 거쳤습니.
오염 지수	2
설치 범위	II
최대 고도	2000m(6560ft)

일반 정보

안전 지침

기기를 개봉, 설정 또는 작동하기 전에 전체 사용 설명서를 자세히 읽으십시오. 모든 위험 및 경고 지침을 준수하십시오. 준수하지 않을 경우 작동가 심각한 부상을 입거나 기기가 손상될 수 있습니다.

본 기기의 보호 기능이 손상되지 않도록 본 설명서에서 설명하는 방법이 아닌 다른 방법으로 본 기기를 사용하거나 설치하지 마십시오.

위험

방지하지 않을 경우 사망 또는 심각한 부상을 초래할 수 있는 잠재적 또는 즉각적 위험 상황을 의미합니다.

경고

방지하지 않을 경우 사망 또는 심각한 부상을 초래할 수 있는 잠재적 또는 즉각적 위험 상황을 의미합니다.

주의

경미하거나 심하지 않은 부상을 초래할 수 있는 잠재적으로 위험한 상황을 의미합니다.

경고

방지하지 않을 경우 기기가 손상될 수 있는 상황을 의미합니다. 특별히 강조가 필요한 정보를 의미합니다.

참고 : 본문의 내용을 보충하는 정보입니다.

경고 라벨

기기에 부착된 모든 표시 및 라벨을 준수하십시오. 준수하지 않을 경우 부상을 입거나 기기가 손상될 수 있습니다. 기기에 부착된 기호의 경우, 해당 경고 지침이 사용자 설명서에 수록되어 있습니다.

	이 기호는 기기에 부착될 수 있으며, 사용자 설명서의 작동 및 / 또는 안전 지침을 참조합니다.
	기기에 부착된 이 기호는 뜨거운 표면을 나타냅니다.
	이 기호가 부착된 전기 장비는 2005년 8월 12일부터 더 이상 분류되지 않은 가정용 또는 산업용 폐기물로 폐기할 수 없습니다. 유효한 조항 (EU 지침 2002/96/EC) 에 따라, 이 시점부터 EU 내 소비자는 사용한 전기 기기를 해당 제조업체에 반환하여 폐기해야 합니다. 이 폐기 절차는 소비자에게 무료로 제공됩니다. 참고: 제품 수명이 다한 기기, 제조업체 제공 전기 액세서리 및 모든 보조 품목을 적절히 폐기 또는 재활용하기 위해 반환이 가능한지 제조업체 또는 공급업체에게 문의하십시오.

⚠ 경고

제조업체는 직접적, 부수적, 결과적 손해 등 이 제품을 잘못 적용하거나 오용하여 발생한 어떠한 손해에 대해서도 책임을 지지 않으며 관계법에 따 허용되는 범위 내에서 그러한 손해에 대한 책임을 면합니다.

중대한 적용 위험을 식별하고 장비 오작동이 발생할 경우 공정을 보호하기 위해 적절한 장치를 설치하는 것은 사용자의 단독 책임입니다.

광원 주변 안전

광원은 고온으로 작동합니다.

감전 위험을 방지하려면 램프를 교환하기 전에 기기에서 전원이 분리되었는지 확인하십시오.

⚠ 주의

오존으로 인한 건강 위험.

UV 램프가 식지 않은 때는 오존이 유해한 수준으로 발생할 수 있습니다.

⚠ 경고

자외선으로 인한 건강 위험.

자외선이 눈과 피부를 손상시킬 수 있습니다. 자외선에 직접 노출되지 않도록 눈과 피부를 보호하십시오.

UV 보안경을 착용하지 않고 켜져 있는 램프를 직접 보지 마십시오.

⚠ 주의

화상 위험. 램프를 정비 / 교체하기 전에 적어도 30 분 이상 램프를 식히십시오.

RFID 모듈 (일부 모델에서만 사용 가능)

RFID 기술은 무선 애플리케이션입니다. 무선 애플리케이션에는 국가 승인 조건이 적용됩니다. DR 6000(RFID 모듈 포함 모델) 은 현재 유럽, 중국, 노르웨이, 크로아티아, 세르비아, 마케도니아, 터키, 키프로스, 미국, 캐나다, 오스트레일리아, 뉴질랜드에서 사용할 수 있습니다. 위에 명시되지 않은 지역에서 DR 6000(RFID 모듈 포함 모델) 을 사용할 경우 해당 국가의 법률을 위반하는 것이 될 수 있습니다. 제조업체는 다른 국가에서 승인을 얻을 수 있는 권리도 지고 있습니다. 현재 지역에서 사용이 가능한지 여부는 대리점에 문의하십시오.

DR 6000 에는 정보 및 데이터를 송수신하기 위한 RFID 모듈이 장착되어 있습니다. RFID 모듈은 13.56MHz 의 주파수로 작동합니다.

⚠ 경고

반광광도계는 위험한 환경에서는 사용할 수 없습니다.

제조업체 및 해당 공급자는 위험성이 높은 활동에 사용할 경우 명시적인 또는 간접적인 보장을 거부합니다.

적용되는 현지 지침 및 다음 안전 정보에 따르십시오.

기기의 올바른 사용을 위한 안전 정보:

- 본 기기를 심박조정기 또는 보청기 같은 의료 기기가 부근에 있는 병원 및 유사 시설에서 작동하지 마십시오.
- 본 기기를 연료, 고가연성 화학 제품 및 폭발물 같은 가연성 물질 근처에서 작동하지 마십시오.
- 본 기기를 가연성 가스, 증기 또는 먼지가 많은 곳에서 작동하지 마십시오.
- 기기를 흔들거나 기기에 충격을 가하지 마십시오.
- 기기는 텔레비전, 라디오 및 컴퓨터 가까이에 있는 경우 간섭을 유발할 수 있습니다.
- 기기를 열지 마십시오.
- 본 문서에 명시된 지침에 따라 본 기기를 사용하지 않을 경우 보증이 무효화됩니다.

화학 및 생물학적 안전

⚠ 위험

화학적 / 생물학적 물질과 접촉할 수 있는 위험.

화학 시료, 표준 용액 및 시약을 다루는 작업은 위험할 수 있습니다. 기기를 사용하기 전에 필수 안전 절차 및 화학 물질의 올바른 처리 방법을 습득하고 모든 관련 안전 데이터 시트를 읽은 후 이에 따르십시오.

본 기기를 정상적으로 작동하는 과정에서 생물학적으로 안전하지 않은 화학물질 또는 샘플을 사용해야 할 수 있습니다.

- 사용자는 사용하기 전에 원래의 용액 용기와 안전 데이터 시트에 인쇄된 모든 주의 정보를 준수해야 합니다.
- 사용한 용액은 모두 해당국 및 현지의 규정과 법률에 따라 폐기하십시오.
- 사용하는 위험물의 농도 및 수량에 적합한 보호 장비 유형을 선택하십시오.

제품 개요

DR 6000은 파장 범위 190-1100nm의 UV-VIS 분광광도계입니다. 가시광선 스펙트럼 (320-1100nm)에는 할로겐 램프가 사용되며, 자외선 스펙트럼 (190-360nm)의 광선은 수소 램프를 통해 생성됩니다.

이 기기는 애플리케이션 프로그램 일체와 함께 제공되고 여러 언어를 지원합니다.

DR 6000 분광광도계는 다음 프로그램 및 작동 모드를 포함합니다.

- 저장된 프로그램 (사전 설치된 테스트)
- 바코드 프로그램
- 사용자 프로그램
- 즐겨찾기
- 단파장
- 다중 파장
- 파장 스캔
- 시간 과정

DR 6000 분광광도계는 농도, 흡광도 및 퍼센트 투과도의 디지털 판독값을 제공합니다.

사용자가 만든 방법이나 프로그래밍된 방법을 선택할 경우 테스트를 통해 사용자를 안내하는 메뉴와 프롬프트가 제공됩니다.

이 메뉴 시스템을 사용하여 보고서, 생성된 보정 곡선의 통계 평가, 기기 진단 검사 보고서를 작성할 수도 있습니다.

설치

⚠ 경고

전기 위험 및 화재 위험
제공된 전원 케이블만 사용하십시오.

자격 있는 전문가만이 해당 지역에서 적용되는 안전 규정에 따라 설명서의 이 절에 설명된 작업을 수행할 수 있습니다.

⚠ 경고

분리 가능한 전원 케이블을 규격 치수가 아닌 전원 케이블로 교체하지 마십시오 .

장비의 기본 구성품

DR 6000 분광광도계 패키지에는 다음 품목이 포함됩니다 .

- DR 6000 분광광도계
- 먼지 덮개
- 표준에 맞는 USB 먼지 덮개
- US 및 EU 용 전원 케이블 (중국으로 배송 시 CN 용 전원 케이블)
- 범용 셀 어댑터
- 조작자 RFID 태그 (일부 모델에서만 사용 가능)
- 1 인치 셀 , 매칭되는 쌍
- 기본 DR 6000 사용자 설명서 , LINK2SC 사용자 설명서

자세한 내용은 제조업체 웹 사이트의 상세 사용 설명서 및 문서를 참조하십시오 .

참고 : 이 중에서 누락되거나 손상된 품목이 있으면 즉시 제조업체나 판매 대리점에 문의하십시오 .

동작 환경

기기가 오류 없이 기능하고 사용 수명이 연장되도록 다음 사항을 준수하십시오 .

- 기기를 평평한 표면에 흔들리지 않도록 안전하게 배치하십시오 .
기기 아래로 어떠한 물체도 밀어넣지 마십시오 .
- 전원 케이블이 손상되지 않도록 기기를 배치하십시오 .
- 주변 온도는 10~40°C(50~104°F) 여야 합니다 .

주의사항

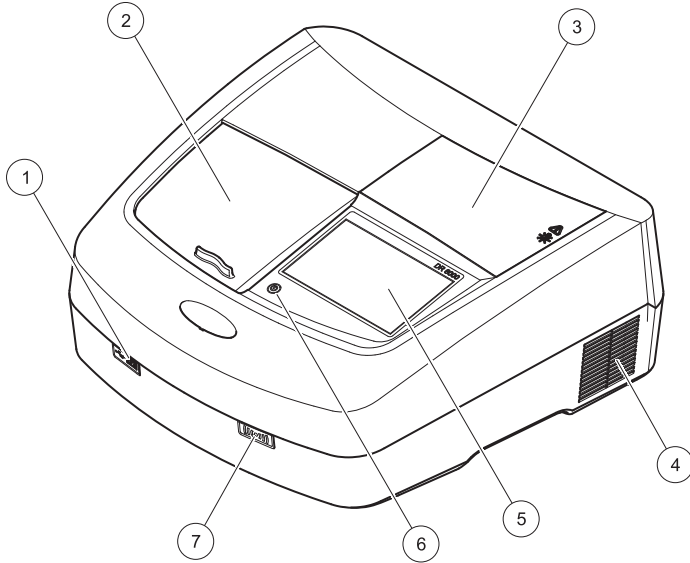
히터, 직사광선 및 기타 열원에서 발생하는 고온으로부터 기기를 보호하십시오 .

- 상대 습도는 80% 미만이고 습기가 기기에 응축되지 않아야 합니다 .
- 전자 부품의 과열을 방지하기 위해 상단과 모든 측면에 최소 15cm 간격을 두어 공기가 원활히 순환되도록 하십시오 .

- 먼지나 습기가 너무 많거나 젖은 위치에서 기기를 사용하거나 보관하지 마십시오 .
- 기기 표면 , 셀 구획 및 모든 부속품은 항상 깨끗하고 건조하게 유지하십시오 . 물이 튀면 즉시 제거하고 기기 안이나 위에 물질을 떨어뜨리지 마십시오 ([유지관리](#) , [136 페이지](#) 참조) .

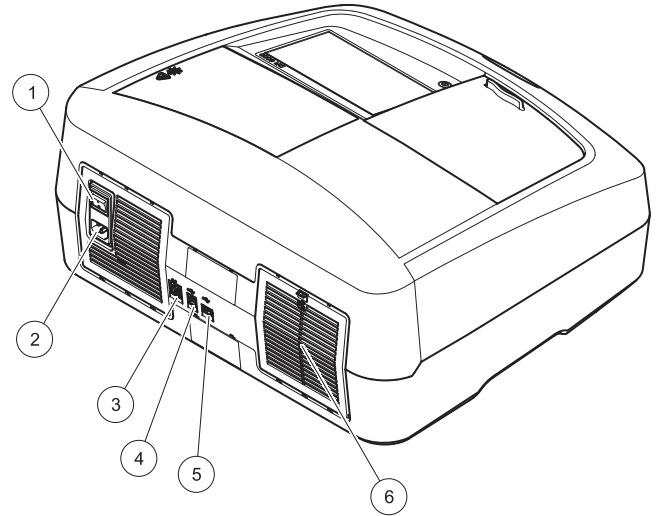
전면 및 후면

그림 1 전면



1	USB 포트 유형 A	5	터치 스크린
2	셀 구획 덮개	6	절전 키
3	램프 구획 덮개	7	RFID 모듈(일부 모델에서만 사용 가능)
4	팬 배기구		

그림 2 후면



1	온 / 오프 스위치	4	USB 포트 유형 B
2	전원 케이블 소켓	5	USB 포트 유형 A
3	이더넷 포트	6	필터 패드 덮개

전원 연결

주의사항

이 기기를 전원에 연결할 때는 반드시 접지된 소켓을 사용하십시오. 소켓이 접지되어 있는지 확실하지 않을 경우 자격 있는 전기 기술자에게 확인 의뢰하십시오. 전원 플러그는 전원 공급 이외에도 필요할 경우 기기에서 신속하게 전원을 분리하는 역할도 제공합니다. 전원을 분리할 때 올바른 전원 플러그를 뽑을 수 있도록 예를 들어 소켓에 라벨을 표시하는 등의 방법을 사용하십시오. 이렇게 하면 장기간 보관 시 용이하게 전원 분리를 할 수 있으며, 고장 시 발생 가능한 위험을 방지할 수 있습니다. 따라서 고장 시 기기가 연결되는 소켓에 쉽게 손이 닿을 수 있어야 합니다.

경고

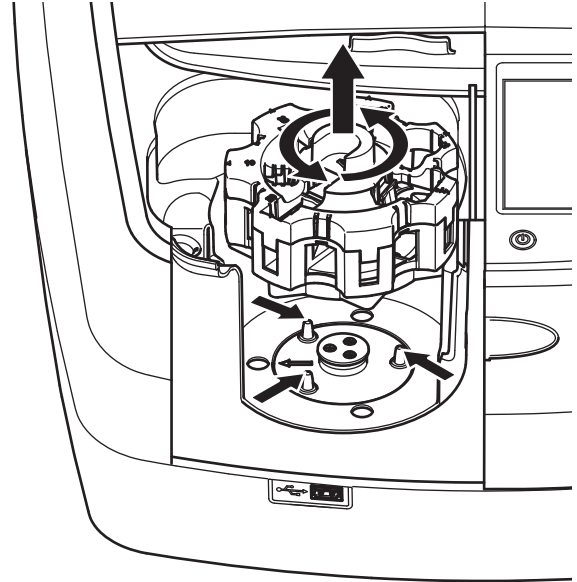
전기 위험 및 화재 위험
제공된 전원 케이블만 사용하십시오.

1. 전원 케이블을 기기 뒷면에 꽂습니다 (후면, 120 페이지).
2. 전원 케이블 플러그를 접지된 주 전원 소켓 (100-240 V~ / 50-60 Hz) 에 꽂습니다.
3. 전원 버튼을 "On" 으로 눌러 기기를 켭니다 (후면, 120 페이지).

범용 셀 어댑터 배치 방법

1. 셀 구획을 엽니다.
2. 셀 어댑터를 약 1cm 들어올립니다.
3. 범용 셀 어댑터를 필요한 셀 프로필이 왼쪽으로 셀 구역 (1) 을 바라보도록 돌립니다.
4. 범용 셀 어댑터를 결합음을 내며 제자리에 고정될 때까지 누릅니다.

그림 3 범용 셀 어댑터 배치 방법



시작

기기의 전원 켜기, 시작 프로세스

1. 전원 케이블을 전원 소켓에 연결합니다.
2. 뒷면의 전원 스위치로 기기를 켭니다.
3. 기기가 시작 프로세스 (약 45 초 소요) 를 자동으로 시작합니다. 디스플레이에 제조업체 로고가 표시됩니다. 시작 프로세스가 끝나면 시작 멜로디가 들립니다.

참고: 기기의 전자 및 기계적 손상을 방지하기 위해 약 20 초 정도 기다린 후 전원을 다시 켭니다.

언어 선택



DR 6000 소프트웨어에는 여러 개의 언어 옵션이 포함되어 있습니다. 기기의 처음 켤 때 시작 프로세스 후에 언어 선택 화면이 자동으로 나타납니다.

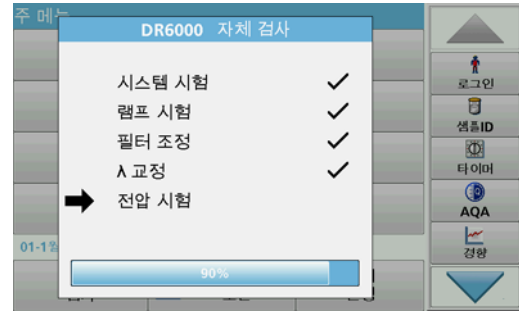
1. 원하는 언어를 선택합니다.
2. **확인**을 눌러 언어 선택을 확인합니다. 이렇게 하면 자가 검사가 자동으로 시작됩니다.

언어 설정 변경

옵션을 변경할 때까지는 기기가 선택된 언어로 작동합니다.

1. 기기를 켭니다.
2. 시작 프로세스가 실행되는 동안(약 45초) 디스플레이에서 언어 선택 목록이 표시될 때까지 아무 지점이나 누릅니다.
3. 원하는 언어를 선택합니다.
4. **확인**을 눌러 언어 선택을 확인합니다. 이렇게 하면 자가 검사가 자동으로 시작됩니다.

자가 검사



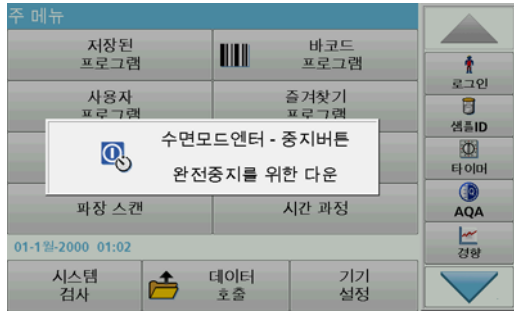
기기의 전원을 켤 때마다 테스트 프로그램이 시작됩니다.

2 분 정도 걸리는 이 절차에서는 시스템, 램프, 필터 조정, 파장 교정 및 전압을 검사합니다. 디스플레이에 검사된 각 기능이 검사 완료로 표시됩니다.

진단이 끝나면 주 메뉴가 표시됩니다.

참고: 테스트 프로그램 중 추가 오류 메시지가 표시되면 [문제 해결, 136 페이지](#)를 참조하십시오.

절전 모드



기기를 절전 모드로 설정할 수 있습니다.

1. 디스플레이 아래의 절전 키를 누릅니다.
"절전 모드" 메시지가 표시됩니다. 이 메시지가 표시되면 디스플레이가 자동으로 꺼집니다.
2. 기기를 켜려면 절전 키를 다시 누릅니다.
자가 검사가 자동으로 시작됩니다.
이렇게 하면 기기를 사용할 수 있습니다.

기기 전원 끄기

1. 기기 뒷면의 전원 스위치를 누릅니다.

표준 프로그램

개요

터치 스크린 사용 요령

전체 디스플레이를 누를 수 있습니다. 손톱, 손가락, 지우개 또는 스타일러스로 눌러 항목을 선택합니다. 날카로운 물건으로 디스플레이를 누르지 십시오 (예: 볼펜의 끝부분).

- 화면이 손상되거나 긁힐 수 있으므로 화면 위에 물건을 올려놓지 마십시오.
- 버튼, 단어 또는 아이콘을 눌러서 선택합니다.
- 긴 목록을 빠르게 이동하려면 스크롤 막대를 사용합니다. 스크롤 막대를 누르고 위 또는 아래로 이동하면 목록이 이동합니다.
- 목록의 항목을 한 번 누르면 강조 표시됩니다. 항목이 선택되면 반전된 텍스트 (검은색 배경에 밝은색 텍스트)로 표시됩니다.

영숫자 키패드 사용



이 디스플레이는 기기를 프로그래밍할 때 필요에 따라 문자, 숫자 및 기호를 입력하는 데 사용됩니다. 사용할 수 없는 옵션은

비활성화(회색으로 표시)됩니다. 디스플레이 왼쪽 및 오른쪽의 기호는 표 1에 설명되어 있습니다.

중앙 키패드의 표시 내용은 선택된 항목 기능에 따라 바뀝니다. 디스플레이에 필요한 문자가 표시될 때까지 각 키를 반복해서 누릅니다. YZ_ 키에 밑줄을 사용하여 공백을 입력할 수 있습니다.

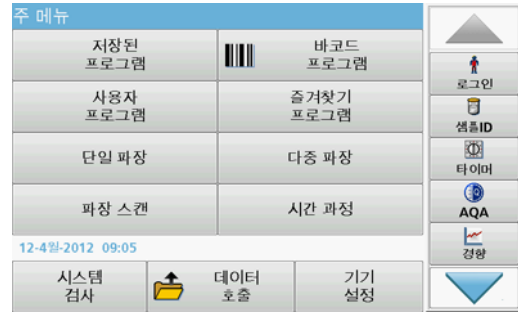
입력을 취소하려면 **취소**를 누르고 입력을 저장하려면 **확인**을 누릅니다.

참고: USB 키보드(미국 키보드 레이아웃 사용)를 사용하거나 휴대용 USB 바코드 스캐너를 사용할 수도 있습니다 (교체용 부품, 139 페이지 참조).

표 1 영숫자 키패드

아이콘 / 키	설명	기능
ABC/abc	알파벳순	문자 입력 모드를 대문자와 소문자 간에 전환합니다.
# %	기호	문장 부호, 기호, 숫자 아래 첨자 및 위 첨자를 입력할 수 있습니다.
123	숫자	일반 숫자 입력
CE	항목 지우기	항목을 지웁니다.
왼쪽 화살표	뒤로 키를 선택합니다.	현재 문자를 삭제하고 이전 위치로 돌아갑니다.
오른쪽 화살표	다음	한 항목에서 다음 공간으로 이동합니다.

주 메뉴



주 메뉴에서 다양한 모드를 선택할 수 있습니다. 다음 표에서는 각 메뉴 옵션에 대해 간략하게 설명합니다.

디스플레이 오른쪽에 도구 모음이 있습니다. 도구 모음을 누르면 다양한 기능이 활성화됩니다.

표 2 주 메뉴 옵션

옵션	기능
저장된 프로그램 / 바코드 프로그램 (HACH-LANGE 프로그램)	저장된 프로그램은 HACH 화학 물질 및 HACH-LANGE 피펫 테스트를 이용하는 사전 프로그래밍된 방법입니다. HACH-LANGE 테스트에 대한 작업 절차는 테스트 팩에 포함되어 있습니다. 자세한 내용뿐만 아니라 그림 단계별 프로세스 지침 HACH 프로그램을 사용하여 분석, 제조업체의 웹 사이트에서 사용할 수 있습니다.

표 2 주 메뉴 옵션

옵션	기능
사용자 프로그램	<p>사용자 프로그램은 "분석 측정(made to measure analysis)"을 가능하게 합니다.</p> <ul style="list-style-type: none"> • 사용자는 자신이 개발한 방법을 프로그래밍할 수 있습니다. • 기존 HACH 및 HACH-LANGE 절차를 사용자 프로그램으로 저장할 수 있습니다. 그런 다음 이들 절차를 별도의 요구 사항에 따라 수정할 수 있습니다.
즐거찾기	<p>사용자의 요구 사항에 맞게 사용자가 만든 방법 / 테스트의 목록</p>
단일 파장	<p>단파장 측정은 다음과 같습니다.</p> <p>출광도 측정: 시료에 의해 흡수된 빛의 양을 출광도 단위로 측정합니다.</p> <p>투과율 (%): 시료를 통과하고 검출기에 도달하는 원광의 비율을 측정합니다.</p> <p>농도 측정: 측정된 출광도 값을 농도 값으로 변환할 수 있는 농도 계수를 입력할 수 있습니다.</p>
다중 파장	<p>다중 파장 모드에서 출광도 (Abs) 또는 투과율 백분율 (%T)은 최대 4 개 파장에서 측정되며 출광도 차이와 출광도 관계가 계산됩니다. 농도로 간편한 전이 수행될 수 있습니다.</p>
파장 스캔	<p>파장 스캔은 빛이 어떻게 샘플에서 정의된 파장 스펙트럼에 흡수되는지 보여줍니다. 이 기능은 최대 출광도 값을 측정할 수 있는 파장을 결정하는 데 사용할 수 있습니다. 출광도 동작은 스캔 중 그래픽 방식으로 표시됩니다.</p>
시간 과정	<p>시간 과정은 정의된 시간에 파장에서 출광도 또는 % 투과율을 기록합니다.</p>
시스템 검사	<p>"시스템 검사" 메뉴는 광학 검사, 출력 검사, 램프 이력, 기기 업데이트, 서비스 시간, 품질 보증 분석 설정 및 기기 백업을 포함하여 여러 가지 옵션을 제공합니다.</p>
측정 데이터 호출	<p>저장된 데이터를 불러오고 필터링, 전송 및 삭제할 수 있습니다.</p>
기기 설정	<p>이 모드에서 조작자 ID, 시료 ID, 날짜 및 시간, 소리, PC 및 프린터, 암호, 에너지 절약 모드, 저장된 데이터 등 사용자별 설정이나 방법별 설정을 입력할 수 있습니다.</p>

데이터 저장 , 불러오기 , 보내기 및 삭제

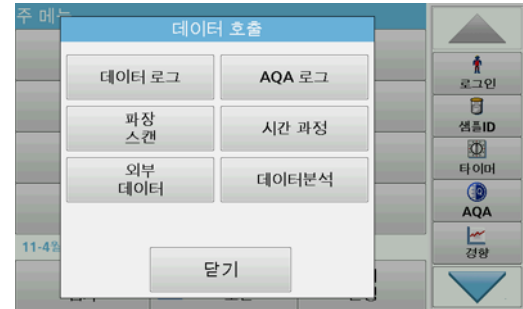
데이터 로그

다음 프로그램을 사용하여 데이터 로그에 최대 5000 개의 판독값을 저장할 수 있습니다.

- 저장된 프로그램,
- 바코드 프로그램,
- 사용자 프로그램,
- 즐겨찾기,
- 단파장 및
- 다중 파장.

날짜, 시간, 결과, 시료 ID 및 조작자 ID 를 포함하여 전체 분석 레코드가 저장됩니다.

데이터 로그에서 저장된 데이터 호출



1. 주 메뉴에서 **데이터 호출**을 누릅니다.



2. 데이터 로그를 누릅니다.
저장된 데이터의 목록이 표시됩니다.

- 샘플 ID
- 조작자 ID
- 시작 날짜
- 매개변수
또는 위의 조합

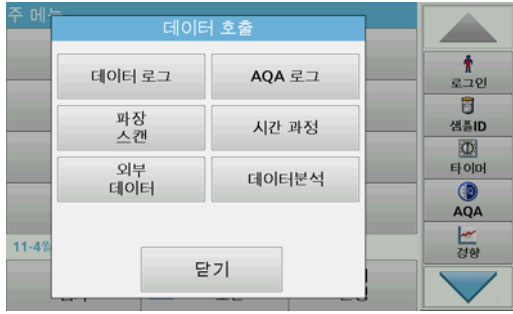


3. 필터 : 설정 / 해제를 누릅니다.
필터 설정 기능은 특정 항목을 검색하는 데 사용됩니다.
4. 설정을 활성화합니다. 이제 데이터를 다음 선택 기준에 따라 필터링할 수 있습니다.

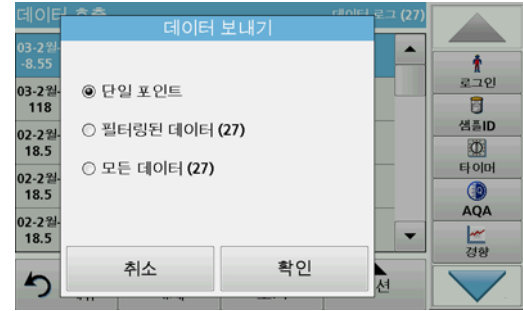
5. 확인을 눌러 선택을 확인합니다.
선택한 항목이 표시됩니다.

데이터 로그의 데이터 보내기

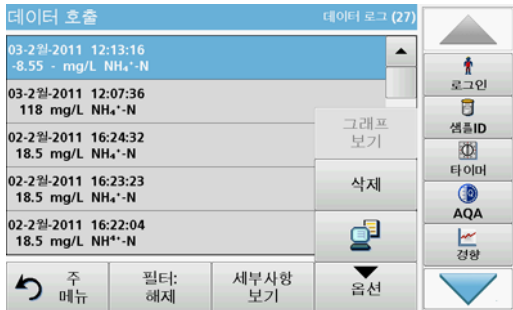
데이터는 XML(Extensible Markup Language) 파일 또는 CSV(Comma Separated Value) 파일 형태로 내부 데이터 로그에서 USB 대량 저장 장치 또는 네트워크 드라이브에는 DataLog라는 디렉터리로 전송됩니다. 파일은 스프레드시트 프로그램을 사용하여 처리할 수 있습니다. 파일명은 DLYear-Month-Day_Hour_Minute_Second.csv 또는 DLYear-Month-Day_Hour_Minute_Second.xml 형식으로 되어 있습니다.



4. 옵션을 누른 다음 PC & 프린터 기호를 누릅니다.



1. USB 저장 장치를 DR 6000 의 USB A 포트에 꽂거나 DR 6000 을 네트워크 드라이브에 연결합니다.
2. 주 메뉴에서 **데이터 호출**을 누릅니다.
3. 전송할 데이터 카테고리 (예 : **데이터 로그**) 를 선택합니다. 선택한 측정 데이터 목록이 표시됩니다.



5. 보낼 데이터를 선택합니다. 사용 가능한 옵션 :
 - **단일 포인트** : 선택한 이 판독값만 보내집니다.
 - **필터링된 데이터** : 필터를 설정한 판독값만 보내집니다.
 - **모든 데이터** : 선택한 데이터 카테고리에 있는 모든 데이터가 보내집니다.
6. **확인**을 눌러 확인합니다.
참고 : 괄호의 숫자는 이 선택 사항에 할당된 총 데이터 집합 수입니다.

저장된 프로그램

저장된 프로그램 메뉴를 통해 200 개 이상의 사전 프로그래밍된 프로세스를 불러올 수 있습니다. 저장된 프로그램에는 바코드 테스트가 포함되어 있지 않습니다.

저장된 테스트 / 방법을 선택하고 사용자별 기본 데이터를 입력합니다.

저장된 프로그램		
315	Molybden LR	3.00 mg/L
66	Monokloramin LR	4.50 mg/L
388	N Ammoniak Fri	0.50 mg/L
380	N Ammoniak Nessler	2.50 mg/L
385	N Ammoniak Salic.	0.50 mg/L
361	N Nitrat HR AV	30.0 mg/L
355	N Nitrat HR PP	30.0 mg/L
351	N Nitrat LR	0.50 mg/L
359	N Nitrat MR AV	10.0 mg/L
353	N Nitrat MR PP	10.0 mg/L

주 메뉴
번호로 선택
프로그램 옵션
시작

로그인
샘플ID
타이머
AQA
경향

1. 주 메뉴에서 저장된 프로그램을 눌러 프로그램 번호가 있는 저장된 프로그램의 영숫자 목록을 확인합니다.

"저장된 프로그램" 목록이 나타납니다.

2. 필요한 테스트를 강조 표시합니다.

참고: 프로그램을 이름별로 선택하거나 화살표 키를 사용하여 목록 전체를 스크롤합니다. 프로그램을 강조 표시하거나 번호로 선택을 눌러 특정 프로그램 번호를 검색합니다. 확인을 눌러 확인합니다.

3. 시작을 눌러 프로그램을 실행합니다. 해당 측정 창이 표시됩니다.

참고: 해당하는 모든 데이터 (파장, 계수 및 상수)가 이미 사전 설정되어 있습니다.

4. 화학 절차 설명서를 따르십시오. 자세한 내용은 제조업체의 웹 사이트를 참조하십시오.

참고: 절차 설명서를 디스플레이에서 보려면 정보 아이콘을 누릅니다. 이 옵션은 일부 테스트에서만 사용할 수 있습니다.

시료 분석



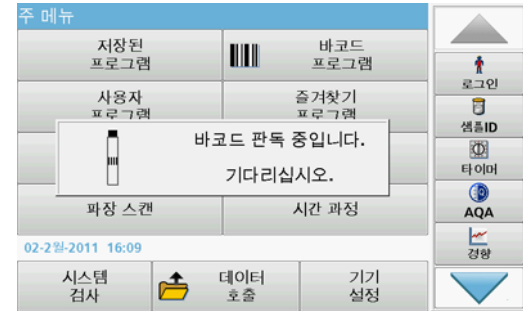
1. 저장된 프로그램을 누르고 프로그램을 선택합니다.

참고: 절차 설명서가 사용 가능할 경우, 디스플레이에 정보 아이콘을 통해 해당 절차 설명서가 표시됩니다.

2. 영점 조정 영역을 셀 구획에 삽입합니다.

3. 영점 조정을 누릅니다.

바코드 테스트 실행



4. 셀 구획에서 영점 조정 용액 셀을 제거합니다. 시료 셀을 셀 구획에 삽입합니다.
5. **판독**을 누릅니다. 결과가 표시됩니다.
참고 : 시료 회석을 정의하려면 도구 모음에서 **회석** 키를 누릅니다.
6. 데이터 저장은 **질 데이터 로그**, **125 페이지**를 참조하십시오.

1. 작업 설명서에 따라 바코드를 준비하고 셀 구역 (1) 에 셀을 삽입합니다.
 - 코딩된 셀을 셀 구획 (1)([범용 셀 어댑터 배치 방법, 121 페이지](#)) 에 삽입하면 주 메뉴에서 해당 측정 프로그램이 자동으로 활성화됩니다.

바코드 프로그램

셀 구획 #1의 특수 바코드 판독기는 큐벳/바이얼이 한 번의 회전을 완료할 때 13mm 큐벳/바이얼의 바코드를 판독합니다. 기기는 바코드 ID를 사용하여 분석에 맞는 파장을 자동으로 설정하고 저장된 계수를 사용하여 결과를 즉시 계산합니다.

또한 판독값이 회전 중에 10개의 다른 위치에 기록됩니다. 특수한 특이값 제거 (outlier-elimination) 프로그램이 실행된 후 측정된 값의 평균이 계산됩니다. 셀과 원형셀 고장 및 오염이 감지되고, 따라서 매우 정밀한 결과가 측정됩니다.



- 활성화되지 않을 경우 주 메뉴에서 **바코드 프로그램** 메뉴 옵션을 선택하고 영점 조정 셀 (작업 설명에 따라 다름) 을 셀 구획 (1) 에 삽입합니다.

참고: 설명서에 대한 자세한 내용은 "정보" 기호를 누르십시오.



측정이 자동으로 시작되고 결과가 표시됩니다.

참고: 시료 회석을 정의하려면 도구 모음에서 **회석** 키를 누릅니다.

다른 셀 테스트와 다른 매개변수를 평가하려면 준비된 셀을 셀 구획에 삽입하고 그 결과를 읽습니다.

참고: 디스플레이 오른쪽에 표시되어 있는 제어 막대는 측정 결과와 측정 범위 간 관계를 표시합니다. 파란색 막대는 입력한 회석 계수와 무관하게 판독값을 표시합니다.

확장된 프로그램

단일 파장 (흡광도, 농도 및 투과율 판독값)

단일 파장 모드는 세 가지 방법으로 사용할 수 있습니다. 단일 파장의 시료 판독값의 경우, 분석대상물의 흡광도, % 투과율 또는 농도를 측정하도록 기기를 프로그래밍할 수 있습니다.

- 흡광도 측정: 시료에 의해 흡수된 빛의 양을 흡광도 단위로 측정합니다.

- % 투과율은 시료를 통과하고 검출기에 도달하는 원광의 비율을 측정합니다.
- 농도 계수를 켜면 흡광도 판독값을 농도로 변환하기 위한 특정 승수를 선택할 수 있습니다. 농도 대 흡광도 그래프에서 농도 계수는 라인의 경사입니다.

단일 파장 모드 설정

1. 주 메뉴에서 **단일 파장**을 누릅니다.
2. 매개변수 설정의 **옵션**을 누릅니다.



표 3 단일 파장용 옵션

옵션	기술
자세히	추가 옵션
측정 데이터 호출 기호	저장된 측정 데이터, 파장 스캔 또는 시간 과정을 불러옵니다 (데이터 저장, 불러오기, 보내기 및 삭제, 125 페이지 참조).
% 투과율 / 흡광도	판독 모드 시 % 투과율에서 농도 또는 흡광도로 전환합니다.
λ 파장	파장 설정 입력. 영숫자 키패드를 사용하여 판독 파장을 입력합니다. 190~1100nm 범위의 파장을 입력할 수 있습니다.
타이머 아이콘	스톱워치 기능을 합니다. 분석 단계의 시간을 정확하게 유지해줍니다 (예를 들어 반응 시간, 대기 시간 등을 정확히 지정할 수 있습니다). 지정된 시간이 경과하면 신호음이 나옵니다. 타이머 사용은 판독 프로그램에 영향을 미치지 않습니다.
농도 계수: Off/On	흡광도 값을 농도 값으로 변환하는 곱셈 계수.



- 농도 계수를 켜면 흡광도 판독값을 농도로 변환하기 위한 특정 승수를 선택할 수 있습니다. 농도 대 흡광도 그래프에서 농도 계수는 라인의 경사입니다. 농도는 사용자가 입력한 각 파장에 대해 단일 계수를 사용하여 계산합니다.

다른 파장에서 판독 모드 설정

주 메뉴에서 **다중 파장**을 누릅니다. 매개변수 설정의 **옵션**을 누릅니다.

표 3 단일 파장용 옵션 (계속)

옵션	기술
농도 분해능	소수 자릿수를 선택합니다.
사용자 프로그램으로 저장	선택한 매개변수를 사용자 프로그램으로 저장하려면 단일 파장 (흡광도, 농도 및 투과율 판독값) , 130 페이지 (를) 참조하십시오.
판독 모드	단일 판독: 판독을 누르면 1 개의 측정 결과가 표시됩니다. 연속 판독: 영점 조정 측정 이후 모든 판독값이 자동 및 연속적으로 표시됩니다. 캐로셀 1 인치 정방향: 최대 5 개의 정방향 셀을 포함하는 캐로셀 인서트를 측정합니다 (옵션). 캐로셀 1cm 정방향: 최대 7 개의 정방향 셀을 포함하는 캐로셀 인서트를 측정합니다 (옵션).
측정 데이터 호출	저장된 측정 데이터, 파장 스캔 또는 시간 과정을 불러옵니다 (데이터 저장, 불러오기, 보내기 및 삭제 , 125 페이지 참조).
기기 설정 모드	측정 기본 데이터 (데이터 저장, 불러오기, 보내기 및 삭제 , 125 페이지 참조).



표 4 다중 파장 설정 옵션

옵션	기술
자세히	추가 옵션
측정 데이터 호출 기호	저장된 측정 데이터, 파장 스캔 또는 시간 과정을 불러옵니다 (데이터 저장, 불러오기, 보내기 및 삭제 , 125 페이지 참조).
% 투과율 / 흡광도	판독 모드 시 % 투과율에서 농도 또는 흡광도로 전환합니다.
λ 파장	파장 설정 입력. 영숫자 키패드를 사용하여 판독 파장을 입력합니다. 190–1100nm 범위의 파장을 입력할 수 있습니다.
타이머 아이콘	스톱워치 기능을 합니다. 분석 단계의 시간을 정확하게 유지해줍니다 (예를 들어 반응 시간, 대기 시간 등을 정확히 지정할 수 있습니다). 지정된 시간이 경과하면 신호음이 나옵니다. 타이머 사용은 판독 프로그램에 영향을 미치지 않습니다.
농도 계수	흡광도 값을 농도 값으로 변환하는 곱셈 계수.
농도 분해능	소수 자릿수를 선택합니다.
흡광도 공식	시료 계산을 위한 계산 기본

다중 파장 모드 - 2 개 이상의 파장을 갖는 판독값

다중 파장 모드에서는 최대 4 개의 파장에서 흡광도 값을 측정할 수 있고 결과를 수리적으로 처리하여 합계, 차이 및 관계를 구할 수 있습니다.

- 흡광도 측정: 시료에 의해 흡수된 빛의 양을 흡광도 단위로 측정합니다.
- % 투과율은 시료를 통과하고 검출기에 도달하는 원광의 비율을 측정합니다.



표 4 다중 파장 설정 옵션 (계속)

옵션	기술
사용자 프로그램으로 저장	선택한 매개변수를 사용자 프로그램으로 저장하려면 단일 파장 (흡광도, 농도 및 투과율 판독값) , 130 페이지 를 (를) 참조하십시오.
판독 모드	단일 판독 : 판독을 누르면 1 개의 판독값이 표시됩니다. 캐로셀 1 인치 정방향 : 최대 5 개의 정방향 셀을 포함하는 캐로셀 인서트를 측정합니다 (옵션). 캐로셀 1cm 정방향 : 최대 7개의 정방향 셀을 포함하는 캐로셀 인서트를 측정합니다 (옵션).
측정 데이터 호출	저장된 측정 데이터, 파장 스캔 또는 시간 과정을 불러옵니다 (데이터 저장 , 불러오기 , 보내기 및 삭제 , 125 페이지 참조).
기기 설정 모드	측정 기본 데이터(단일 파장(흡광도, 농도 및 투과율 판독값) , 130 페이지 참조).

파장 스캔 모드 - 흡광도 및 전송률 스펙트럼 기록

파장 스캔 모드에서 용액의 흡광도가 정의된 파장 스펙트럼에 대해 측정됩니다.

판독 결과는 곡선, % 투과율 (%T) 또는 흡광도 (Abs) 로 표시할 수 있습니다. 수집된 데이터는 표 또는 곡선으로 인쇄할 수 있습니다.

데이터는 변경 내용의 형식을 지정하는 데 사용할 수 있습니다. 여기에는 자동 배율 및 확대/축소 기능이 포함됩니다. 최대값과 최소값이 결정되어 표 형태로 표시됩니다.

흡광도 또는 투과율 값과 파장을 판독할 목적으로 커서를 곡선 위의 지점으로 이동할 수 있습니다. 각 데이터 지점과 연결된 데이터는 표 형태로 표시할 수도 있습니다.

파장 스캔 설정

주 메뉴에서 **파장 스캔**을 누릅니다. 매개변수 설정의 **옵션**을 누릅니다.



표 5 파장 스캔 옵션

옵션	기술
자세히	추가 옵션이 표시됩니다.
폴더 아이콘	스캔 데이터를 저장하려면
참조 해제 / 설정	표시된 저장 스캔 목록에서 참조 스캔 / 보충 스캔으로 사용할 레코드를 선택합니다. 이 스캔은 실제 측정된 스캔과의 구분을 위해 강조 표시하거나 그라운드에 표시할 수 있습니다. 참고 : 이 옵션은 동일 파장 범위 및 단계를 사용하여 저장된 스캔이 있는 경우에만 사용할 수 있습니다.



표 5 파장 스캔 옵션 (계속)

옵션	기술
λ	파장 스펙트럼과 스캔 간격 입력
타이머 아이콘	스톱워치 기능을 합니다. 분석 단계의 시간을 정확하게 유지해줍니다 (예를 들어 반응 시간, 대기 시간 등을 정확히 지정할 수 있습니다). 지정한 시간이 경과하면 신호음이 나옵니다. 타이머 사용은 판독 프로그램에 영향을 미치지 않습니다.
표 / 그래프 보기	표 형식 스캔 데이터(파장/흡광도) 표시와 곡선의 그래픽 표시 간 전환이 가능해집니다. 참고: 첫 번째 측정 후 "테이블 보기"가 활성화됩니다.
커서 모드	추적 또는 최고 / 최저를 선택하려면 이 메뉴 옵션을 선택하면 그래프 상에서 커서가 이동할 지점이 결정됩니다.
데이터 보내기	데이터를 프린터, 컴퓨터 또는 USB 메모리 스틱(유형 A)으로 보내려면
적분: 설정 / 해제	적분은 영역을 제공하며 적분의 도함수는 원래 기능을 제공합니다.
배율 및 단위	배율: 자동 배율 모드에서는 전체 스캔이 표시되도록 y 축이 자동으로 조정됩니다. 수동 배율 모드 에서는 스캔 섹션을 표시할 수 있습니다. 단위: 흡광도 또는 투과율 선택

표 5 파장 스캔 옵션 (계속)

옵션	기술
단일 판독	단일 판독: 판독을 누르면 1 개의 측정 결과가 표시됩니다. 캐로셀 1 인치 정방향: 최대 5 개의 정방향 셀을 포함하는 캐로셀 인서트를 측정합니다 (옵션). 캐로셀 1cm 정방향: 최대 7개의 정방향 셀을 포함하는 캐로셀 인서트를 측정합니다 (옵션).
측정 데이터 호출	저장된 측정 데이터, 파장 스캔 또는 시간 과정을 불러옵니다 (데이터 저장, 불러오기, 보내기 및 삭제, 125 페이지 참조).
기기 설정 모드	측정 기본 데이터 (데이터 저장, 불러오기, 보내기 및 삭제, 125 페이지 참조).

파장 스캔 실행

모든 스캔 매개변수를 선택한 후 기준선 (초기 영점 조정 판독값) 을 기록합니다 . 스캔 매개변수를 변경하면 새로운 기준선을 기록해야 합니다 . 기준 스캔 후 기기는 시료 스캔 준비 상태가 됩니다 .



1. 주 메뉴에서 파장 스캔 메뉴 옵션을 선택합니다 .
2. 영점 조정 셀을 셀 구역에 삽입하고 셀 구역 덮개를 닫습니다 .



3. 영점 조정을 누릅니다 .
기존선 스캔이 시작되면 그래프 아래에 " 영점 조정 " 이 표시됩니다 .
4. 준비된 분석 셀을 셀 구역에 삽입하고 셀 구역 덮개를 닫습니다 .

5. 판독을 누릅니다 .

그래프 아래에 "판독 중 ..."이라는 메시지가 나타나고 스캔된 파장에 대해 흡광도 또는 투과율 값의 그래프가 연속적으로 표시됩니다 .



다음과 같은 경우 파장 스캔이 완료됩니다 .

- 그래프가 전체 크기로 표시되는 경우
- x 축 배율이 자동으로 맞춰진 경우
- 세로 탐색 모음의 커서 기능이 강조 표시된 경우
- 신호음이 울리는 경우
- 스캔을 저장하려면 **읍선 > 저장 기호**를 누릅니다 .

흡광도 / 투과율의 시간 과정

시간 과정 모드는 사용자 지정 시간 길이에 대한 흡광도 또는 투과율의 데이터를 수집하는 데 사용됩니다. 이 데이터는 그래프 또는 표로 표시할 수 있습니다.

시간 과정 설정 매개변수

1. 주 메뉴에서 **시간 과정** 모드를 누릅니다.
2. **옵션**을 눌러 매개변수를 구성합니다.



표 6 시간 과정 옵션 (계속)

옵션	기술
배율 및 단위	배율 : 자동 배율 모드에서는 전체 스캔이 표시되도록 y 축이 자동으로 조정됩니다. 수동 배율 모드에서는 스캔 섹션을 표시할 수 있습니다. 단위 : 흡광도 또는 투과율 선택
데이터 보내기	데이터를 프린터, 컴퓨터 또는 USB 메모리 스틱(유형 A)으로 보내려면
판독 모드	단일 판독 : 판독을 누르면 1 개의 측정 결과가 표시됩니다. 캐로셀 1 인치 정방향 : 최대 5 개의 정방향 셀을 포함하는 캐로셀 인서트를 측정합니다 (옵션). 캐로셀 1cm 정방향 : 최대 7개의 정방향 셀을 포함하는 캐로셀 인서트를 측정합니다 (옵션).
측정 데이터 호출	저장된 측정 데이터, 파장 스캔 또는 시간 과정을 불러옵니다 (데이터 저장 , 불러오기 , 보내기 및 삭제 , 125 페이지 참조).
기기 설정	기기의 기본 데이터.



표 6 시간 과정 옵션

옵션	기술
자세히	추가 옵션
폴더 아이콘	스캔 데이터를 저장하려면
시간 및 간격	데이터 수집의 전체 시간 및 데이터 수집 지점 간 시간 간격 입력
λ	파장 설정 입력
표 보기	흡광도, 투과율 또는 농도의 판독값을 표시합니다. 이 옵션은 시료 데이터 수집 후 변경할 수 있습니다.
타이머 아이콘	스톱워치 기능을 합니다. 분석 단계의 시간을 정확하게 유지해줍니다 (예를 들어 반응 시간, 대기 시간 등을 정확히 지정할 수 있습니다). 지정한 시간이 경과하면 신호음이 나옵니다. 타이머 사용은 판독 프로그램에 영향을 미치지 않습니다.

유지관리

⚠ 주의

잠재적인 화학적, 생물학적 눈 및 피부 위험
이 장에서 설명하는 작업은 숙련된 담당자만 수행할 수 있습니다.

주의사항

기기에 남아 있는 셀을 모두 제거합니다. 셀 또는 해당 내용물을 승인된 방법으로 폐기합니다.

램프 교체

⚠ 위험

전기 충격 위험
램프 교체 절차를 시작하기 전에 절차가 완료될 때까지 기기에서 전원을 분리해 두십시오.

⚠ 주의

화상 위험.
램프가 냉각될 때까지 기다립니다. 뜨거운 램프를 만지면 화상을 입을 수 있습니다.

주의사항

램프는 램프 홀더 부분만 잡으십시오. 피부 표면의 이물질이 램프 전구에 찍히면 램프의 수명이 단축될 수 있으므로 유리를 만지지 않도록 주의하십시오.

문제 해결

표시된 오류	원인	해결방법
테스트 실행 오류		
바코드 레이블을 판독하지 못했습니다.	바코드 오류	셀을 다시 삽입하십시오. 바코드가 인식되지 않는 경우에는 기술 지원부에 문의하십시오.
덮개를 닫으십시오.		덮개를 닫으십시오.
흡광도 > 3.5I	측정한 흡광도 값이 3.5를 초과합니다.	시료를 희석시켜서 다시 측정하십시오.
오류 바코드 번호를 확인하셨습니까? 프로그램 데이터를 업데이트하십시오!	저장된 데이터의 편차	프로그램 데이터를 업데이트하십시오.
전체 시스템 검사를 수행하는 것이 좋습니다.	공기 값을 검사하지 못했습니다.	기기의 스위치를 껐다가 다시 켜십시오. 시스템 검사가 실패하는 경우 기술 지원부에 문의하십시오.
블랭크 값을 보정할 수 없습니다!	LCW919 에서 블랭크 값을 보정할 수 없습니다.	
오류 프로그램에 액세스할 수 없습니다. 프로그램 데이터를 업데이트하십시오!	바코드 테스트가 없습니다.	프로그램 데이터를 업데이트하십시오.
오류 큐벳을 청소하십시오!	큐벳이 더럽거나 분해되지 않는 입자가 남아 있습니다.	큐벳을 세척하여 입자를 가라앉히십시오.

포시된 오류	원인	해결방법
오류 테스트 프로그램이 중단되었습니다! 램프를 확인하십시오. 덮개를 닫으십시오. 오류 [xx]	기기를 시작할 때 테스트 프로그램이 중단됩니다.	램프를 확인하고 필요하면 교체하십시오. 덮개를 닫으십시오. 다시 시작을 누르십시오.
오류 테스트 프로그램이 중단되었습니다! 큐벳을 제거하십시오. 덮개를 닫으십시오.	기기를 시작할 때 테스트 프로그램이 중단됩니다.	셀 구획에서 큐벳 / 시료 셀을 제거하십시오. 확인을 누릅니다.
오류 자가 테스트가 중지되었습니다. 하드웨어 오류입니다. 오류 [x]	전자 결합	기술 지원부에 연락하여 오류 번호를 제공하십시오.
오류 주변이 너무 밝습니다! 기기를 그늘로 옮기거나 덮개를 닫으십시오.	주변의 너무 강한 빛이 기기 센서에 감지됩니다.	주변의 빛을 줄이십시오. (직사광선 피함) 덮개를 닫으십시오.
이 프로그램에 대한 도움말 기능을 사용할 수 없습니다.		
수명을 초과했습니다! 화학 물질용 사용하겠습니까?		분석에 오류가 있을 수 있습니다. 새로운 화학 물질을 사용하십시오.
평가 없음!	테스트 데이터베이스 / 사용자 데이터베이스 오류	프로그래밍을 확인하거나 기술 지원부에 문의하십시오
바코드가 없습니다!	바코드가 없습니다.	셀을 다시 삽입하십시오. 바코드가 인식되지 않는 경우에는 기술 지원부에 문의하십시오.

포시된 오류	원인	해결방법
입력이 잘못되었습니다!	암호가 올바르게 아닙니다.	암호를 잊으셨습니까? 기술 지원부에 문의하십시오.
이 매개변수에 유효한 데이터가 없습니다!	데이터 분석이 불가능하고 측정 데이터가 없습니다.	선택을 변경하십시오.
유효한 데이터가 없습니다!	데이터 로그에서 데이터를 볼 수 없습니다.	선택을 변경하십시오.
도움말 기능이 없습니다.		
측정 데이터가 없습니다!	측정 데이터 없이 데이터 분석 설정을 구성할 수 없습니다.	선택을 변경하십시오.
제어 범위에 도달하지 않았습니다!	데이터 분석 제한에 도달하지 않았습니다.	경고문입니다. 설정된 제어 제한에 도달하지 않았습니다.
제어 범위를 초과했습니다!	데이터 분석 제한을 초과했습니다.	경고문입니다. 제어 제한을 초과했습니다.
농도가 너무 높음!	계산한 농도 값이 999999 보다 큼니다.	시료를 희석시켜서 다시 측정하십시오.
측정 범위 초과	측정한 흡광도 값이 테스트 교정 범위를 초과했습니다.	시료를 희석시켜서 다시 측정하십시오.
측정 범위 미만	측정한 분광도 값이 테스트 교정 범위 미만입니다.	가능하면 낮은 판독 범위의 테스트를 선택하거나 경로 길이가 더 긴 큐벳을 사용하십시오.
가능한 간섭 원인:	간섭 검사	간섭으로 인해 분석에 오류가 발생할 수 있습니다.
가능한 간섭 출처:	간섭 검사	간섭으로 인해 분석에 오류가 발생할 수 있습니다.
다음 서비스 기간입니다!		기술 지원부에 기기 검사를 문의하십시오.

표시된 오류	원인	해결방법
결과 값이 음수입니다!	계산된 결과가 음수입니다.	샘플 농도를 검사합니다.
조명이 불안정합니다.		직사광선이 없는 곳에서 측정하십시오.
시스템 검사가 잘못되었습니다!	공기 값을 측정하지 못했습니다.	기기의 스위치를 꺾다가 다시 켜십시오. 시스템 검사가 실패하는 경우 기술 지원부에 문의하십시오.
온도가 너무 높습니다. 측정이 불가능합니다!		기기의 스위치를 꺼서 몇 분 동안 식힙니다. 필요한 경우 서늘한 장소로 이동하십시오.
업데이트 오류		
기기 데이터를 업로드하는 동안 오류가 발생했습니다.		절차를 다시 시작하거나 기술 지원부에 문의하십시오.
USB 메모리를 읽는 동안 오류가 발생했습니다.		절차를 다시 시작하거나 기술 지원부에 문의하십시오.
USB 메모리에 쓰는 동안 오류가 발생했습니다.		절차를 다시 시작하거나 기술 지원부에 문의하십시오.
현재 업데이트 파일을 검사하십시오.	업데이트하는 동안 오류가 발생했습니다.	USB 메모리를 확인하십시오.
고객 서비스 센터에 문의하십시오.	업데이트하는 동안 오류가 발생했습니다.	
USB 메모리를 삽입하십시오.		USB 메모리를 기기의 USB A 포트에 삽입합니다.
기기 업데이트용 파일이 없습니다.	업데이트하는 동안 오류가 발생했습니다.	USB 메모리를 확인하십시오.

표시된 오류	원인	해결방법
기기 업데이트용 파일이 잘못되었습니다.	업데이트하는 동안 오류가 발생했습니다.	업데이트 파일을 다시 저장한 후 절차를 반복합니다.
USB 메모리에서 복사하는 동안 오류가 발생했습니다.	업데이트하는 동안 오류가 발생했습니다.	절차를 다시 시작하거나 기술 지원부에 문의하십시오.
기기 백업이 없습니다!		USB 메모리를 확인하십시오.
업데이트를 위한 메모리가 충분하지 않습니다.	업데이트하는 동안 오류가 발생했습니다.	더 많은 공간이 있는 메모리를 선택하십시오.
업데이트 파일에 오류가 있습니다.	업데이트하는 동안 오류가 발생했습니다.	업데이트 파일을 다시 저장한 후 절차를 반복합니다.
USB 메모리가 연결되어 있지 않습니다.	업데이트가 불가능합니다.	USB 메모리를 확인하십시오.
네트워크 연결 오류		
네트워크 구성을 검사하십시오.		
연결을 검사하십시오.		
연결을 검사하고 관리자에게 문의하십시오.	네트워크 설정 또는 FTP 오류	
현지 IP 주소를 호출하는 동안 오류가 발생했습니다.	네트워크 설정: DHCP 클라이언트에 DHCP 서버에 대한 연결이 없습니다.	IP 주소를 다시 입력하십시오.
기본 게이트웨이 설정 중 오류가 발생했습니다.	네트워크 설정: 고정 IP 주소에 기본 게이트웨이를 설정할 수 없습니다.	다시 연결해 보십시오.

표시된 오류	원인	해결방법
네트워크 드라이브 설정 중 오류가 발생했습니다!	네트워크 설정 중 오류가 발생했습니다. 대상 디렉터리가 없습니다.	설정을 확인하십시오. 대상 디렉터를 지정하십시오.
서브넷 마스크 설정 중 오류가 발생했습니다.	네트워크 설정 : 고정 IP 주소에 서브넷 마스크를 설정할 수 없습니다.	서브넷 마스크를 다시 입력하십시오.
FTP 연결 중 오류가 발생했습니다.	FTP 오류	기기가 네트워크에 연결되어 있는지 확인하십시오.
네트워크 스위치를 끄십시오.	사이드바를 사용하여 바이퍼 홈페이지에 액세스할 때 네트워크 설정을 끕니다.	온라인 연결을 활성화하십시오.
원격 서버에 도달할 수 없습니다.	네트워크 설정 중 오류가 발생했습니다.	기기가 네트워크에 연결되어 있는지 확인하십시오. DR 6000 의 고정 주소가 수락되지 않습니다.
원격 서버를 연결할 수 없습니다!	DR 6000 의 고정 주소가 거부되었습니다. 입력한 서버 이름이 잘못되었습니다.	"자동"으로 전환하십시오. 올바른 서버 이름을 입력하십시오.
웹 서버에 도달할 수 없습니다.	바이퍼 홈페이지에 연결할 수 없습니다.	나중에 다시 연결해 보십시오.

교체용 부품


기술	카탈로그 번호
할로겐 램프	A23778
중수소 램프	A23792
범용 셀 어댑터	LZV902.99.0002 0
전원 코드 EU	YAA080
전원 코드 CH	XLH051
전원 코드 UK	XLH057
전원 코드 US	1801000
전원 케이블 중국 / 오스트레일리아	XLH069
휴즈	A23772
필터 패드	LZV915
먼지 덮개	LZV886
USB 인터페이스 보호	LZV881

Dados técnicos

Alterações reservadas!

Especificações de desempenho	
Modo de operação	Transmitância (%), Absorbância e Concentração
Fonte de luz	Lâmpada de deutério (UV) e lâmpada de halogénio (VIS)
Faixa de Comprimento Onda	190–1100 nm
Precisão do comp. de onda	± 1 nm (intervalo do comprimento de onda: 200–900 nm)
Capacidade de reprodução do comprimento de onda	< 0,1 nm
Resolução do comprimento de onda	0,1 nm
Calibração do comprimento de onda	Automático
Seleção do comprimento de onda	Automático, baseado na seleção de método
Velocidade de leitura	900 nm/min (em etapas de 1 nm)
Largura de banda espectral	2 nm (1,5–2,9 nm em 656 nm, 1 nm para a linha D2)
Faixa de medição fotométrica	± 3 Abs (intervalo do comprimento de onda: 200–900 nm)
Precisão fotométrica	5 mAbs em 0,0–0,5 Abs < 1% em 0,50–2,0 Abs em 546 nm
Linearidade fotométrica	< 0,5% para 2 Abs ≤ 1% a > 2 Abs com vidro neutro a 546nm

Especificações de desempenho	
Luz espúria	Solução KI em 220 nm < 3,3 Abs / < 0,05%
Deriva fotométrica em relação à leitura em branco (linha de base de 30 min estável)	190–199 nm +/- 0,0100 Abs 200–349 nm +/- 0,0054 Abs 350–899 nm +/- 0,0034 Abs 900–1100 nm +/- 0,0100 Abs
Estabilidade a longo prazo	Ponto zero em 546 nm por 10 horas ≤ 0,0034 Abs
Registro de dados	5000 valores de medição (resultado, data, hora, ID da amostra, ID do usuário) 50 verificações, 50 verificações de hora
Programas do usuário	200
Especificações físicas e ambientais	
Largura	500 mm (19,69pol)
Altura	215 mm (8,46pol)
Profundidade	460 mm (18,11pol)
Peso	11 kg (24,25 lb)
Requisitos ambientais de operação	10–40 °C (50–104 °F), máximo de 80% de umidade relativa (sem formação de condensação)
Requisitos ambientais de armazenamento	–25–60 °C (–13–140 °F), máximo de 80% de umidade relativa (sem formação de condensação)
Dados técnicos adicionais	
Conexão da alimentação	100–240 V/50–60 Hz
Consumo de energia	150 VA
Fusível	T 2A H; 250 V (2 unidades)

Especificações de desempenho	
Interfaces	Use apenas cabo blindado com extensão máxima de 3 m: 2x USB tipo A 1x USB tipo B Use apenas o cabo blindado (por exemplo STP, FTP, S/FTP) com o comprimento máximo de 20 m: 1x Ethernet
Classificação de gabinete	IP20 com tampa de compartimento de célula fechada
Classe de proteção	Classe I
	Este produto foi testado de acordo com os requisitos de CAN/CSA-C22.2 No. 61010-1, segunda edição, incluindo a Emenda 1 ou uma versão posterior do mesmo padrão incorporando o mesmo nível de requisitos de teste.
Grau de poluição	2
Categoria de instalação	II
Altitude máxima	2000 m (6560 pés)

Informações gerais

Observações sobre segurança

Leia todo o manual do usuário atentamente antes de desembalar, configurar ou operar o dispositivo. Observe todas as informações de perigo e aviso. A não observação dessas informações pode causar ferimentos graves no operador ou danificar o dispositivo.

Para garantir que a proteção oferecida por este instrumento não seja prejudicada, não utilize nem instale o instrumento de nenhuma forma diferente da especificada nestas instruções de operação.

PERIGO

Indica uma situação potencial ou eminentemente perigosa que, se não for evitada, pode resultar em morte ou lesão grave.

ADVERTÊNCIA

Indica uma situação de perigo potencial ou iminente que, se não for evitada, poderá levar a óbitos ou ferimentos graves.

CUIDADO

Indica uma situação potencialmente perigosa que pode resultar em lesões leves ou moderadas.

ADVERTÊNCIA




Indica uma situação que, se não for evitada, poderá resultar em danos ao dispositivo. Informações que devem ser particularmente.

Informações que exigem atenção especial.

Observação: *Informações que complementam os aspectos do texto principal.*

Etiquetas de aviso

Observe todas as marcas e etiquetas coladas no dispositivo. A não observação pode causar ferimentos pessoais ou danos no dispositivo. Para os símbolos associados ao dispositivo, notas de aviso correspondentes são encontradas no manual do usuário.

	Este símbolo pode ser associado ao dispositivo e referencia as notas de operação e/ou segurança no manual do usuário.
	Este símbolo no dispositivo é uma indicação de superfícies quentes.
	<p>Desde 12 de agosto de 2005, em toda a Europa, o equipamento elétrico marcado com este símbolo não poderá mais ser descartado em lixo doméstico não classificado ou dejetado industrial. De acordo com dispositivos válidos (Diretiva da UE 2002/96/EC), a partir desse ponto, os consumidores na UE deverão devolver dispositivos elétricos antigos aos fabricantes para descarte. Esse é um serviço gratuito para o consumidor.</p> <p>Observação: <i>Entre em contato com o fabricante ou fornecedor para descobrir como devolver dispositivos gastos, acessórios elétricos fornecidos pelo fabricante e todos os artigos auxiliares para o descarte correto ou reciclagem.</i></p>

⚠️ ADVERTÊNCIA

O fabricante não é responsável por quaisquer danos devido ao uso ou aplicação incorreta deste produto, incluindo, sem limitação, danos diretos, acidentais ou consequenciais, e se isenta desses danos à extensão total permitida pela lei aplicável.

O usuário é unicamente responsável por identificar riscos críticos de aplicação e por instalar os mecanismos apropriados para proteger os processos durante um possível mau funcionamento do equipamento.

Segurança em relação a fontes de luz

As fontes de luz são operadas em temperaturas altas.

Para evitar o risco de eletrocução, verifique se o instrumento está desconectado da fonte de energia antes de trocar as lâmpadas.

⚠️ CUIDADO

Risco à saúde causado pelo ozônio.

Níveis perigosos de ozônio podem ser gerados quando a lâmpada UV não está fria.

⚠️ ADVERTÊNCIA

Risco à saúde causado pela luz UV.

A luz UV pode causar danos aos olhos e à pele. Proteja os olhos e a pele da exposição direta da luz UV.

Não olhe diretamente para uma luz energizada sem óculos de segurança UV.

⚠️ CUIDADO

Risco de queimadura: espere a lâmpada esfriar por pelo menos 30 minutos antes de tocá-la ou substituí-la.

Módulo RFID (não disponível em todos os modelos)

A tecnologia RFID é um aplicativo de rádio. Os aplicativos de rádio estão sujeitos às condições nacionais de autorização. O uso do DR 6000 (modelo com módulo RFID) é atualmente permitido nos seguintes países: EU, CH, NO, HR, RS, MK, TR, CY, US, CA, AU, NZ. Destacamos que o uso do DR 6000 (modelo com módulo RFID) fora das regiões indicadas pode contrariar a legislação nacional. O fabricante reserva-se o direito também de obter autorização em outros países. Em caso de dúvidas sobre o uso na sua área, entre em contato com o distribuidor.

O DR 6000 contém um módulo RFID para a recepção e a transmissão de informações e dados. O módulo RFID opera com uma frequência de 13,56 MHz.

ADVERTÊNCIA

O espectrofotômetro não pode ser usado em ambientes perigosos.
O fabricante e seus funcionários rejeitam qualquer garantia expressa ou indireta para uso com atividades de alto risco.

Siga as informações de segurança apresentadas na seqüência, além de todas as diretrizes locais em vigor.

Informações de segurança para o uso correto do instrumento:

- Não opere o instrumento em hospitais ou estabelecimentos semelhantes que estejam perto de equipamentos médicos, como marca-passos ou aparelhos de auxílio à audição.
- Não opere o instrumento perto de substâncias inflamáveis, como combustíveis, produtos químicos altamente inflamáveis e explosivos.
- Não opere o dispositivo perto de gases combustíveis, vapores ou poeira.
- Não cause vibrações ou golpes ao instrumento.
- O instrumento pode causar interferência a televisores, rádios e computadores que estejam muito perto.
- Não abra o instrumento.
- A garantia será anulada se o instrumento não for usado de acordo com as diretrizes presentes neste documento.

Segurança química e biológica

PERIGO

Perigo potencial de contato com substâncias químicas/biológicas.
O trabalho com amostras químicas, padrões e reagentes pode ser perigoso. Familiarize-se com os procedimentos de segurança necessários e a manipulação correta dos produtos químicos antes de usá-los e leia e siga todas as planilhas de dados de segurança relevantes.

A operação normal do dispositivo pode requerer o uso de produtos químicos ou amostras biologicamente inseguros.

- Observe todas as informações de cautela impressas nos recipientes da solução original e as planilhas de dados de segurança antes de seu uso.
- Descarte todas as soluções consumidas de acordo com os regulamentos e as leis locais e nacionais.
- Selecione o tipo de equipamento de proteção adequado à concentração e à quantidade de material perigoso utilizada.

Visão geral do produto

O DR 6000 é um espectrofotômetro UV-VIS com um intervalo de comprimento de onda de 190 a 1100 nm. O espectro visível (320 a 1100 nm) é coberto por uma lâmpada de halogênio e uma lâmpada de deutério que produz a luz no espectro ultravioleta (190 a 360 nm).

O instrumento é fornecido com um intervalo completo de programas de aplicativos e oferece suporte a vários idiomas.

O espectrofotômetro DR 6000 contém os seguintes programas e modos operacionais:

- Programas armazenados (testes pré-instalados)
- Programas de código de barras
- Programas do Usuário
- Favoritos
- Compr. Onda Único

- Compr. Onda Múltiplo
- Varred. Compr. Onda
- Intervalo de tempo

O espectrofotômetro DR 6000 fornece leituras digitais da concentração, absorção e percentual de transmissão.

Quando se escolhe um método gerado pelo usuário ou programado, os menus e as solicitações servem para direcionar o usuário para o teste.

Este sistema de menus também pode produzir relatórios, avaliações estatísticas das curvas de calibração em geral e relatórios sobre verificações de diagnóstico de instrumento.

Instalação

ADVERTÊNCIA

Riscos elétricos e risco de incêndio.

Use somente o cabo de alimentação fornecido.

Apenas especialistas qualificados podem executar as tarefas descritas nesta seção do manual, seguindo todas as normas de segurança válidas localmente.

ADVERTÊNCIA

Os cabos de alimentação removíveis não devem ser substituídos por cabos de alimentação com a dimensão inadequada.

Como tirar o instrumento da embalagem

O pacote do espectrofotômetro DR 6000 é fornecido com os seguintes itens:

- Espectrofotômetro DR 6000
- Capa protetora contra pó
- Tampa protetora contra pó USB, instalada por padrão
- Cabo de Alimentação para EUA e UE (quando fornecido para a China, cabo de alimentação para CN)
- Adaptador de célula universal

- Tag RFID do operador (não disponível em todos os modelos)
- Células de 1 polegada, par combinado
- Manual do usuário do DR 6000 básico, manual do usuário do LINK2SC

Para obter mais informações, consulte a documentação e os manuais detalhados do usuário disponíveis no site do fabricante.

Observação: *Se qualquer destes itens estiver faltando ou danificado, entre em contato com o fabricante ou representante de vendas imediatamente.*

Ambiente operacional

Observe os pontos a seguir para que o dispositivo funcione sem falhas e, portanto, tenha uma longa vida de serviços.

- Coloque o dispositivo em uma superfície plana de modo seguro. Não force objetos no dispositivo.
- Posicione o dispositivo de modo que o cabo de alimentação não seja danificado.
- A temperatura ambiente deve ser de 10 a 40 °C (50 a 104 °F).

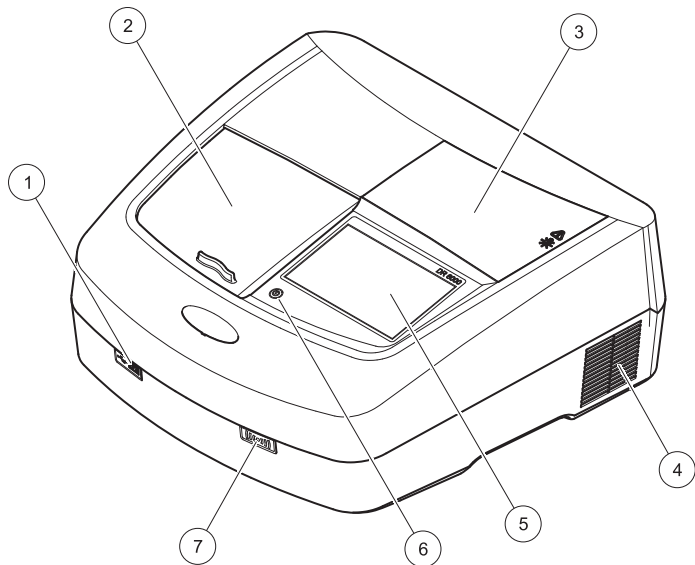
AVISO

Proteja o instrumento contra temperaturas extremas provenientes de aquecedores, luz direta do sol e outras fontes de calor.

- A umidade relativa deve ser menor que 80%; a umidade não deve condensar no instrumento.
- Deixe pelo menos um espaço de 15 cm na parte superior e em todos os lados para circulação do ar para evitar o superaquecimento das partes elétricas.
- Não use, nem armazene o dispositivo em locais extremamente empoeirados, úmidos ou molhados.
- Mantenha a superfície do instrumento, o compartimento de célula e todos os acessórios limpos e secos todo o momento. Remova imediatamente respingos ou materiais derramados sobre o instrumento ou dentro dele (consulte [Manutenção, página 164](#)).

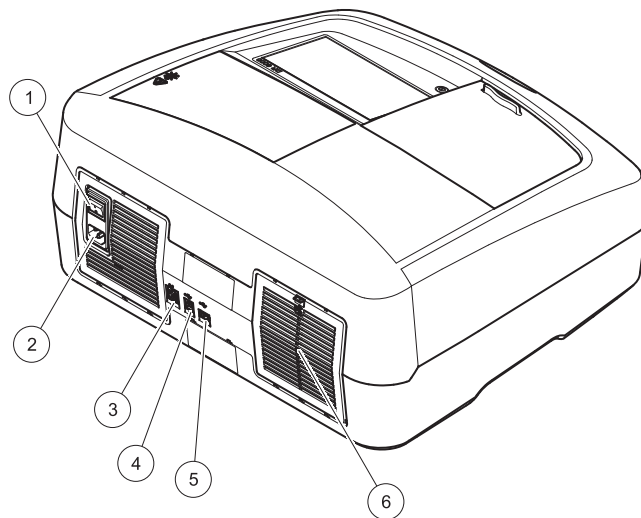
Vista frontal e vista traseira

Figura 1 Vista frontal



1	Porta USB tipo A	5	Tela sensível ao toque
2	Tampa do compartimento de célula	6	Chave de economia de energia
3	Tampa do compartimento de lâmpada	7	Módulo RFID (não disponível em todos os modelos)
4	Tomada do ventilador		

Figura 2 Vista traseira



1	Lig./Des.	4	Porta USB tipo B
2	Soquete para cabo de alimentação	5	Porta USB tipo A
3	Porta Ethernet	6	Tampa da membrana de filtro

Conexões de energia

AVISO

Use somente um soquete aterrado para a conexão deste dispositivo com a fonte de alimentação. Se você não tiver certeza se os soquetes estão aterrados, solicite a um electricista qualificado que verifique isso. O plugue de alimentação atua junto com a fonte de alimentação para isolar o dispositivo rapidamente dessa fonte, quando necessário. Durante a desconexão da fonte de alimentação, é necessário assegurar que o plugue de alimentação correto esteja colocado (por exemplo, etiquetando os soquetes). Isso é recomendável para o armazenamento a longo prazo e pode prevenir perigos potenciais no caso de uma falha. Por isso, verifique se o soquete ao qual o dispositivo está conectado pode ser acessado facilmente pelo usuário o tempo todo.

⚠️ ADVERTÊNCIA

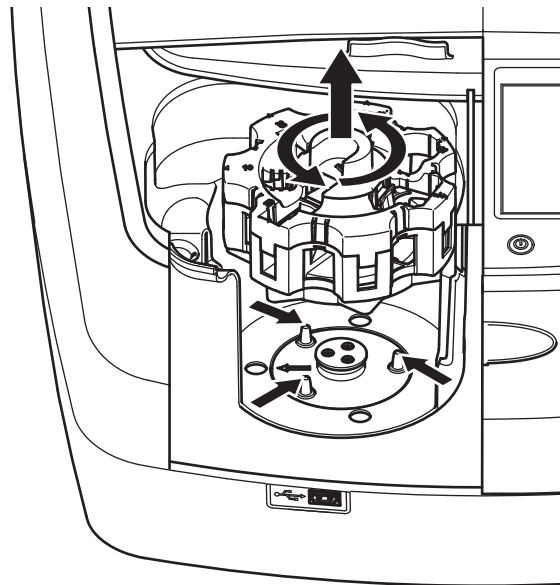
Riscos elétricos e risco de incêndio.
Use somente o cabo de alimentação fornecido.

1. Conecte o cabo de alimentação na parte de trás do instrumento ([Vista traseira, página 146](#)).
2. Insira o plugue do cabo de alimentação em um soquete de alimentação aterrado (100–240 V~ / 50–60 Hz).
3. Alterne o botão de alimentação para "Ligado" para ligar o instrumento ([Vista traseira, página 146](#)).

Como posicionar o adaptador de célula universal

1. Abra o compartimento da célula.
2. Eleve o adaptador de célula universal em aproximadamente 1cm.
3. Gire o adaptador de célula universal, de modo que a guia do perfil de célula fique virada para a esquerda do compartimento de célula (1).
4. Pressione o adaptador de célula universal para baixo até ele encaixar.

Figura 3 Como posicionar o adaptador de célula universal



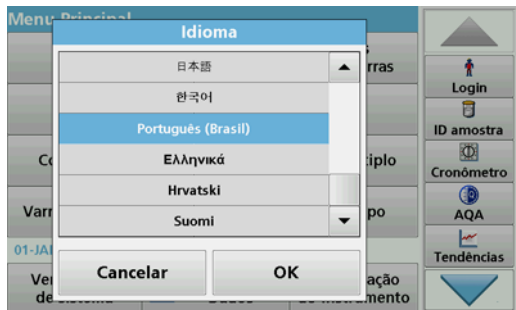
Inicialização

Ativação, processo de inicialização

1. Conecte o cabo de alimentação a uma tomada.
2. Ligue o instrumento com o interruptor de energia na parte de trás.
3. O dispositivo inicia automaticamente um processo de inicialização de aproximadamente 45 segundos. O visor mostra o logotipo do fabricante. No final do processo de inicialização, um som de inicialização é ouvido.

Observação: *Aguarde aproximadamente 20 segundos antes de ativar novamente para não danificar os componentes eletrônicos e mecânicos do instrumento.*

Seleção de idioma



O software do DR 6000 inclui várias opções de idioma. Quando o instrumento é ativado pela primeira vez, a tela de seleção de idioma será mostrada automaticamente após o processo de inicialização.

1. Selecione o idioma necessário.
2. Pressione **OK** para confirmar a seleção de idioma. A autoverificação será iniciada automaticamente.

Alterar as configurações de idioma

O dispositivo funciona no idioma selecionado até essa opção ser alterada.

1. Ligue o instrumento.
2. Durante o processo de inicialização, toque no display em qualquer ponto até (aproximadamente 45 segundos) a lista para a seleção de um idioma ser mostrada.
3. Selecione o idioma necessário.
4. Pressione **OK** para confirmar a seleção de idioma. A autoverificação será iniciada automaticamente.

Autoverificação



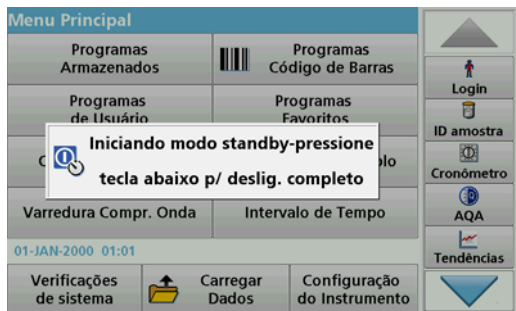
Sempre que o instrumento for ligado, um programa de teste será iniciado.

O procedimento, que demora aproximadamente dois minutos, verifica o sistema, lâmpada, ajuste do filtro, calibração do comprimento de onda e voltagem. Cada função verificada é devidamente marcada no display.

O Menu Principal é exibido quando o diagnóstico é concluído.

Observação: *Em caso de mensagens de erro adicionais durante o programa de teste, consulte [Resolução de problemas, página 164](#).*

Modo standby



O instrumento pode ser colocado no modo standby.

1. Pressione a tecla de economia de energia sob o display.
A mensagem "Modo standby" é exibida. O visor será desligado automaticamente.
2. Pressione a tecla de economia de energia novamente para ligar outra vez.
A autoverificação será iniciada automaticamente.
Após isso, o instrumento estará pronto para uso.

Desligue o instrumento

1. Pressione o interruptor de energia na parte de trás do instrumento.

Programas padrão

Visão geral

Dicas sobre o uso da tela sensível ao toque

Todo o display reage ao toque. Faça seleções tocando com a unha, a ponta do dedo, a borracha ou a caneta. Não toque no display com objetos pontiagudos (por exemplo, a ponta de uma caneta esferográfica).

- Não coloque qualquer coisa em cima da tela, para evitar danos ou arranhões.
- Pressione botões, palavras ou ícones para seleccioná-los.
- Use barras de rolagem para mover para baixo e para cima por uma lista longa rapidamente. Pressione e segure a barra de rolagem, então mova para cima ou para baixo pela lista.
- Selecione um item da lista pressionando uma vez. Quando o item for selecionado com sucesso, ele será exibido como texto revertido (texto com luz sobre fundo escuro).

Use o teclado alfanumérico



A tela é usada para inserir letras, números e símbolos conforme o necessário quando programar o instrumento. Opções indisponíveis estão desabilitadas (em cinza). Os símbolos à esquerda e à direita no display são descritos em [Tabela 1](#).

As designações no teclado central são alteradas de acordo com a função de entrada selecionada. Toque em cada tecla repetidamente até o caractere necessário aparecer no display. Um espaço pode ser inserido usando o sublinhado na tecla **YZ_**.

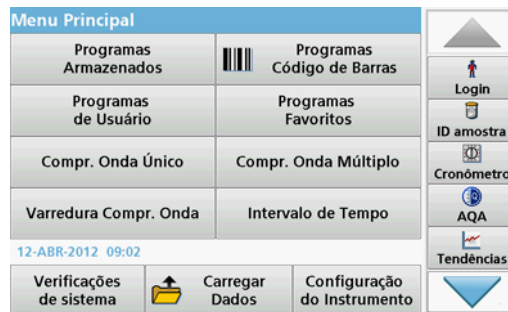
Pressione **Cancelar** para cancelar uma entrada ou **OK** para confirmar uma entrada.

Observação: É também possível usar um teclado USB (com layout de teclado padrão americano) ou um leitor de código de barras USB (consulte [Peças de reposição, página 168](#)).

Tabela 1 Teclado alfanumérico

Ícone / Chave	Descrição	Função
ABC/abc	Alfabetico	Alterna o modo de entrada de caracteres entre letras maiúsculas e minúsculas.
# %	Símbolos	Pontuação, símbolo, sub- e super - scripts numéricos podem ser inseridos.
123	Numérico	Para inserir números comuns
CE	Limpar inserção	Limpar a inserção
Seta da esquerda	Voltar tecla	Exclui o caractere atual e volta uma posição.
Seta da direita	Seguinte	Navega até o próximo espaço em uma entrada.

Menu principal



Uma variedade de modos pode ser selecionada no "Menu Principal". A tabela a seguir descreve rapidamente cada opção do menu.

Você encontrará uma barra de ferramentas à direita no display. Pressione para ativar as várias funções.

Tabela 2 Opções do Menu Principal

Opção	Função
Programas armazenados / Programas de código de barras (programas HACH-LANGE)	Os programas armazenados são métodos pré-programados que usam substâncias químicas HACH e testes de pipeta HACH-LANGE. Os procedimentos de trabalho para testes HACH-LANGE estão incluídos nos pacotes de teste. Para obter mais informações e instruções ilustradas passo a passo sobre como fazer análises usando programas HACH, consulte o site do fabricante.

Tabela 2 Opções do Menu Principal

Opção	Função
Programas do Usuário	Os programas do usuário tornam possível as "análises feitas para medições": <ul style="list-style-type: none"> • Usuários podem programar métodos desenvolvidos para eles • Os procedimentos HACH e HACH-LANGE existentes podem ser armazenados como programas de usuário. Esses procedimentos podem ser modificados de acordo com requisitos separados.
Favoritos	Lista de métodos/testes criados pelo usuário de acordo com seus próprios requerimentos.
Compr. Onda Único	Leituras de comprimento de onda único são: Leituras de absorbância: a luz absorvida pela amostra é medida em unidades de absorbância. Leitura de transmitância (%): mede a porcentagem da luz original que passa pela amostra e chega no detector. Leituras de concentração: um fator de concentração pode ser inserido para permitir que os valores de absorbância sejam convertidos em valores de concentração.
Compr. Onda Múltiplo	No modo Comprimento de Onda Múltiplo, a absorbância (Abs) ou porcentagem de transmitância (%T) é medida em até quatro comprimentos de onda, diferenças de absorbância e relacionamentos de absorbância são calculados. Conversões simples em concentrações também podem ser feitas.
Varred. Compr. Onda	Uma varredura de comprimento de onda mostra como a luz de uma amostra é absorvida em um espectro de comprimento de onda definido. Essa função pode ser usada para determinar o comprimento de onda em que o valor de absorbância máximo pode ser medido. O comportamento de absorbância é exibido graficamente durante a varredura.
Intervalo de tempo	A varredura de tempo registra a absorbância ou a % de transmitância em um comprimento de onda por um tempo definido.

Tabela 2 Opções do Menu Principal

Opção	Função
Verificações do Sistema	O menu "Verificação do sistema" oferece várias opções, incluindo verificações ópticas, verificações de saída, histórico da lâmpada, atualização do instrumento, tempo de serviço, configurações de garantia de qualidade analítica e backup do instrumento.
Carregar dados de medição	Dados armazenados podem ser visualizados, filtrados, enviados e excluídos.
Configuração do Instrumento	Neste modo, configurações específicas de usuário ou de método podem ser inseridas; ID do operador, ID de amostra, data e hora, som, PC e impressora, senha, modo de economia de energia e dados armazenados.

Salvar, carregar, enviar e excluir dados

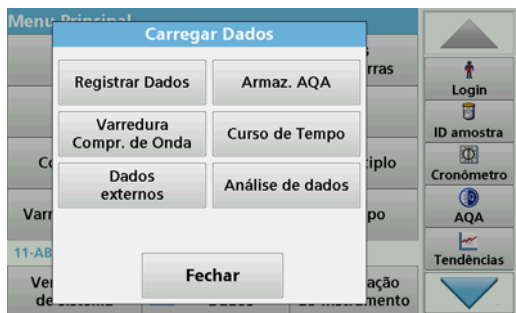
O registro de dados

O log de dados pode armazenar até 5000 leituras salvas pelos seguintes programas:

- Programas armazenados,
- Programas de código de barras,
- Programas de usuário,
- Favoritos,
- Comprimento de onda único e
- Compr. Onda Múltiplo.

Um registro completo da análise é armazenado incluindo data, horário, resultados, ID da amostra e ID do operador.

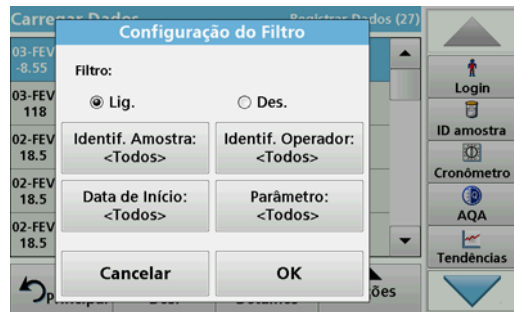
Chamar dados armazenados do registro de dados



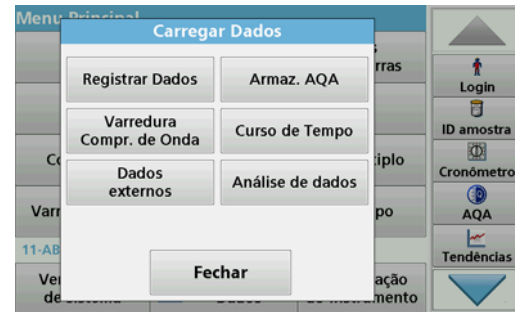
1. Pressione **Carregar Dados** no Menu Principal.



2. Pressione **Registro de Dados**.
Uma lista de dados armazenados é exibida.



3. Pressione **Filtro: Lig./Des.**.
A função **Configurações de Filtro** é usada para pesquisar por itens específicos.
4. Ative **Lig.**. Agora, os dados podem ser filtrados com o uso dos critérios de seleção apresentados na sequência.
 - ID da amostra
 - ID do operador
 - Data de início
 - Parâmetroou qualquer combinação dos quatro.



5. Pressione **OK** para confirmar a seleção.
Os itens escolhidos são listados.

Enviar dados do registro de dados

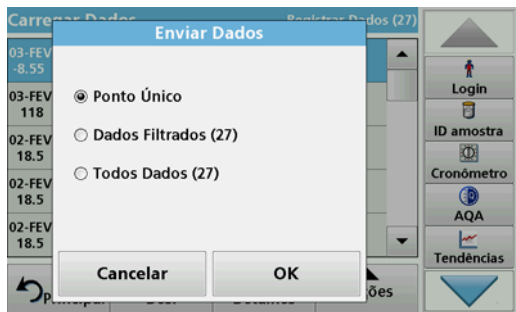
Os dados são enviados do log de dados internos como um arquivo XML (Extensible Markup Language) ou CSV (Comma Separated Value) a um diretório com o nome DataLog em um dispositivo de armazenamento em massa USB ou uma unidade de rede. O arquivo pode então ser processado usando um programa de planilha. O nome do arquivo tem o formato: DLAno-Mês-Dia_Hora_Minuto_Segundo.csv ou DLAno-Mês-Dia_Hora_Minuto_Segundo.xml.

1. Conecte o dispositivo de armazenamento USB na interface USB A no DR6000 ou conecte o DR6000 a uma unidade de rede
2. Pressione **Carregar Dados** no Menu Principal.
3. Selecione a categoria de dados de transferência, por exemplo, **Registrar Dados**.

Uma lista de dados de medição selecionados é exibida.



4. Toque em **Opções** e no símbolo **PC e Impressora**.



5. Selecione os dados a serem enviados. As seguintes opções estão disponíveis:
- **Ponto Único:** apenas a leitura selecionada será enviada
 - **Dados filtrados:** somente leituras correspondentes aos filtros definidos serão enviadas
 - **Todos os dados:** todos os dados na categoria de dados selecionada serão enviados.

6. Pressione **OK** para confirmar.

Observação: O número em parênteses é o número total de grupo de dados designado para esta seleção.

Programas armazenados

Mais de 200 processos pré-programados podem ser recuperados por meio do menu **Programas Armazenados**. **Programas Armazenados** não inclui nenhum teste de código de barras.

Selecione um método/teste salvo; insira dados básicos específicos do usuário

Programas Armazenados		
315	Molybden LR	3.00 mg/L
66	Monokloramin LR	4.50 mg/L
388	N Ammoniak Fri	0.50 mg/L
380	N Ammoniak Nessler	2.50 mg/L
385	N Ammoniak Salic.	0.50 mg/L
361	N Nitrat HR AV	30.0 mg/L
355	N Nitrat HR PP	30.0 mg/L
351	N Nitrat LR	0.50 mg/L
359	N Nitrat MR AV	10.0 mg/L
353	N Nitrat MR PP	10.0 mg/L

Menu Principal	Selecione por Número	Opções de Programa	Iniciar
----------------	----------------------	--------------------	---------

1. Pressione **Programas Armazenados** no Menu Principal para visualizar uma lista alfabética de programas armazenados com números de programa.
A lista "Programas Armazenados" será exibida.
2. Selecione o teste exigido.
Observação: Selecione o programa por nome ou role a lista usando as teclas de seta. Selecione o programa ou pressione **Selecionar por Número** para pesquisar um número de programa específico. Pressione **OK** para confirmar.
3. Pressione **Iniciar** para executar o programa. A respectiva janela de medição é exibida.
Observação: Todos os dados correspondentes (comprimento de onda, fatores e constantes) já são predefinidos.

4. Siga as instruções de procedimento químico. Mais informações estão disponíveis no site do fabricante.

Observação: Para exibir as instruções de procedimento no visor, pressione o ícone de informações. Essa opção não está disponível para todos os testes.

Análise de amostras



1. Pressione **Programas Armazenados** e selecione um programa.

Observação: Se disponível, a instrução de procedimento será indicada no display por meio do ícone Informações.

2. Insira a célula de solução zero no compartimento de célula.
3. Pressione **ZERO**.



4. Remova a célula de solução zero do compartimento de célula. Insira a célula de amostra no compartimento de célula.
5. Pressione **Ler**. O resultado será exibido.

Observação: Para definir uma diluição de amostra, pressione a tecla **Diluição** na barra de ferramentas.

6. Para armazenamento de dados, consulte [seção O registro de dados, página 151](#).

Programas de código de barras

Um leitor de código de barras especial no compartimento de célula #1 lê automaticamente o código de barras na cubeta/frasco de 13 mm à medida que a cubeta/frasco conclui uma rotação única. O instrumento usa a identificação do código de barras para definir automaticamente o comprimento de onda correto para a análise e calcula o resultado imediatamente com a ajuda de fatores armazenados.

Além disso, as leituras são efetuadas em 10 posições diferentes durante uma rotação. Um programa especial de eliminação de sedimentações é executado, e a média dos valores medidos é calculada. As falhas e/ou contaminações nos tubos são detectadas e, por esse motivo, um resultado muito preciso é determinado.

Executar um teste de código de barras



1. Prepare o teste de código de barras de acordo com a instrução de trabalho e insira a célula no compartimento de célula (1).
 - Quando uma célula codificada é inserida no compartimento de célula (1) ([Como posicionar o adaptador de célula universal, página 147](#)), o programa de medição correspondente é ativado automaticamente no menu principal.



- Caso contrário, selecione no menu principal a opção de menu **Programas de Código de Barra** e insira uma célula zero (dependendo da instrução de trabalho) no compartimento de célula (1).

Observação: Para obter mais informações sobre o Guia de Ajuda (símbolo de "Informações").



A medição é iniciada automaticamente e os resultados são mostrados.

Observação: Para definir uma diluição de amostra, pressione a tecla **Diluição** na barra de ferramentas.

Para avaliar outros testes de célula e outros parâmetros, insira a célula preparada no compartimento de célula e leia o resultado.

Observação: A barra de controle, mostrada à direita no display, exibe o relacionamento do resultado da medição com o intervalo de medição. A barra azul mostra o resultado da leitura, independentemente de qualquer fator de diluição que tenha sido inserido.



Programas expandidos

Comprimento de Onda Único (leituras de absorvância, concentração e transmitância)

O modo de comprimento de onda único pode ser usado de três modos. Para leituras de amostras em um comprimento de onda único, o instrumento pode ser programado para medir absorvância, % transmitância ou concentração da análise.

- Leituras de absorvância: a luz absorvida pela amostra é medida em unidades de absorvância.
- % Transmitância mede a porcentagem da luz original que passa pela amostra e chega no detector.
- Ligar o fator de concentração permite a seleção de um multiplicador específico para conversão das leituras de Absorvância para concentração. Em um gráfico de concentração versus a Absorvância, o fator de concentração é a inclinação da linha.

Configure o modo Comprimento de Onda Único

1. Pressione **Compr. Onda Único** no Menu Principal.
2. Pressione **Opções** para configuração de parâmetro.

Tabela 3 Opções de comprimento de onda único

Opções	Descrição
Mais	Para mais opções
Símbolo de carregamento dos dados de medição	Para carregar varreduras de comprimento de onda, intervalos de tempo ou dados de medição salvos, consulte Salvar, carregar, enviar e excluir dados, página 151 .
% Trans/Abs	Alterna de % de transmissão para concentração ou absorção no modo de leitura.
λ Comprimento de Onda	Para inserir a configuração de comprimento de onda. Use o teclado alfanumérico para inserir os comprimentos de onda de leitura. Um comprimento de onda no intervalo de 190–1100 nm pode ser inserido.
Ícone do temporizador	Funciona como um cronômetro. Ele ajuda a garantir que as etapas de uma análise sejam cronometradas corretamente (por exemplo, tempos de reação, tempos de espera etc. podem ser especificados exatamente). Quando o tempo especificado terminar, um som será emitido. O uso do cronômetro não influencia no programa de leitura.
Fator de Concentração: Desligado/Ligado	O fator de multiplicação para conversão de valores de Absorvância em valores de concentração.
Resolução de concentração	Para selecionar o número de casas decimais
Salvar como programa do usuário	Para armazenar os parâmetros selecionados como Programa do Usuário, consulte Comprimento de Onda Único (leituras de absorvância, concentração e transmitância), página 157 .



Tabela 3 Opções de comprimento de onda único (Continuação)

Opções	Descrição
Modo de Leitura	<p>Leitura Única: um resultado de medição é mostrado depois que o usuário toca em Ler.</p> <p>Leituras Contínuas: após a medição zero, todas as leituras são exibidas automática e continuamente.</p> <p>Carrossel 1 polegada quadrado: medição opcional de inserção de carrossel com até 5 células quadradas.</p> <p>Carrossel 1 cm quadrado: medição opcional de inserção de carrossel com até 7 células quadradas.</p>
Carregar dados de medição	Para carregar varreduras de comprimento de onda, dados de medição ou intervalos de tempo salvos, consulte Salvar, carregar, enviar e excluir dados, página 151 .
Modo Configuração do Instrumento	Dados básicos do instrumento, consulte Salvar, carregar, enviar e excluir dados, página 151 .

Modo Comprimento de Onda Múltiplo – leituras com mais de um comprimento de onda

No modo de comprimento de onda múltiplo, valores de Absorbância podem ser medidos com até quatro comprimentos de onda e os resultados podem ser processados matematicamente para obter a soma, diferenças e relacionamentos.

- Leituras de absorbância: a luz absorvida pela amostra é medida em unidades de absorbância.
- % Transmitância mede a porcentagem da luz original que passa pela amostra e chega no detector.
- Ligar o fator de concentração permite a seleção de um multiplicador específico para conversão das leituras de Absorbância para concentração. A concentração é calculada usando um fator único para cada comprimento de onda, que é inserido pelo usuário.

Definir o modo de leitura em comprimentos de onda diferentes

Pressione **Compr. Onda Múltiplo** no Menu Principal. Pressione **Opções** para configuração de parâmetro.



Tabela 4 Opções de configuração de comprimento de onda múltiplo

Opções	Descrição
Mais	Para mais opções
Símbolo de carregamento de dados de medição	Para carregar varreduras de comprimento de onda, dados de medição ou intervalos de tempo salvos, consulte Salvar, carregar, enviar e excluir dados, página 151 .
% Trans/Abs	Alterna de % de transmissão para concentração ou absorção no modo de leitura.
λ Comprimento de Onda	Para inserir a configuração de comprimento de onda. Use o teclado alfanumérico para inserir os comprimentos de onda de leitura. Um comprimento de onda no intervalo de 190–1100 nm pode ser inserido.
Ícone do temporizador	Funciona como um cronômetro. Ele ajuda a garantir que as etapas de uma análise sejam cronometradas corretamente (por exemplo, tempos de reação, tempos de espera etc. podem ser especificados exatamente). Quando o tempo especificado terminar, um som será emitido. O uso do cronômetro não influencia no programa de leitura.
Fator de concentração	Fator de multiplicação para valores de conversão de Absorbância em valores de concentração.
Resolução de concentração	Para selecionar o número de casas decimais
Fórmula de absorbância	Base de cálculo para avaliação de amostras

Tabela 4 Opções de configuração de comprimento de onda múltiplo (Continuação)

Opções	Descrição
Salvar como programa do usuário	Para armazenar os parâmetros selecionados como Programa do Usuário, consulte Comprimento de Onda Único (leituras de absorbância, concentração e transmitância), página 157 .
Modo de Leitura	Leitura Única: uma leitura única é obtida após o pressionamento de Ler . Carrossel 1 polegada quadrado: medição opcional de inserção de carrossel com até 5 células quadradas. Carrossel 1 cm quadrado: medição opcional de inserção de carrossel com até 7 células quadradas.
Carregar dados de medição	Para recuperar os dados de medição salvos, verificações de comprimentos de ondas ou cursos de tempo, consulte Salvar, carregar, enviar e excluir dados, página 151 .
Modo Configuração do Instrumento	Dados básicos do instrumento, consulte Comprimento de Onda Único (leituras de absorbância, concentração e transmitância), página 157 .

Modo de varredura de comprimento de onda – gravação dos espectros de absorbância e transmitância

No modo de varredura de comprimento de onda, é medida a absorbância da luz em uma solução em um espectro de comprimento de onda definido.

Os resultados da leitura podem ser exibidos como uma curva, como porcentagem de transmitância (%T) ou absorbância (Abs). Os dados coletados podem ser impressos como uma tabela ou uma curva.

Os dados estão disponíveis para alterações de formatação. Essas alterações incluem as funções de escala automática e zoom. Os valores máximo e mínimo são determinados e mostrados como uma tabela.

O cursor pode ser movido para qualquer ponto na curva com a finalidade de leitura do valor de absorbância ou transmitância e do comprimento de onda. Os dados associados a cada ponto de dados podem também ser mostrados como uma tabela.

Configurar a varredura do comprimento de onda

Pressione **Varredura Compr. Onda** no Menu Principal. Pressione **Opções** para configuração de parâmetro.



Tabela 5 Opções durante a varredura de comprimento de onda

Opção	Descrição
Mais	Outras opções exibidas
Ícone de pasta	Para armazenar os dados da varredura
Lig./Des. referência	Na lista exibida de varreduras armazenadas, um registro é selecionado para uso como varredura de referência/ superimposta. Tais informações podem ser realçadas ou mostradas em segundo plano, em comparação com a atual varredura medida. Observação: Esta opção estará disponível somente se houver varreduras armazenadas com o mesmo passo e a mesma faixa de comprimento de onda.
λ	Inserir o espectro do comprimento de onda e o intervalo de verificação
Ícone do temporizador	Funciona como um cronômetro. Ele ajuda a garantir que as etapas de uma análise sejam cronometradas corretamente (por exemplo, tempos de reação, tempos de espera etc. podem ser especificados exatamente). Quando o tempo especificado terminar, um som será emitido. O uso do cronômetro não influencia no programa de leitura.



Tabela 5 Opções durante a varredura de comprimento de onda

Opção	Descrição
Exibir tabela/gráfico	Permite a alternância entre a exibição de dados de verificação tabulares (comprimento de onda/absorção) e a representação gráfica da curva. Observação: A opção "Exibir Tabela" é ativada após a primeira medição.
Modo Cursor	Para selecionar Rastrear ou Pico/Vale . A seleção dessa opção de menu determina para quais pontos no gráfico o cursor se move.
Enviar dados	Para enviar dados a uma impressora, um computador ou um cartão de memória USB (Tipo A)
Integral: Lig./Des.	A opção Integral fornece a área e o derivado do integral fornece a função original
Escala e unidades	Escala: no modo de escala automática, o eixo y é adaptado automaticamente para que a verificação total seja mostrada. O modo de escala manual permite a exibição de seções da varredura. Unidades: Opção de absorbância ou transmitância.

Tabela 5 Opções durante a varredura de comprimento de onda

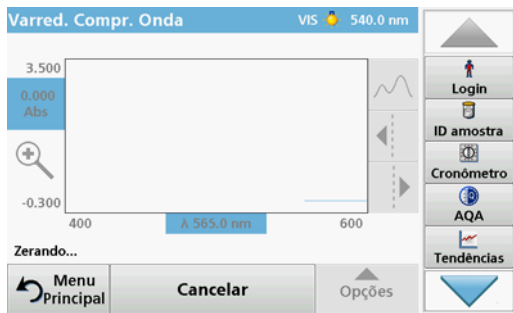
Opção	Descrição
Modo de Leitura	Leitura Única: um resultado de medição é mostrado depois que o usuário toca em Ler . Carrossel 1 polegada quadrado: medição opcional de inserção de carrossel com até 5 células quadradas. Carrossel 1 cm quadrado: medição opcional de inserção de carrossel com até 7 células quadradas.
Carregar dados de medição	Para carregar varreduras de comprimento de onda, dados de medição ou intervalos de tempo salvos, consulte Salvar, carregar, enviar e excluir dados, página 151 .
Modo Configuração do Instrumento	Dados básicos do instrumento, consulte Salvar, carregar, enviar e excluir dados, página 151 .

Executar uma verificação de comprimento de onda

Após a seleção de todos os parâmetros de varredura, grave uma linha de base (leitura de zero inicial). Se um parâmetro de varredura for alterado, uma nova linha de base deverá ser gravada. Após a verificação da linha de base, o dispositivo está pronto para verificar uma ou várias amostras.



1. Selecione a opção **Verificação de Comprimento de Onda** no menu principal.
2. Insira a célula de solução zero no compartimento de célula e feche a tampa do compartimento de célula.

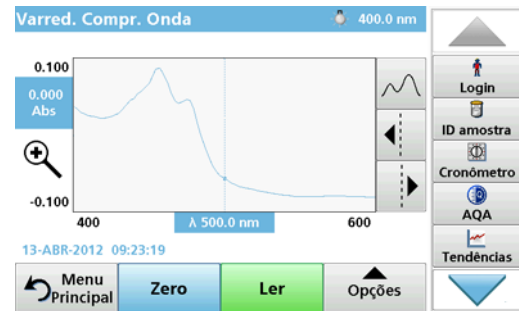


3. Pressionar **ZERO**.

A mensagem "Zerando" é exibida abaixo do gráfico assim que a varredura de linha de base é iniciada.

4. Insira a célula de análise preparada no compartimento de célula e feche a tampa do compartimento de célula.
5. Pressione **LER**.

No gráfico, é exibida a tela "Lendo...", e um gráfico dos valores de absorvância ou transmitância dos comprimentos de onda dos quais foram feitas varreduras é exibido continuamente.



A varredura de comprimento de onda estará completa se

- o gráfico for exibido no tamanho normal,
- a escala do eixo x ocorrer automaticamente,
- as funções de Cursor na barra de navegação vertical estiverem realçadas.
- um som é emitido
- Para salvar a verificação, pressione **Opções > símbolo de Armazenar**.

Intervalo de tempo de absorvância/transmitância

O modo Intervalo de Tempo é usado para coletar dados de absorvância ou transmitância durante um intervalo de tempo especificado pelo usuário. Esses dados podem ser exibidos em um gráfico ou tabela.

Parâmetros de configuração do intervalo de tempo

1. Pressione **Intervalo de Tempo** no Menu Principal.
2. Pressione **Opções** para configurar os parâmetros.



Tabela 6 Opções de intervalo de tempo (Continuação)

Opções	Descrição
Escala e Unidades	Escala: no modo de escala automática, o eixo y é ajustado automaticamente para que a varredura total seja exibida. O modo de escala manual permite a exibição de seções da varredura. Unidades: Opção de absorvância ou transmitância.
Enviar dados	Para enviar Dados para uma Impressora, computador ou cartão de memória USB (Tipo A)
Modo de Leitura	Leitura Única: um resultado de medição é mostrado depois que o usuário toca em Ler . Carrossel 1 polegada quadrado: medição opcional de inserção de carrossel com até 5 células quadradas. Carrossel 1 cm quadrado: medição opcional de inserção de carrossel com até 7 células quadradas.
Carregar dados de medição	Para carregar varreduras de comprimento de onda, dados de medição ou intervalos de tempo salvos, consulte Salvar, carregar, enviar e excluir dados, página 151 .
Configuração de Instrumento	Dados básicos do instrumento

Tabela 6 Opções de intervalo de tempo

Opções	Descrição
Mais	Para mais opções
Ícone de pasta	Para armazenar os dados da varredura
Tempo e intervalo	Para especificar o tempo total de coleta de dados e o intervalo de tempo entre a coleta de pontos de dados
λ	Para inserir a configuração de comprimento de onda
Ver tabela	Para exibir as leituras de absorvância, transmitância ou concentração. Isso pode ser alterado após a coleta dos dados de amostra
Ícone do temporizador	Funciona como um cronômetro. Ele ajuda a garantir que as etapas de uma análise sejam cronometradas corretamente (por exemplo, tempos de reação, tempos de espera etc. podem ser especificados exatamente). Quando o tempo especificado terminar, um som será emitido. O uso do cronômetro não influencia no programa de leitura.

Manutenção

CUIDADO

Perigo químico, biológico em potencial para pele e olhos.
Apenas uma equipe qualificada deve realizar as tarefas descritas nesta seção do manual.

AVISO

Remova todas as células que estejam no instrumento. Descarte as células ou seu conteúdo de um modo que tenha sido autorizado.

Substituição da lâmpada

PERIGO

Risco de choque elétrico
Desconecte o instrumento da fonte de alimentação antes do início do procedimento de troca de lâmpada e até a conclusão desse procedimento.

CUIDADO

Risco de queimadura.
Espere até a lâmpada esfriar. O contato com a lâmpada quente pode causar queimaduras.

AVISO

Segure a lâmpada somente no suporte da lâmpada. Evite tocar no vidro, visto que substâncias presentes na pele podem aderir a ele e diminuir a vida útil da lâmpada.

Resolução de problemas

Erro exibido	Causa	Resolução
Erros de execução de teste		
Código de barras não lido	Código de barras com falha	Reinsira a célula. Se o código de barras não for reconhecido, entre em contato com o suporte técnico.
Feche a tampa.		voltada para o lado direito.
Absorbância > 3,5!	A absorbância medida excede 3,5	Dilua a amostra e meça novamente
Número de verificação de código de barras com falha? Atualize os dados de programa!	Desvio para os dados armazenados	Atualizar dados de programa
É recomendado executar uma Verificação de Sistema completa.	Falha na verificação dos valores de ar	Desligue o instrumento e ligue-o outra vez. Se a verificação de sistema não for bem-sucedida, entre em contato com o suporte técnico.
A correção do valor em branco não é possível!	A correção do valor em branco não é possível com LCW919.	
Programa com falha não acessível. Atualize os dados de programa!	Teste de código de barras não presente	Atualizar dados de programa
Falha ao limpar cubeta!	A cubeta está suja ou há partículas não dissolvidas nela	Limpe a cubeta; deixe as partículas se estabilizarem

Erro exibido	Causa	Resolução
Programa de teste com falha interrompido! Verifique a lâmpada Fechar tampa Erro [xx]	O programa de teste é interrompido quando o instrumento é iniciado	Verifique a lâmpada e troque se necessário Feche a tampa. Pressione Iniciar Novamente.
Programa de teste com falha interrompido! Remova a cubeta Fechar tampa	O programa de teste é interrompido quando o instrumento é iniciado	Remova a célula de cubeta/amostra do compartimento de célula. Pressione OK .
Erro Auto verificação interrompida Erro de hardware Erro [x]	Defeito eletrônico	Entre em contato com o suporte técnico e indique o número do erro
Erro Muita luz ambiente! Mova o instrumento para a sombra ou feche a tampa	Os sensores do instrumento detectam muita luz ambiente.	Diminua a luz ambiente. (Evite luz solar direta.) Feche a tampa.
Nenhuma função de ajuda está disponível para este programa.		
Vida de prateleira excedida! Usar substâncias químicas?		A análise possivelmente está incorreta. Use novas substâncias químicas
Sem avaliação!	Erro no banco de dados de teste / banco de dados do usuário	Verifique a programação Entre em contato com o suporte técnico

Erro exibido	Causa	Resolução
Nenhum código de barras!	Nenhum código de barras encontrado	Reinsira a célula. Se o código de barras não for reconhecido, entre em contato com o suporte técnico.
Entrada inválida!	Senha incorreta	Esqueceu a senha? Entre em contato com o suporte técnico.
Nenhum dado válido para estes parâmetros!	A análise de dados não é possível, nenhum dado de medição	Altere a seleção.
Nenhum dado válido encontrado!	Não é possível ver os dados no log	Altere a seleção.
Nenhuma função de ajuda presente.		
Nenhum dado de medição presente!	As configurações de análise de dados não podem ser definidas sem os dados de medição.	Altere a seleção.
Faixa de controle não atingida!	Limites de análise de dados não atingidos	Esta é uma mensagem de aviso. O limite de controle definido não foi atingido.
Faixa de controle excedida!	Limites de análise de dados excedidos.	Esta é uma mensagem de aviso. O limite de controle foi excedido.
A concentração está muito alta!	A concentração calculada é maior do que 999999	Dilua a amostra e meça novamente
Além do alcance de medição	A Absorbância medida está acima do alcance de calibração para o teste	Dilua a amostra e meça novamente

Erro exibido	Causa	Resolução
Dentro do alcance de medição	A Absorbância medida está abaixo do alcance de calibração para o teste	Se possível, selecione um teste com faixa de leitura inferior ou use uma cubeta com maior caminho
Possível interferência de:	Verificação de Interferência	A análise possivelmente está incorreta devido a interferências.
Possível interferência de:	Verificação de Interferência	A análise possivelmente está incorreta devido a interferências.
O próximo serviço está vencido!		Entre em contato com o suporte técnico para realizar uma inspeção do instrumento.
Resultado negativo!	O resultado calculado é negativo	Verifique a concentração da amostra
Condições instáveis de luz!		Evite luz solar direta no local de medição.
Verificação do sistema incorreta!	Falha na medição dos valores de ar	Desligue o instrumento e ligue-o outra vez. Se a verificação de sistema não for bem-sucedida, entre em contato com o suporte técnico.
Temperatura está muito alta. A medição não é possível!		Desligue o instrumento e deixe-o esfriar por alguns minutos. Se necessário, mova-o para um local mais fresco.
Erros de atualização		
Ocorreu um erro ao fazer o upload dos dados do instrumento.		Inicie o procedimento de novo ou entre em contato com o suporte técnico.

Erro exibido	Causa	Resolução
Ocorreu um erro ao ler o cartão de memória USB.		Inicie o procedimento de novo ou entre em contato com o suporte técnico.
Ocorreu um erro ao gravar no cartão de memória USB.		Inicie o procedimento de novo ou entre em contato com o suporte técnico.
Verifique o arquivo de atualização atual.	Erro durante a atualização.	Verifique o cartão de memória USB.
Entre em contato com o Atendimento ao Cliente.	Erro durante a atualização.	
Insira o cartão de memória USB.		Insira o cartão de memória USB em uma porta USB A no instrumento.
Arquivo de atualização do instrumento ausente.	Erro durante a atualização.	Verifique o cartão de memória USB.
Arquivo de atualização do instrumento com falha.	Erro durante a atualização.	Salve o arquivo de atualização novamente e repita o procedimento.
Erro ao copiar do cartão de memória USB.	Erro durante a atualização	Inicie o procedimento de novo ou entre em contato com o suporte técnico.
Nenhum backup de instrumento presente!		Verifique o cartão de memória USB.
Memória insuficiente para atualização.	Erro durante a atualização.	Selecione uma memória com mais espaço.
O arquivo de atualização está com falha.	Erro durante a atualização.	Salve o arquivo de atualização novamente e repita o procedimento.

Erro exibido	Causa	Resolução
O cartão de memória USB não está conectado.	A atualização não é possível.	Verifique o cartão de memória USB.
Erros de conexão de rede		
Verifique a configuração da rede.		
Verifique a conexão.		
Verifique a conexão e entre em contato com o administrador.	Configuração de rede ou erro de FTP	
Erro ao chamar o endereço IP local.	Configuração de rede: o cliente DHCP não tem nenhuma conexão com o servidor DHCP	Informe o endereço IP novamente.
Erro durante a configuração do gateway padrão.	Configuração de rede: não é possível definir o gateway padrão para o endereço IP fixo	Tente criar a conexão novamente.
Erro durante a configuração da unidade de rede!	Erro durante a configuração da rede O diretório de destino não existe.	Verifique as configurações. Defina o diretório de destino.
Erro durante a configuração da máscara de sub-rede.	Configuração de rede: não é possível definir a máscara de sub-rede para o endereço IP fixo	Informe a máscara de sub-rede novamente.
Erro na conexão FTP.	Erro de FTP	Certifique-se de que o instrumento esteja conectado à rede.
Rede desativada.	Configuração de rede desativada, quando se acessa página principal instrumentos via barra lateral	Ative a conexão online.

Erro exibido	Causa	Resolução
Não é possível acessar o servidor remoto.	Erro durante a configuração da rede	Certifique-se de que o instrumento esteja conectado à rede. O endereço fixo do DR 6000 não é aceito.
Servidor remoto inacessível!	O endereço fixo do DR 6000 não é aceito. O nome do servidor inserido está incorreto.	Altere para "Automático". Insira o nome do servidor correto.
Não é possível acessar o servidor da Web.	Não é possível acessar a página inicial instrumentos.	Tente a conexão novamente mais tarde.

Peças de reposição

Descrição	Cat. nº.
Lâmpada halógena	A23778
Lâmpada de deutério	A23792
Adaptador de célula universal	LZV902.99.00020
Cabo de energia EU	YAA080
Cabo de energia CH	XLH051
Cabo de energia UK	XLH057
Cabo de energia US	1801000
Cabo de energia China/Austrália	XLH069
Fusível	A23772
Membrana do filtro	LZV915
Capa protetora contra pó	LZV886
Proteção da interface USB	LZV881

技术数据

更改保留!

性能规格	
操作模式	百分比透射率、吸光率和浓度
光源灯	氘灯 (UV) 和卤钨灯 (可见范围)
波长范围	190 - 1100 nm
波长精度	± 1 nm (波长范围 200 - 900 nm)
波长重复性	< 0.1 nm
波长分辨率	0.1 nm
波长校准	自动
波长选择	自动, 根据方法设定
扫描速度	900 nm/分钟 (以 1 nm 的步长)
光谱带宽	2 nm (656 nm 处为 1.5 - 2.9 nm, 对于 D2 线, 为 1 nm)
光度测量范围	± 3 Abs (波长范围 200 - 900 nm)
光度精度	0.0 - 0.5 Abs 处为 5 mAbs 在 546 nm 0.50 - 2.0 Abs 处 < 1%
光度线性	< 0.5% 至 2 Abs <= 1% (在 > 2 Abs 时) 使用中性玻璃 (546 nm)
杂散光	KI 溶液在 220 nm 处 < 3.3 Abs / < 0.05%
空白读数的测光漂移 (30 分钟基线稳定)	190 - 199 nm +/- 0.0100 Abs 200 - 349 nm +/- 0.0054 Abs 350 - 899 nm +/- 0.0034 Abs 900 - 1100 nm +/- 0.0100 Abs
长期稳定	546 nm 处的零点在 10 小时 ≤ 0.0034 Abs

性能规格	
数据日志	5000 个测量值 (结果、日期、时间、样品 ID、用户 ID) 50 次扫描, 50 次时间扫描
用户程序	200
物理和环境规格	
宽度	500 mm (19.69in)
高度	215 mm (8.46in)
深度	460 mm (18.11in)
重量	11 kg (24.25 lb)
环境操作要求	10 - 40 ° C (50 - 104 ° F), 最大 80% 相对湿度 (未形成冷凝水)
环境存储要求	-25 - 60 ° C (-13 - 140 ° F), 最大 80% 相对湿度 (未形成冷凝水)
附加技术数据	
电源连接	100 - 240 V/50 - 60 Hz
功耗	150 VA
保险丝	T 2A H; 250 V (2 个装置)
接口	仅可选用最大长度为 3 米的屏蔽电缆: 2x USB A 类 1x USB B 类 仅可选用最大长度为 20 米的屏蔽电缆 (例如 STP、FTP 和 S/FTP): 1x 以太网
外壳防护等级	隔室盖关闭时为 IP20
保护等级	I 类

性能规格	
①	此产品经测试，符合 CAN/CSA-C22.2 No. 61010-1 第二版（包括修正条款 1）的要求或相同标准（包含等级测试要求）的后续版本规定。
污染程度	2
安装类别	II
最大高度	2000 m (6560 ft)

一般信息

安全警示

在拆封、装配或操作设备之前，请仔细阅读整个用户手册。请遵守所有的危险警示和警告事项。否则会导致操作员严重受伤，或损坏仪器。

要确保本仪器所提供的防护措施不受破坏，请不要使用这些操作说明规定之外的方法来安装或者使用本仪器。

危险

表示潜在或紧急的危险情况，如果不加以避免的话，可能导致死亡或严重的伤害。

警告

表示潜在或紧急的危险情况，如果不加以避免的话，可能导致死亡或严重的伤害。

小心

表示可能引起轻微或中等伤害的危险情况。




警告

表示要注意的情况，如果不加以避免，可能对设备造成损坏。需要特别强调的信息。

注： 补充正文的信息。

警告标签

按照仪器上所有的标识和标签要求操作。不遵守会导致人员伤亡或损坏设备。对于附着在设备上的符号，可在用户手册中找到相应的警示。

	此符号可能附着在设备上，并参考用户手册中的操作和 / 或安全警示。
	设备上的这种符号指示高温表面。
	截止 2005 年 8 月 12 日，带有这种符号的电气设备不能在欧洲范围内以未分类的家庭或工业废物进行处理。按照有效规定（欧盟指令 2002/96/EC），因此欧盟消费者必须将旧电气设备返回至制造商进行处理。这项服务是免费的。 注： 请联系制造商或供应商，了解可以如何返回破旧设备、制造商提供的电气附件及所有辅助物品，以便正确处置或回收利用。

警告

对于由于误用或滥用本产品造成的任何损坏，包括但不限于直接、伴随和间接损坏，制造商不承担任何责任，并在适用法律的最大程度上免于这类损坏的责任。用户唯一的责任是识别重大应用风险和安装适当的系统，以在设备可能出现故障时保护流程。

光源灯的安全

光源灯的工作温度较高。

为避免电击风险，请确保从电源断开仪器，然后再更换灯。

小心

臭氧导致的健康危险。
当紫外线灯未冷却时，可能产生危险水平的臭氧。

警告

紫外线导致的健康危险。
紫外线可导致眼部及皮肤损害。保护眼睛和皮肤避免受到紫外线的直接照射。
没有戴紫外线安全眼镜时，请勿直视通电的灯。

小心

灼伤危险，让灯冷却至少 30 分钟，然后再维修 / 更换它们。

RFID 模块（部分机型未提供）

RFID 技术是一项无线电应用。无线电应用取决于国家授权情况。目前在下列国家 / 地区允许使用 DR 6000（配有 RFID 模块的机型）：欧盟、瑞士、挪威、克罗地亚、塞尔维亚、马其顿王国、土耳其、塞浦路斯、美国、加拿大、澳大利亚、新西兰。我们指出，在指定区域之外使用 DR 6000（配有 RFID 模块的机型）可能会违反国家法律。制造商保留还在其他国家 / 地区获取授权的权利。有关在您的地区使用的问题，请联系您的经销商。

DR 6000 包含用于接收和传送信息和数据的 RFID 模块。RFID 模块可以在 13.56 MHz 频率下运行。

警告

不可在危险环境下使用分光光度计。
制造商和供应商拒绝为高风险活动提供任何明确的或间接的保证。

遵守以下安全信息以及当地任何现行准则。

安全信息用于确保正确使用仪器。

- 在医院或类似场所，请勿在心房脉冲产生器或助听器之类的医疗设备附近操作此仪器。
- 请勿在极为易燃的物品旁操作此仪器，例如燃料、极为易燃的化学品和爆炸物。
- 请勿在靠近燃气、蒸汽或灰尘处操作该设备。
- 请勿振动或摇晃仪器。
- 仪器在直接靠近电视、收音机和计算机时会产生干扰。
- 请勿打开仪器。
- 如果未按照本文的准则使用仪器，则保证无效。

化学与生物学安全

危险

接触化学 / 生物物质的潜在危险。

在使用化学样品、标准和试剂时可能遇到危险。

在使用前，请熟悉必要的安全过程和正确的化学品处理方法，阅读并遵守所有相关的安全数据表单。

此设备的正常操作可能要求使用对生物不安全的化学品或样品。

- 必须在使用前仔细查看原始溶液容器上印有的所有警告信息以及安全数据表单。
- 按照当地和国家法规处理消耗的所有溶液。
- 选择对使用的危险品浓度和数量合适的的保护设备类型。

产品概述

DR 6000 是波长范围在 190 到 1100nm 的一种紫外线 - 可见光分光光度计。可见光谱（320 至 1100 nm）由卤钨灯覆盖，氘灯产生紫外光谱（190 至 360 nm）的光线。

此仪器随附了整套的应用程序并支持多种语言。

DR 6000 分光光度计包含以下程序和操作模式：

- 已存储程序（预安装的测试）
- 条形码程序

- 用户程序
- 常用程序
- 单波长
- 多波长
- 波长扫描
- 时间扫描

DR 6000 分光光度计提供浓度、吸光率或透射率百分比的数字读数。

在选择用户生成的或编程的方法时，菜单和提示将用于引导用户完成测试。

此菜单系统还可产生报告、生成的校准曲线的统计估算以及有关仪器诊断检查的报告。

安装

警告

电气危险与着火危险。
只能使用随附的电源线。

只有合格的专家才能执行在本节中所述的任务，并且还遵守当地所有现行的安全规定。

警告

不得用尺寸不够的电源线更换可拆卸电源线。

拆开设备包装

DR 6000 分光光度计包装随附下列物品：

- DR 6000 分光光度计
- 防尘盖
- USB 防尘盖，标配件
- 用于美国和欧盟的电源线（当运到中国时，为用于中国的电源线）
- 通用比色皿适配器

- 操作员 RFID 标签（部分机型未提供）
- 1 英寸比色皿，配对
- 基本 DR 6000 用户手册，LINK2SC 用户手册

请访问制造商的网站了解进一步信息、详细的用户手册和文档。

注： 这些物品如有任何缺少或损坏，请立即与制造商或销售代表联系。

操作环境

请遵守以下各点，以便设备完美地工作，从而拥有较长的使用寿命。

- 将仪器平稳放置在平滑表面上。不得将物体推到设备的下面。
- 安置设备注意不会损坏电源线。
- 环境温度必须为 10 - 40 °C (50 - 104 °F)。

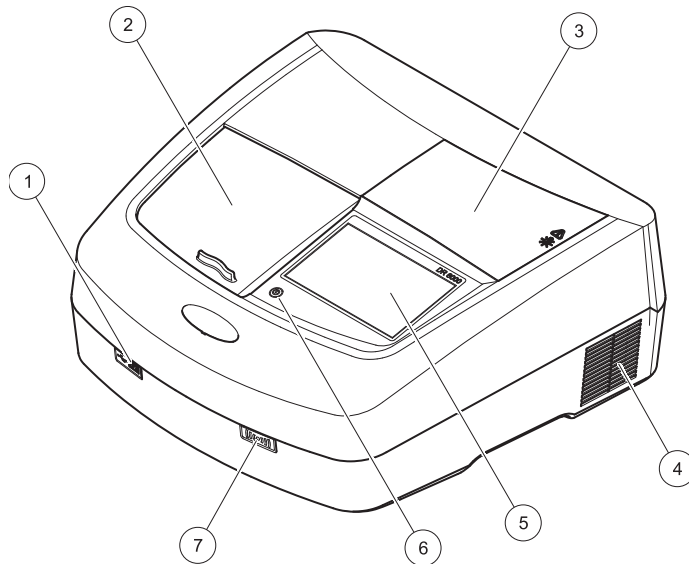
注意

避免仪器受到加热器、日光直射和其他热源的极端温度影响。

- 相对湿度应小于 80%；避免仪器上产生水分。
- 在顶部和各边保留至少 15 厘米间隙供空气循环，以避免电气部件过热。
- 请勿在非常肮脏或潮湿的地方使用或存放设备。
- 保持仪器表面、隔室和所有配件时刻清洁和干燥。立即去除仪器表面或内部的飞溅或分离物（参见**维护**，第 189 页）。

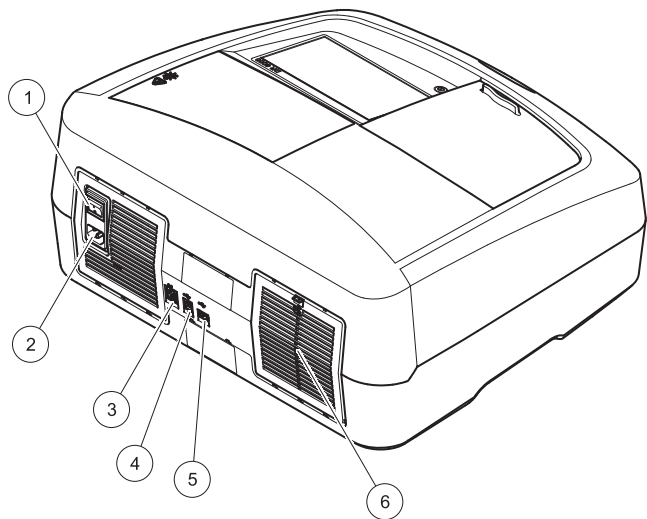
正面和背面视图

图 1 正面视图



1	USB 端口 A 类	5	触摸屏
2	隔室盖	6	节电钥匙
3	灯孔盖	7	RFID 模块（部分机型未提供）
4	风扇出口		

图 2 背面视图



1 开关	4 USB 端口 B 类
2 电源线的插座	5 USB 端口 A 类
3 以太网端口	6 滤板盖

电源连接

注意

只能使用接地插座为该仪器连接电源。如果您不确定插座是否接地，请安排一名合格电工进行检查。除了连接电源，电源插头还能在必要时使设备快速断电。切断电源期间，必须确保按下正确的电源插头（比如为插座贴标签区分）。长期存放时建议这样处理，可以防止发生故障时出现潜在危险。因此要确保每位使用者始终能轻松够到设备连接的插座。

警告

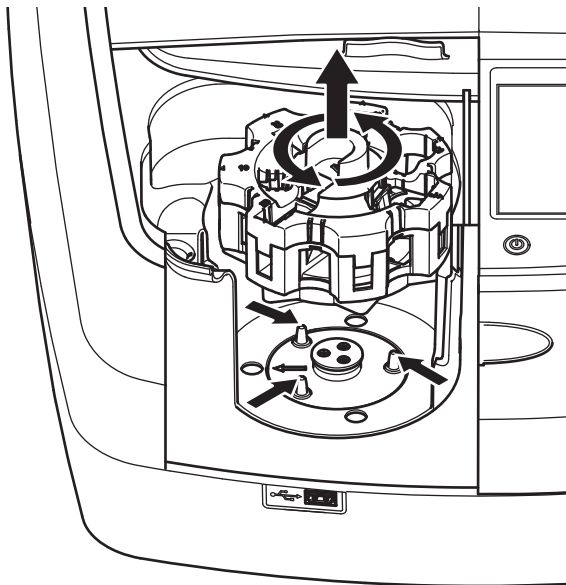
电气危险与着火危险。
只能使用随附的电源线。

1. 将电源线插入仪器背面（背面视图，第 174 页）。
2. 将电源线的插头插入接地的电源插座（100 - 240 V[~] / 50 - 60 Hz）。
3. 将电源按钮转到 On（开）以打开仪器（背面视图，第 174 页）。

如何放置通用比色皿适配器

1. 打开隔室。
2. 升起通用比色皿适配器大约 1 厘米。
3. 旋转通用比色皿适配器，以便所需的比色皿侧面的导口面向隔室的左侧 (1)。
4. 按下通用比色皿适配器，直到它卡入到位。

图 3 如何放置通用比色皿适配器



启动

打开仪器，启动过程

1. 将电源线连接到电源插座。
2. 通过背面的电源开关打开仪器。
3. 设备自动开始大约 45 秒的启动过程。显示屏显示制造商的徽标。在启动过程结束时，会听到一声启动旋律。

注：在再次接通电源之前，等待大约 20 秒，以免损坏仪器的电子和机械设备。

语言选择



DR 6000 软件包括多个语言选项。首次打开仪器时，在启动过程后会自动显示语言选择屏幕。

1. 选择所需的语言。
2. 按 **OK (确定)**，确认语言选择。然后会自动开始自检过程。

更改语言设置

设备将使用选定的语言，直到该选项被更改。

1. 打开仪器。
2. 在启动过程中，触摸显示屏的任何地方，直到（大约 45 秒）显示语言选择的列表。
3. 选择所需的语言。
4. 按 **OK（确定）**，确认语言选择。然后会自动开始自检过程。

自检



每次打开仪器电源时，将开始测试程序。

此步骤将对系统、灯、过滤器调整、波长校准和电压执行约两分钟的检查。显示屏上会相应地标记每个选中的功能。

完成诊断后，将显示 Main Menu（主菜单）。

注：如果在测试程序过程中出现进一步的错误消息，请参见[故障排除](#)，第 189 页。

休眠模式



用户可以让仪器进入休眠模式。

1. 按显示屏下面的节电键。
此时将显示“休眠模式”消息。之后，显示屏将自动关闭。
2. 再按节电键一次以重新打开。
自检过程将自动开始。
此后，仪器准备就绪，可以开始使用。

关闭仪器

1. 按下仪器背面的电源开关。

标准程序

概述

使用触摸屏的技巧

整个显示屏会对触摸作出反应。可用手指甲、指尖、橡皮头或记录笔轻轻触屏来进行选择。请勿用尖锐物品（例如圆珠笔尖）触摸显示屏。

- 请勿在屏幕上放置任何物品，以避免损坏或擦伤屏幕。
- 请按下按钮、单词或图标来选定它们。
- 使用滚动条可以迅速向上 / 向下移动较长的列表。按住滚动条，然后向上 / 向下移动列表。
- 触控列表中某一项，将其突出显示。当该项被成功选定后，会将其反向显示（即暗背景上显示亮文字）

使用字母数字键盘



这个屏幕用于输入在为仪器编程时所需的字母、数字和符号。不可用选项被禁用（以灰色显示）。表 1 中描述了显示屏左侧和右侧的符号。

中央键盘的指派会根据选定的输入功能变化。反复触摸每个键，直到所需的字符显示在显示屏上。空格可以通过 YZ_ 键的下划线来输入。

按 **Cancel**（取消）取消输入，或按 **OK**（确定）确认输入。

注：此外，还可以使用 **USB 键盘**（具有美国键盘布局）或手持式 **USB 条形码扫描器**（参见**更换部件**，第 191 页）。

表 1 字母数字键盘

图标 / 键	说明	功能
ABC/abc	字母	在大小写之间转换字符输入模式。
# %	符号	可输入标点、符号以及数值型下标和上标。
123	数字	用于输入常规的数字。
CE	清除输入	清除输入的内容。
左箭头	后退 键	删除当前字符并退回一位。
右箭头	前进	导航至输入条目中的下个空格。

主菜单



可从 **Main Menu**（主菜单）中选择各种模式。下表对各菜单选项进行了简要的描述。

您会在显示屏的右侧发现工具栏。按下可激活各种功能。

表 2 Main Menu (主菜单) 选项

选项	功能
已存储程序 / 条形码程序 (哈希 - 兰格程序)	已存储的程序是利用哈希化学品和哈希 - 兰格移液管测试的预编程方法。 测试包中包括哈希 - 兰格测试的工作过程。 有关进一步信息以及采用哈希程序进行分析时的分步流程图示说明, 请访问制造商的网站。
用户程序	通过用户程序可“执行测量分析”: <ul style="list-style-type: none"> 用户可对其自身开发的方法编程 可将现有哈希和哈希 - 兰格过程存储为用户程序。然后可以根据单独的要求修改这些过程。
常用程序	由用户创建的用于满足其自身需求的方法 / 测试列表。
单波长	单波长读数具体如下: 吸光率读数: 以吸光率为单位, 测量样品对光线的吸收程度。 透射率读数 (%) : 测量穿透并到达检测器的原始光线的百分比。 浓度读数: 可通过输入的浓度系数将测定的吸光率值转换为浓度值。
多波长	在多波长模式下, 通过多达四个波长测量吸光率 (Abs) 或百分比透射率 (T), 同时计算吸光率差值和吸光率相关性。也可执行简单的浓度转换。
波长扫描	波长扫描显示来自样品的光线在定义的波谱中是如何被吸收的。此功能可用于确定可测得最大吸光率值的波长。扫描过程中, 吸光率行为以图形方式呈现。
时间扫描	时间扫描可记录在指定时间指定波长下的吸光率或百分比透射率。
系统检查	System Check (系统检查) 菜单提供了大量选项, 其中包括光学检查、输出检查、灯运行时间、仪器更新、服务时间和仪器备份。
调用测量数据	可以调用、过滤、发送和删除已存储的数据。
仪器设置	在此模式下, 可以输入特定于用户或特定于方法的设置: 操作员 ID、样品 ID、日期与时间、声音、计算机与打印机、密码、节能模式和已存储的数据。

保存、调用、发送和删除数据

数据日志

数据日志最多可以存储 5000 条由以下程序保存的读数:

- 存储程序,
- 条形码程序,
- 用户程序,
- 常用程序,
- 单波长和
- 多波长。

存储完整的分析记录, 包括日期、时间、结果、样品 ID 和操作员 ID。

从数据日志中调用存储数据



1. 在 Main Menu (主菜单) 中, 按 Recall Data (调用数据)。



- Sample ID (样品 ID)
- Operator ID (操作员 ID)
- Start Date (开始日期)
- 参数

或以上四项内容的组合。



2. 按 Data Log (数据日志)。

此时显示存储数据列表。



3. 按 Filter: On/Off (过滤: 开/关)。
可使用 Filter Settings (过滤设置) 功能搜索特定项目。
4. 激活 On (开)。现在可以使用以下选择标准过滤数据。

5. 按 OK (确定) 确认所选内容。

此时列出所选项目。

从数据日志发送数据

数据将从内部数据日志，以 XML (可扩展标记语言) 文件或 CSV (逗号分隔值) 文件形式，发送到 USB 大容量存储设备或网络驱动器上名为 DataLog 的目录下。然后可使用电子数据表程序对文件进行处理。文件名格式为: DL 年-月-日_小时_分_秒.csv 或 DL 年-月-日_小时_分_秒.xml。



1. 将 USB 存储设备插入 DR 6000 上的 USB A 接口，或者将 DR 6000 与网络驱动器连接在一起。
2. 从 Main Menu（主菜单）中，按 Recall Data（调用数据）。
3. 选择要传输的数据目录，例如 Data Log（数据日志）。此时将显示选定的测量数据列表。



4. 轻触 Options（选项），然后轻触 PC & Printer（PC 和打印机）符号。



5. 选择要发送的数据。
下列选项可用：
 - **单点**：仅发送此选定读数
 - **经过滤的数据**：仅发送与设置过滤器相对应的读数。
 - **所有数据**：将发送选定数据目录中的所有数据
6. 按 OK（确定）确认。

注： 括号中的数字是分配到此选择内容的数据集的总数。

存储程序

通过 Stored Programs (已存储程序) 菜单, 可以调用 200 多个预编程程序。Stored Programs (已存储程序) 不包含任何条形码测试。

选择已保存的测试 / 方法; 输入特定用户的基本数据

已存储程序	
315 Molybden LR	3.00 mg/L
66 Monokloramin LR	4.50 mg/L
388 N Ammoniak Fri	0.50 mg/L
380 N Ammoniak Nessler	2.50 mg/L
385 N Ammoniak Salic.	0.50 mg/L
361 N Nitrat HR AV	30.0 mg/L
355 N Nitrat HR PP	30.0 mg/L
351 N Nitrat LR	0.50 mg/L
359 N Nitrat MR AV	10.0 mg/L
353 N Nitrat MR PP	10.0 mg/L

主菜单 选择编号进行 程序选项 开始

1. 在 Main Menu (主菜单) 中, 按 **Stored Programs (存储程序)**, 查看带有程序编号的存储程序字母列表。
此时将显示 Stored Programs (已存储程序) 列表。
2. 选择所需测试。
注: 按名称选择程序或使用箭头键滚动浏览整个列表。高亮显示所需的程序, 或按 **Select by No. (按编号选择)**, 搜索特定的程序编号。按 **OK (确定)** 确认。
3. 按 **Start (开始)** 运行程序。此时将显示相应的测量窗口。
注: 所有相应数据 (波长、系数和常数) 均已预设。
4. 按照化学分析方法手册说明。有关进一步信息, 请访问制造商的网站
注: 要在显示屏上显示方法说明, 请按信息图标。此选项并不适用于所有测试。

样品分析



1. 按 **Stored Programs (存储程序)** 并选择某一程序。
注: 如有过程说明可用, 将通过显示屏上的信息图标指示。
2. 将零溶液比色皿插入隔室。
3. 按 **Zero (零)**。



- 从隔室中取出零溶液比色皿。将样品比色皿插入到隔室。
- 按 **Read (读取)**。此时将显示结果。
注：要定义样品稀释，请按工具栏中的 **Dilution (稀释)** 键。
- 有关数据存储，请参见 **数据日志** 小节，第 178 页。

条形码程序

隔室 #1 中特殊的条形码读取器可在试管/样品瓶完成单转动后自动读取 13 毫米试管/样品瓶上的条形码。仪器使用条形码识别自动设置用于分析的正确波长并根据存储系数立即计算结果。

此外，在转动期间，将记录 10 个不同位置的读数。此时将运行一个特殊的异常值排除程序，然后计算测定值的均值。由于已检测比色皿和圆形比色皿的缺陷和污染情况，因此可确定非常精确的结果。

执行条形码测试



- 按照工作说明准备条形码测试，并将比色皿插入隔室 (1)。
 - 将编码的比色皿放置在隔室 (1) 中时 (**如何放置通用比色皿适配器**，第 175 页)，将自动激活主菜单中相应的测量程序。



- 否则，在主菜单中选择 **Barcode Programs (条形码程序)** 菜单选项，并将零比色皿 (根据工作说明) 插入隔室 (1)。

注：要获得有关帮助指南 (“Information (信息)” 符号) 的进一步信息。



自动开始测量并显示结果。

注：要定义样品稀释，请按工具栏中的 *Dilution (稀释)* 键。

要评估其他比色皿测试和参数，请将准备好的比色皿插入隔室并读取结果。

注：控制栏显示在显示屏的右侧，将显示测量结果与测量范围的关系。蓝色栏显示与输入的稀释系数无关的读数结果。

扩展程序

单波长（吸光率、浓度和透射率读数）

可通过三种方式使用单波长模式。对于单波长下的样品读数，可对仪器编程，以测量吸光率、透射率百分比或分析浓度。

- 吸光率读数：以吸光率为单位，测量样品对光线的吸收程度。
- 透射率百分比测量穿透并到达检测器的原始光线的百分比。
- 启用浓度系数，并选择一个特定的乘数，用于将吸光率读数转换为浓度。在浓度与吸光率的对比图形中，浓度系数表示线的斜率。

设置单波长模式

1. 在 Main Menu（主菜单）中，按 **Single Wavelength (单波长)**。
2. 在 Parameter Setup（参数设置）中，按 **Options (选项)**。



表 3 单波长选项

选项	说明
更多	其他选项
调用测量数据符号	调用已保存的测量数据、波长扫描或时间扫描，参见 保存、调用、发送和删除数据 ，第 178 页。
百分比透射率 / 吸光率	在读数模式中，从 % 透射率切换到浓度或吸光率。
λ 波长	输入波长设置。使用字母数字键盘输入读数波长。可输入 190 - 1100 nm 范围的波长。
定时器图标	可用作秒表。这有助于确保准确定时分析步骤（例如，可确切指定反应时间、等待时间等）。当经过了指定的时间时，将发出声音。使用定时器不会对读数程序产生影响。
浓度系数：关 / 开	将吸光率值转换为浓度值的倍增系数。
浓度分辨率	要选择小数位。
保存为用户程序	要将所选参数存储为用户程序，请参见 单波长（吸光率、浓度和透射率读数） ，第 183 页。



表 3 单波长选项 (续)

选项	说明
读数模式	<p>单个读数: 轻触 Read (读取) 之后, 将显示一个测量结果。</p> <p>连续读数: 零测量后, 将自动连续显示所有读数。</p> <p>轮转固定器 1 英寸方形: 具有多达 5 个方形比色皿的轮转固定器插件的可选测量。</p> <p>轮转固定器 1 厘米方形: 具有多达 7 个方形比色皿的轮转固定器插件的可选测量。</p>
调用测量数据	调用已保存的测量数据、波长扫描或时间扫描, 参见 保存、调用、发送和删除数据 , 第 178 页。
“Instrument Setup (仪器设置)” 模式	仪器的基本数据, 参见 保存、调用、发送和删除数据 , 第 178 页。

多波长模式 - 具有多个波长的读数

在多波长模式下, 可通过多达四个波长测量吸光率值, 可对测量结果进行数学处理, 获取总合、差值及相关性数据。

- 吸光率读数: 以吸光率为单位, 测量样品对光线的吸收程度。
- 透射率百分比测量穿透并到达检测器的原始光线的百分比。
- 启用浓度系数, 并选择一个特定的乘数, 用于将吸光率读数转换为浓度。在浓度与吸光率的对比图形中, 浓度系数表示线的斜率。使用各波长的单一系数 (由用户输入) 计算浓度。

设置在不同波长下的读数模式

在 Main Menu (主菜单) 中, 按 **Multi Wavelength (多波长)**。在 Parameter Setup (参数设置) 中, 按 **Options (选项)**。



表 4 多波长设置选项

选项	说明
更多	其他选项
调用测量数据符号	调用已保存的测量数据、波长扫描或时间扫描, 参见 保存、调用、发送和删除数据 , 第 178 页。
百分比透射率 / 吸光率	在读数模式中, 从 % 透射率切换到浓度或吸光率。
λ 波长	输入波长设置。使用字母数字键盘输入读数波长。可输入 190 - 1100 nm 范围的波长。
定时器图标	可用作秒表。这有助于确保准确定时分析步骤 (例如, 可确切指定反应时间、等待时间等)。当经过了指定的时间时, 将发出声音。使用定时器不会对读数程序产生影响。
浓度系数	将吸光率值转换为浓度值的倍增系数。
浓度分辨率	要选择小数位。
吸光率公式	评价样品的计算依据
保存为用户程序	要将所选参数存储为用户程序, 请参见 单波长 (吸光率、浓度和透射率读数) , 第 183 页。



表 4 多波长设置选项 (续)

选项	说明
读数模式	<p>单个读数: 按 Read (读取) 后, 将显示单个读数。</p> <p>Carousel 1 英寸方形: 具有多达 5 个方形比色皿的 Carousel 插件的可选测量。</p> <p>Carousel 1 厘米方形: 具有多达 7 个方形比色皿的 Carousel 插件的可选测量。</p>
调用测量数据	调用保存的测量数据、波长扫描或时间进程, 请参阅保存、调用、发送和删除数据, 第 178 页。
“Instrument Setup (仪器设置)” 模式	仪器的基本数据, 参见单波长 (吸光率、浓度和透射率读数), 第 183 页。

波长扫描模式 - 记录吸光度和透射率光谱

在波长扫描模式下, 根据定义的波长光谱测量溶液中光的吸收程度。

读数结果可显示为由透射率百分比 (%T) 或吸光率 (Abs) 组成的曲线。收集的数据可打印为表或曲线形式。

此数据可用于格式更改。其中包括自动缩放和放大功能。确定最大和最小值并显示为表。

光标可移到曲线上任意一点, 以读取吸光率 / 透射率值以及波长。在表中也可显示与各数据点相关的数据。

设置波长扫描

在 MainMenu (主菜单) 中, 按 Wavelength Scan (波长扫描)。在 Parameter Setup (参数设置) 中, 按 Options (选项)。



表 5 波长扫描时的选项

选项	说明
更多	显示其他选项
文件夹图标	存储扫描数据
参考: 关 / 开	<p>从显示的存储扫描列表中, 选择某一记录用作参考扫描 / 重叠扫描。可将其高亮显示或在背景中与实际测量的扫描进行对比显示。</p> <p>注: 该选项仅在出现具有相同波长范围和间隔的存储扫描时可用。</p>
λ	输入波长光谱和扫描间隔

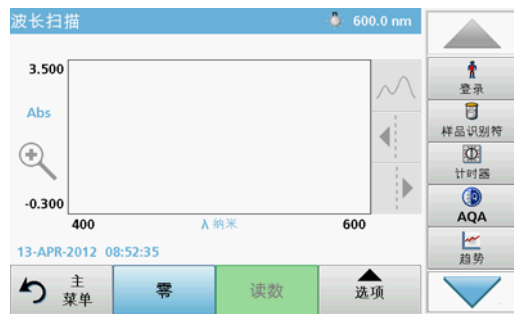


表 5 波长扫描时的选项 (续)

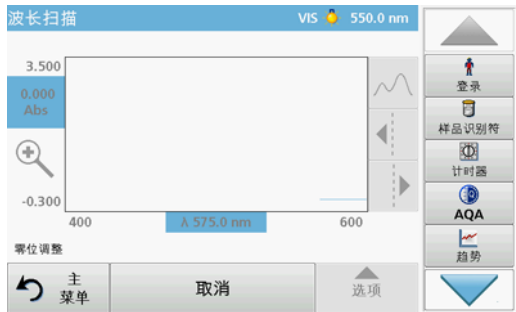
选项	说明
定时器图标	可用作秒表。这有助于确保准确定时分析步骤 (例如, 可确切指定反应时间、等待时间等)。当经过了指定的时间时, 将发出声音。使用定时器不会对读数程序产生影响。
View Table/Graph (视图表 / 图形)	能够在表格格式扫描数据 (波长 / 吸光率) 的显示与典型的图形表示之间进行切换。 <i>注: 第一次测量之后, 将激活 View Table (视图表)。</i>
光标模式	选择 Track (轨迹) 或 Peak/Valley (峰值 / 谷值) 。选择此菜单选项可确定光标要移动的图形上的点。
发送数据	将数据发送到打印机、计算机或 USB 记忆棒 (A 类)
积分: 开 / 关	积分给定区域, 积分的导数则给定初始函数
比例和单位	比例: 在自动缩放模式下, 会自动调整 y 轴, 以显示整个扫描。 手动缩放模式允许显示扫描截面。 单位: 选择吸光率或透射率。
读数模式	单个读数: 轻触 Read (读取) 之后, 将显示一个测量结果。 轮转固定器 1 英寸方形: 具有多达 5 个方形比色皿的轮转固定器插件的可选测量。 轮转固定器 1 厘米方形: 具有多达 7 个方形比色皿的轮转固定器插件的可选测量。
调用测量数据	调用已保存的测量数据、波长扫描或时间扫描, 参见 保存、调用、发送和删除数据, 第 178 页 。
“Instrument Set up (仪器设置)” 模式	仪器的基本数据, 参见 保存、调用、发送和删除数据, 第 178 页 。

执行波长扫描

在选择所有扫描参数后, 请记录基线 (初始零读数)。如果扫描参数已更改, 则必须记录新的基线。在基线的扫描之后, 设备为扫描一个或多个样品做好了准备。



1. 在主菜单中, 选择菜单选项 **Wavelength Scan (波长扫描)**。
2. 将零溶液比色皿插入隔室, 关上隔室盖。



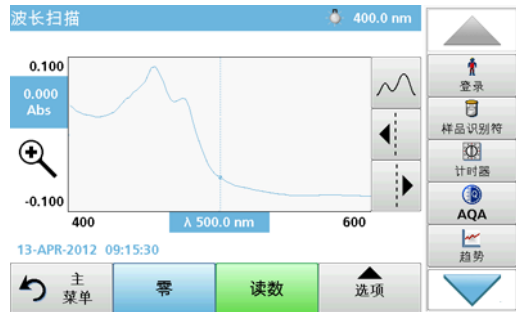
3. 按 **Zero (零)**。

在基线扫描开始时，图表下方将显示 Zeroing (零位调整)。

4. 将准备的分析比色皿插入隔室，关上隔室盖。

5. 按 **Read (读取)**。

此时在图表下将出现 Reading... (读数...) 显示屏，并会持续显示已扫描波长的吸光率或透射值图形。



完成波长扫描后，如果

- 图形以全尺寸显示。
- 自动显示 x 轴的比例、
- 垂直导航栏上的 Cursor (光标) 功能被选中。
- 将发出声音
- 要保存扫描，请按 **Options > Store (选项 > 存储)** 符号。

吸光率 / 透射率的时间进程

时间扫描模式用于收集用户指定时间段内的吸光率或透射率数据。可用图形或表显示此数据。

时间进程设置参数

1. 在 Main Menu (主菜单) 中, 按 **Time Course (时间进程)** 模式。
2. 按 **Options (选项)** 配置参数。



表 6 时间扫描选项

选项	说明
更多	显示其他选项
文件夹图标	存储扫描数据
时间和间隔	输入数据收集的总时间和数据点收集之间的时间间隔
λ	输入波长设置
视图表	显示吸光率、透射率或浓度读数。该读数可在收集样品数据后更改
定时器图标	可用作秒表。这有助于确保准确定时分析步骤 (例如, 可确切指定反应时间、等待时间等)。当经过了指定的时间时, 将发出声音。使用定时器不会对读取程序产生影响。
Scale & Units (比例和单位)	比例: 在自动缩放模式下, 会自动调整 y 轴, 以显示整个扫描。 手动缩放模式 允许显示扫描截面。 单位: 选择吸光率或透射率。
发送数据	将数据发送到打印机、计算机或 USB 记忆棒 (A 类)



表 6 时间扫描选项 (续)

选项	说明
读数模式	单个读数: 轻触 Read (读取) 之后, 将显示一个测量结果。 轮转固定器 1 英寸方形: 具有多达 5 个方形比色皿的轮转固定器插件的可选测量。 轮转固定器 1 厘米方形: 具有多达 7 个方形比色皿的轮转固定器插件的可选测量。
调用测量数据	调用已保存的测量数据、波长扫描或时间扫描, 参见 保存、调用、发送和删除数据, 第 178 页 。
仪器设置	仪器的基本数据。

维护

⚠ 小心

生化品对眼部及皮肤具有潜在危险。
只有合格人员才可以执行本手册中描述的任务。

注意

移除仪器中剩余的所有圆形比色皿。按允许的方式处理圆形比色皿管或圆形比色皿内的物品。

更换灯组件

⚠ 危险

电击风险
断开仪器的电源，然后再开始灯更换过程，直到灯更换过程完成。

⚠ 小心

烫伤危险。
请等待灯冷却。触摸仍在散热的灯可能会导致烧伤。

注意

始终通过灯座握住灯。避免触摸玻璃，因为皮肤上的物质会粘在灯泡上，这样会加速灯的老化过程。

故障排除

显示的错误	原因	解决办法
测试执行错误		
未读取条形码标签	条形码有错	重新插入比色皿。 如果无法识别条形码，请联系技术支持部门。
请合上盖子。		合上盖子。
吸光率 > 3.5!	测定的吸光率超过 3.5	将样品稀释并重试
条形码检验编号出错? 请更新程序数据!	偏离存储数据	更新程序数据
建议执行全面 系统检查	空气值检查失败	关闭仪器，然后重新打开。如果系统检查不成功，请联系技术支持部门。
不能进行空白更正!	不能用 LCW919 进行空白更正!	
无法访问故障程序。 请更新程序数据!	条形码测试不存在	更新程序数据
故障 清洁试管!	试管脏或试管中有未溶解颗粒	清洁试管；使颗粒沉淀
故障 测试程序已停止! 请检查灯 关上盖子。 错误 [xx]	测试程序在仪器启动时停止	检查灯，如有必要则进行更换。 合上盖子。 按 Start Again 。
故障 测试程序已停止! 请拆除试管 关上盖子。	测试程序在仪器启动时停止	从隔室中拆除试管 / 样品比色皿。 按 OK (确定) 。

显示的错误	原因	解决办法
错误 自检已停止。 硬件错误。 错误 [x]	电子线路缺陷	请与技术支持人员联系并指出错误编号
错误 环境光线过强！ 将仪器移至遮罩下 或合上盖子	仪器传感器检测到环境光线过强。	调暗环境光线。（避免阳光直射。） 合上盖子。
此程序不提供帮助功能。		
超过保存期限！ 是否使用化学品？		分析可能出错。使用新化学品
无计算值！	测试数据库 / 用户数据库出错	检查编程 请联系技术支持部门
没有条形码！	找不到条形码	重新插入比色皿。 如果无法识别条形码，请联系技术支持部门。
输入项无效！	密码不正确	忘记密码？ 请联系技术支持部门。
这些参数的数据无效！	无法进行数据分析，没有测量数据	更改选择。
找不到有效数据！	无法在数据日志中查看数据	更改选择。
帮助功能不存在。		
测量数据不存在！	无法在没有测量数据时配置数据分析设置	更改选择。
未达到控制范围！	未达到数据分析限值	这是一则警示。未达到控制极限集。
已超过控制范围！	已超过数据分析限值。	这是一则警示。已超过控制限值。
浓度太高！	计算的浓度高于 999999	将样品稀释并重试

显示的错误	原因	解决办法
超过测量范围	测定吸光率高于测试的校准范围	将样品稀释并重试
低于测量范围	测定吸光率低于测试的校准范围	如果可能，请选择具有较低读数范围的测试或使用具有较长通道长度的试管
可能存在的干扰源：	干扰检查	分析可能由于干扰而出错。
可能存在的干扰形式：	干扰检查	分析可能由于干扰而出错。
下一次检查到期！		请联系技术支持部门检查仪器。
负结果！	计算的结果为负数	检查样品浓度
光照条件不稳定！		避免阳光直射到测量位置。
系统检查错误！	空气值测量失败	关闭仪器，然后重新打开。如果系统检查不成功，请联系技术支持部门。
温度太高。 无法测量！		关闭仪器，让仪器冷却几分钟。如有必要，请将仪器转移到凉爽的位置。
更新错误		
上载仪器数据时出错。		再次开始该过程或联系技术支持部门。
读取 U 盘时出错。		再次开始该过程或联系技术支持部门。
写入 U 盘时出错。		再次开始该过程或联系技术支持部门。
请检查当前的更新文件。	更新时出错。	检查 U 盘。
请联系客户服务部门。	更新时出错。	
请插入 U 盘。		将 U 盘插入仪器上的 USB A 端口。

显示的错误	原因	解决办法
缺少用于仪器更新的文件。	更新时出错。	检查 U 盘。
用于仪器更新的文件出错。	更新时出错。	再次保存更新文件并重复此过程。
从 U 盘进行复制时出错。	更新期间出错。	再次开始该过程或联系技术支持部门。
仪器备份不存在！		检查 U 盘。
空间不足，无法更新。	更新时出错。	选择有更多空间的存储器。
更新文件错误。	更新时出错。	再次保存更新文件并重复此过程。
U 盘未连接。	无法更新。	检查 U 盘。
网络连接错误		
请检查网络配置。		
请检查连接。		
请检查连接并与管理员联系。	网络设置或 FTP 错误	
调用本地 IP 地址时出错。	网络设置：DHCP 客户端未与 DHCP 服务器连接	再次输入 IP 地址。
在默认网关设置过程中出错。	网络设置：无法为固定 IP 地址设置默认网关	重试建立连接。
网络驱动器设置期间出错！	网络设置期间出错！ 目标目录不存在。	检查设置。 定义目标目录。
子网掩码设置期间出错。	网络设置：无法为固定 IP 地址设置子网掩码	再次输入子网掩码。
FTP 连接错误。	FTP 错误	确保已将仪器连接到网络。
网络关闭。	通过侧边栏访问仪器主页时，网络设置 将关闭	激活在线连接。

显示的错误	原因	解决办法
无法连接远程服务器。	网络设置期间出错！	确保已将仪器连接到网络。 不接受 DR 6000 的固定地址。
无法访问远程服务器！	不接受 DR 6000 的固定地址。 输入的服务器名称不正确。	切换到 Automatic（自动）。 输入正确的服务器名称。
无法访问 Web 服务器。	无法访问仪器主页。	稍后重试连接。

更换部件

说明	产品目录号：
卤钨灯	A23778
氙灯	A23792
通用比色皿适配器	LZV902.99.0002 0
EU 电源线	YAA080
CH 电源线	XLH051
英国标准电源线	XLH057
US 电源线	1801000
中国 / 澳大利亚标准电源线	XLH069
保险丝	A23772
滤板	LZV915
防尘盖	LZV886
USB 接口保护	LZV881

www.hach.com

www.hach-lange.com

